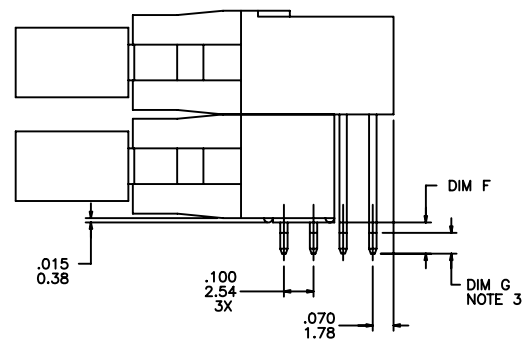
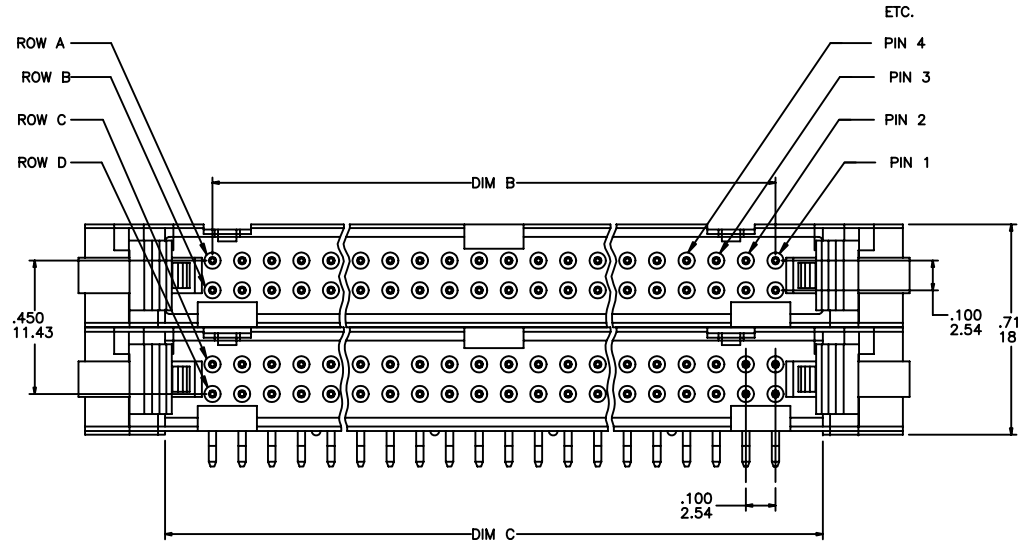
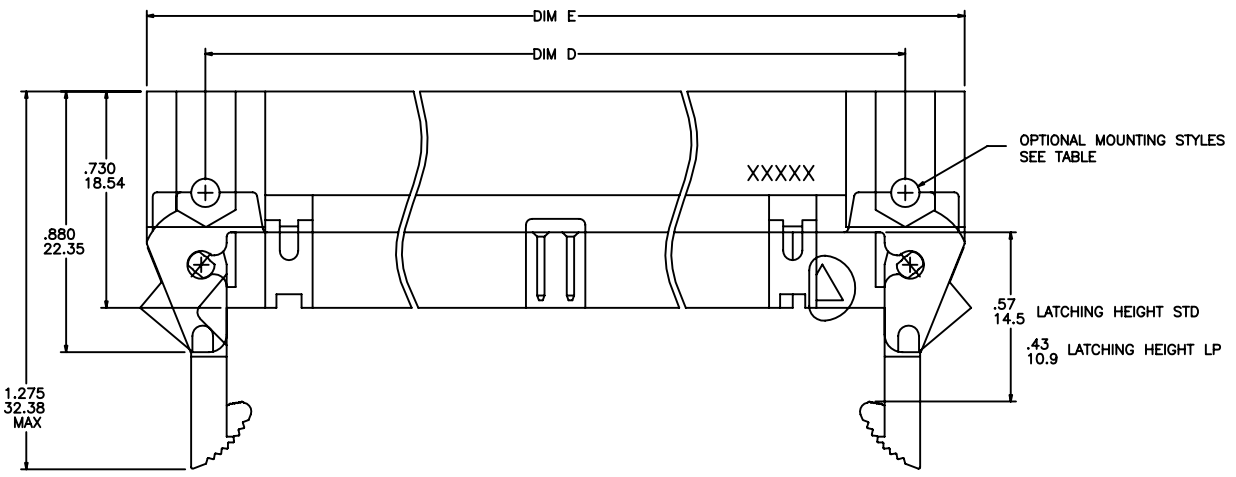


PRODUCT NUMBER
SEE TABLE



NOTES:

1. MOLDING MATERIAL: THERMOPLASTIC FLAME RETARDANT PER UL 94V-0, COLOR:BLUE;
2. PIN MATERIAL: PHOSPHOR BRONZE PLATING - SEE TABLE;
3. MIN Sn PLATING HEIGHT ON TAIL-SEE TABLE;
- ④. NO LATCH;
5. THE P/N WITH "LF" SUFFIX (87061-***LF) IS LEAD FREE PART NUMBER;
6. THE PACKAGING FOR THE LEAD FREE P/N MEETS GS-14-920 SPECIFICATION;
7. FOR LEAD FREE P/N THE PRODUCT MEETS EUROPEAN UNION DIRECTIVES AND OTHER COUNTRYREGULATION AS DESCRIBED IN GS-22-008;
8. FOR LEAD FREE P/N, THE HOUSING WILL WITHSTAND EXPOSURE TO 260 DEGREE C FOR 10 SECONDS IN A WAVE SOLDER APPLICATION.
9. PLATING OPTION: MAYBE EITHER GOLD OR GXT PLATING AT MANUFACTURER'S OPTION.

mat'l. code				tolerances unless otherwise specified		CUSTOMER COPY	 www.fciconnect.com
ltr	ecn no	dr	date	linear	.00±.01/.0±.3		
F	V94459	DAI	1/10/00		.xxx ±.005/.00±.13	projection	title
G	V00506	DAI	2/2/00		.xxxx ±.0020/.000±.051		HDR., QKE SEA-HORSE
H	V00894	EPK	4/27/00	angles	σ ±z'	INCH/MM	STACKED 4 WALL
J	V01384	DLW	6/8/00	dr	R.SEIPLE	4/3/90	product family QUICKIE
K	V03-0349	GJP	03/24/03	enrg	M.SMYK	4/3/90	code
L	N05-0384	DT	11/22/05	chr	M.SMYK	4/3/90	NAN
M	N07-0151	WG	8/02/07	appd	M.SMYK	4/3/90	size
sheet	revision	M	M	M			dwg no
index	sheet	1	2	3			87061
							scale
							1:1
							A

Tous droits strictement reserves. Reproduction ou communication a des tiers interdite sous quelque forme que ce soit sans autorisation ecrite au propriétaire. Propriete de c FCI. Droits de reproduction FCI.



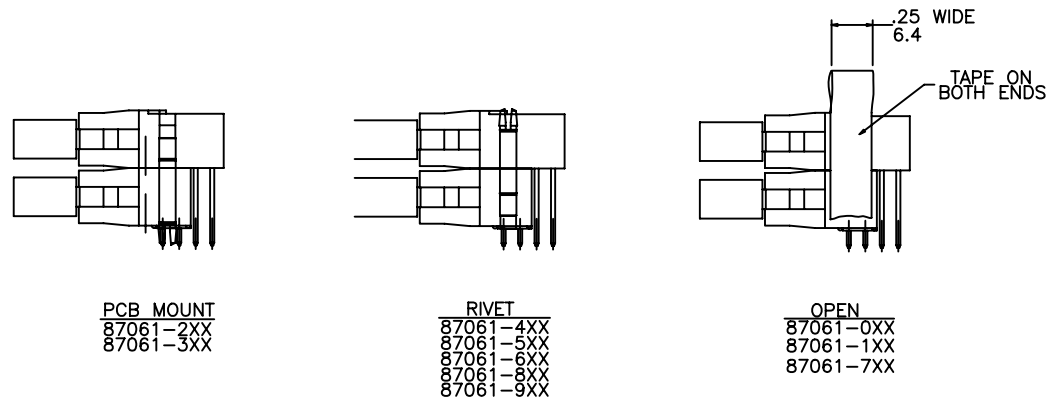
All rights strictly reserved. Reproduction on issue to third parties in any form whatever is not permitted without written authority from the proprietor. Property of FCI. Copyright FCI.

Tous droits strictement réservés. Reproduction ou communication à des tiers interdite sous quelque forme que ce soit sans autorisation écrite au propriétaire. Propriété de c FCI. Droits de reproduction FCI.

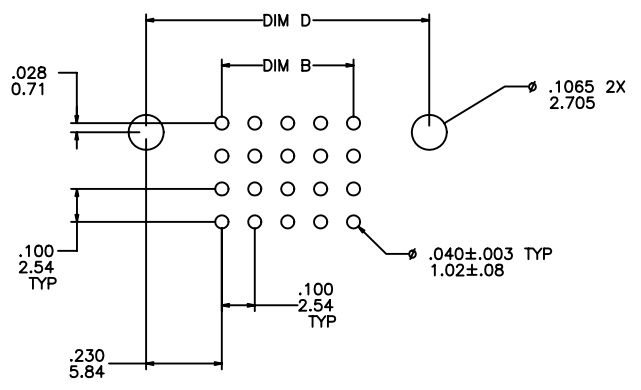
All rights strictly reserved. Reproduction or issue to third parties in any form whatever is not permitted without written authority from the proprietor. Property of FCI. Copyright FCI.



KEY	CONTACT PLATING (NOTE 9)	PIN SHAPE	MOUNTING STYLE SEE BELOW	LATCHES	DIM F TAIL LENGTH	DIM G TAIL PLATING LENGTH	TAIL PLATING
-0XX/0XXLF	30u"/.76" Au OVER 50u"/1.27u Ni	RND	OPEN W/TAPE	STD	.105/2.67	.07/1.8	40u"1.02u TIN OVER 50u"/1.27u Ni
-1XX/1XXLF	30u"/.76u GXT	RND					
-2XX/2XXLF	30u"/.76" Au OVER 50u"/1.27u Ni	RND	PCB MOUNT	NO	.090/2.29		
-2XXA/2XXALF	30u"/.76" Au OVER 50u"/1.27u Ni	RND	PCB MOUNT	NO	.090/2.29		
-3XX/3XXLF	30u"/.76u GXT	SQ	PCB MOUNT	STD	.105/2.67		
-4XX/4XXLF	30u"/.76" Au OVER 50u"/1.27u Ni	SQ	RIVET				
-5XX/5XXLF	30u"/.76u GXT	SQ		RIVET	LP	.105/2.67	
-6XX/6XXLF	30u"/.76u GXT	RND	OPEN W/TAPE				
-7XX/7XXLF	30u"/.76u GXT	RND		RIVET	LP	.105/2.67	
-8XX/8XXLF	30u"/.76" Au OVER 50u"/1.27u Ni	RND	RIVET				
-9XX/9XXLF	30u"/.76u GXT	RND		RIVET	NO	.105/2.67	



MOUNTING STYLES



RECOMMENDED HOLE PATTERN
SCALE 2:1

mat'l. code				tolerances unless otherwise specified		CUSTOMER COPY		www.fciconnect.com		
ltr	ecn no	dr	date	linear	.00±.01/.0±.3		projection	title		
M					.xxx ±.005/.00±.13				HDR., QKE SEA-HORSE	
				angles	.xxx ±.0020/.000±.051		INCH/MM		STACKED 4 WALL	
				dr	R.SEIPLE	4/3/90		scale	product family	QUICKIE
				enfr	M.SMYK	4/3/90	size		dwg no	
				chr	M.SMYK	4/3/90	A		87061	code
				appd	M.SMYK	4/3/90			1:1	NAN
sheet index	revision sheet								sheet 2 of	

Tous droits strictement réservés. Reproduction ou communication à des tiers interdite sous quelque forme que ce soit sans autorisation écrite du propriétaire. Propriété de c FCI. Droits de reproduction FCI.



All rights strictly reserved. Reproduction or issue to third parties in any form whatever is not permitted without written authority from the proprietor. Property of FCI. Copyright FCI.

PRODUCT NUMBER	SIZE	DIM B	DIM C	DIM D	DIM E	OMIT PINS
87061-X05/X05LF	4X5	.400/10.16	.720/18.29	.860/21.84	1.260/32.00	
-X07/X07LF	4X7	.600/15.24	.920/23.37	1.060/26.92	1.460/37.08	
-X08/X08LF	4X8	.700/17.78	1.020/25.91	1.160/29.46	1.560/39.62	
-X10/X10LF	4X10	.900/22.86	1.220/30.99	1.360/34.54	1.760/44.70	
-X12/X12LF	4X12	1.100/27.94	1.420/36.07	1.560/41.91	1.960/49.78	
-X13/X13LF	4X13	1.200/30.48	1.520/38.61	1.660/42.16	2.060/52.32	
-X15/X15LF	4X15	1.400/35.56	1.720/43.69	1.860/47.24	2.260/57.40	
-X17/X17LF	4X17	1.600/40.64	1.920/48.77	2.060/52.32	2.460/62.48	
-X20/X20LF	4X20	1.900/48.26	2.220/56.38	2.360/59.94	2.760/70.10	
-X21/X21LF	4X20	1.900/48.26	2.220/56.38	2.360/59.94	2.760/70.10	A-11,C-11
-X22/X22LF	4X22	2.100/53.34	2.420/61.47	2.560/65.02	2.960/75.18	
-X25/X25LF	4X25	2.400/60.96	2.720/69.09	2.860/72.64	3.260/82.80	
-X30/X30LF	4X30	2.900/73.66	3.220/81.79	3.360/85.34	3.760/95.50	
-223/223LF	4X20	1.900/48.26	2.220/56.38	2.360/59.94	2.760/70.10	B-10,D-10
87061-331/331LF	4X20	1.900/48.26	2.220/56.38	2.360/59.94	2.760/70.10	

NOTE 4
NOTE 4

mat'l. code				tolerances unless otherwise specified			CUSTOMER COPY		FCJ www.fciconnect.com	
ltr	ecn no	dr	date	linear	.00±.01/.0±.3		projection ⊕ ↗	title HDR., QKE SEA-HORSE STACKED 4 WALL		
M					.xxx ±.005/.00±.13					
					.xxxx ±.0020/.000±.051					
				angles	α ±2'		INCH/MM ↔	product family QUICKIE		code
				dr	R.SEIPLE	4/3/90		size		NAN
				enr	M.SMYK	4/3/90		dwg no		sheet
				chr	M.SMYK	4/3/90		A		3 of
				appd	M.SMYK	4/3/90		87061		
sheet index	revision sheet						scale	1:1		

ACAD

PDM: Rev:M

STATUS: Released

Printed: Apr 12, 2011

Mouser Electronics

Authorized Distributor

Click to View Pricing, Inventory, Delivery & Lifecycle Information:

[FCI / Amphenol:](#)

[87061-408LF](#) [87061-305LF](#) [87061-520LF](#) [87061-617](#) [87061-213LF](#) [87061-220LF](#) [87061-310LF](#) [87061-320LF](#)
[87061-325LF](#) [87061-330LF](#) [87061-617LF](#) [87061-510](#) [87061-405LF](#) [87061-408](#) [87061-605LF](#) [87061-705LF](#) [87061-](#)
[805LF](#) [87061-808LF](#) [87061-817LF](#) [87061-825LF](#) [87061-225LF](#) [87061-425LF](#) [87061-217LF](#)