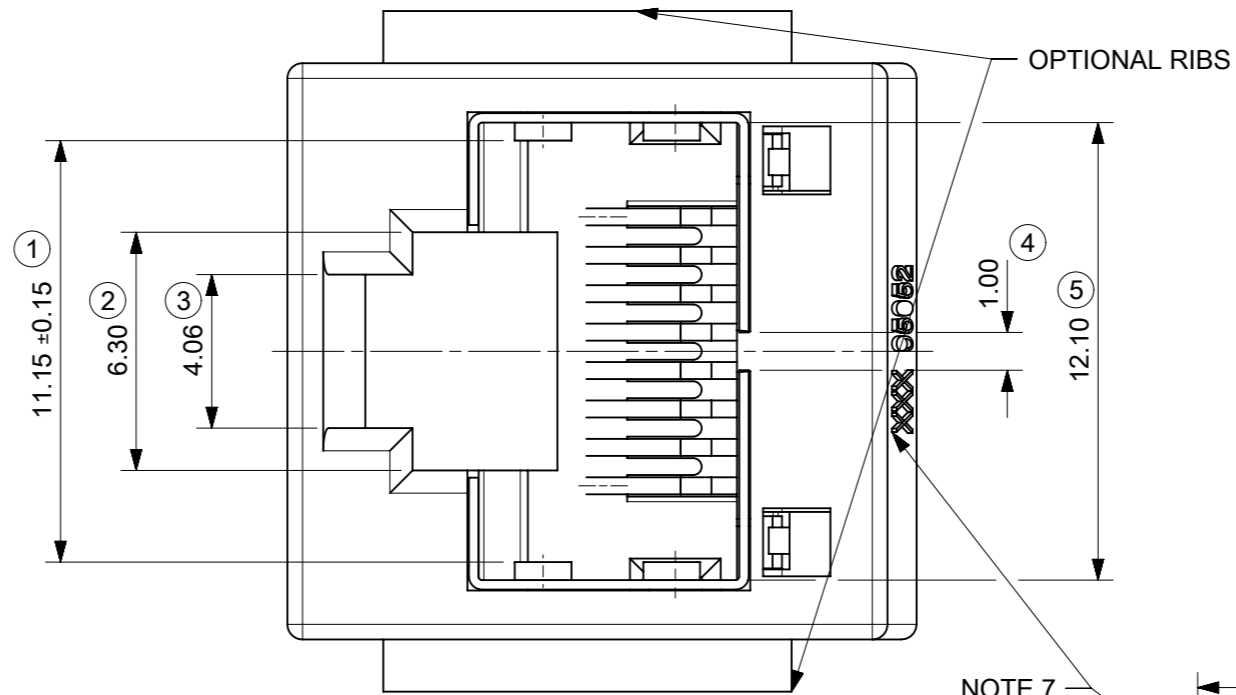
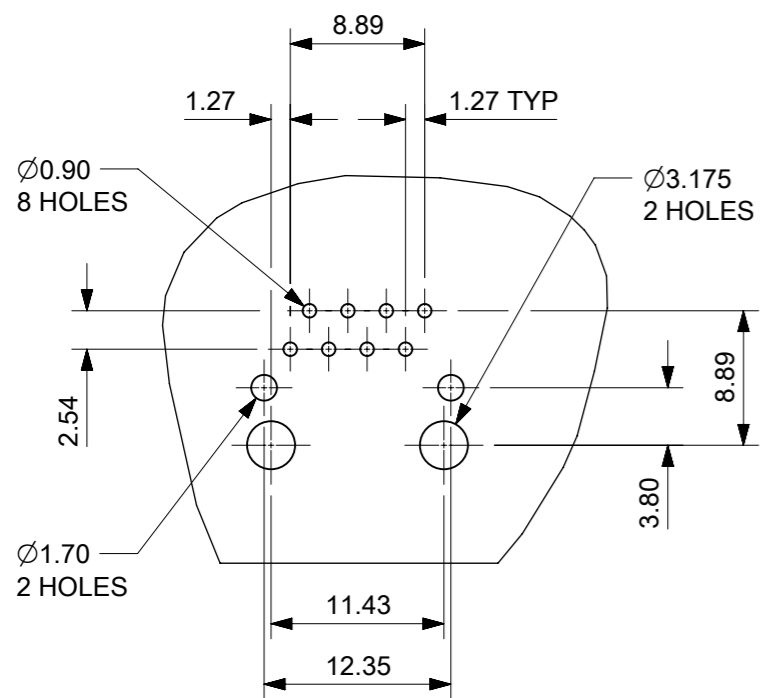
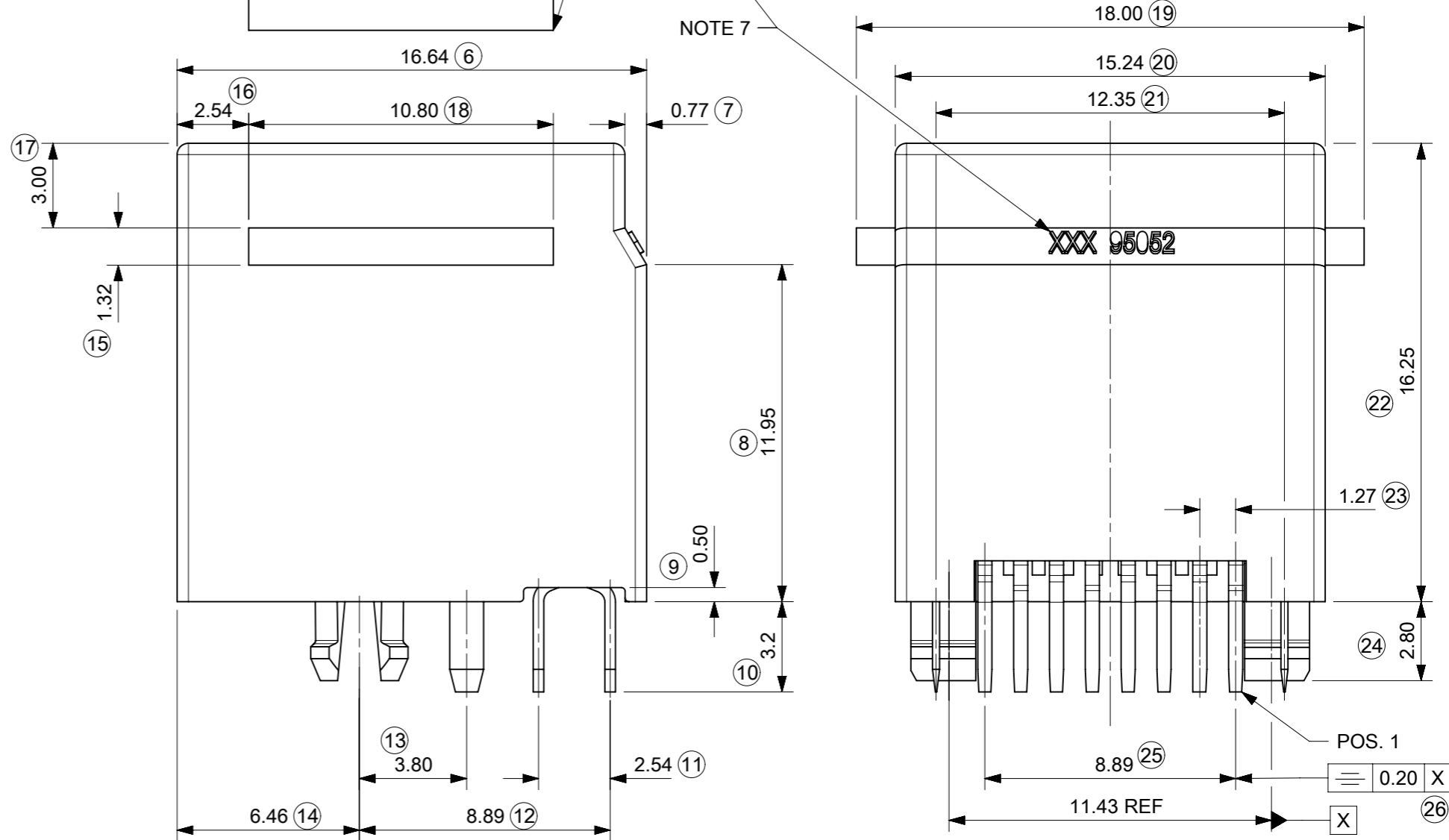


NOTES:

- MATERIAL: HOUSING: LCP GLASS FILLED UL 94-V0  
COLOUR: BLACK  
TERMINAL: COPPER ALLOY,  
BASE FINISH: NICKEL  
CONTACT SURFACE FINISH:  
GOLD,  
OR  
GOLD FLASH OVER PALLADIUM NICKEL.  
EXCEEDS PRODUCT REQUIREMENTS BASED ON PS-95552-001  
SHIELD: COPPER ALLOY PLATED WITH TIN .
- JACK FOR MATING WITH IEC 60603-7 AND TIA-1096-A PLUG  
MOLEX 95043 SERIES
- P.C. BOARD THICKNESS: 1.57
- PRODUCT SPECIFICATION: PS-95552-001
- APPLICATION SPECIFICATION: AS-85513-001
- PACKAGING SPECIFICATION: PK-95022
- MANUFACTURING I.D. CAN BE EITHER MG, MXF, MXI OR MXCH.
- LAST INSPECTION NUMBER: 26



ENG. NO.	HSG SIZE	LOADED CKTS	WITH RIBS	TOOLED
95552-2887	8	8	YES	YES



P.C.B. MOUNTING PATTERNS  
(SCALE 2:1)  
VIEW FROM COMPONENT SIDE  
ALL DIMENSIONS REFERENCE ONLY

THIS DRAWING CONTAINS INFORMATION THAT IS PROPRIETARY TO MOLEX ELECTRONIC TECHNOLOGIES, LLC AND SHOULD NOT BE USED WITHOUT WRITTEN PERMISSION																																																																																							
DIMENSION UNITS <b>mm</b>		SCALE <b>5:1</b>		CURRENT REV DESC: REMASTERED USING 3D MODELS																																																																																			
GENERAL TOLERANCES (UNLESS SPECIFIED)				<table border="0"> <tr> <td colspan="2"><b>molex</b></td> <td colspan="4" rowspan="2">TOP ENTRY SHIELDED JACK W.E. TYPE</td> </tr> <tr> <td colspan="2">ANGULAR TOL ± 2.0°</td> </tr> <tr> <td>4 PLACES ±</td> <td>EC NO: 686853</td> <td colspan="4" rowspan="3"> <table border="0"> <tr> <td>DRWN: AKUMAR19</td> <td>2021/08/13</td> </tr> <tr> <td>CHK'D: KLANG</td> <td>2022/01/13</td> </tr> <tr> <td>APPR: KLANG</td> <td>2022/01/13</td> </tr> </table> </td> </tr> <tr> <td>3 PLACES ±</td> <td>INITIAL REVISION:</td> <td colspan="4" rowspan="2"> <table border="0"> <tr> <td>DRWN: DBYRNES</td> <td>2007/04/02</td> </tr> <tr> <td>APPR: EOMAHONY</td> <td>2007/04/04</td> </tr> </table> </td> </tr> <tr> <td>2 PLACES ± 0.25</td> <td>DRWN: DBYRNES</td> <td colspan="4"> <table border="0"> <tr> <td>DOCUMENT NUMBER</td> <td>DOC TYPE</td> <td>DOC PART</td> <td>REVISION</td> </tr> <tr> <td><b>SD-95552-001</b></td> <td>PSD</td> <td>001</td> <td><b>F2</b></td> </tr> </table> </td> </tr> <tr> <td>1 PLACE ± 0.35</td> <td>APPR: EOMAHONY</td> <td colspan="4"> <table border="0"> <tr> <td>MATERIAL NUMBER</td> <td>CUSTOMER</td> <td colspan="2">SHEET NUMBER</td> </tr> <tr> <td>SEE CHART</td> <td>GENERAL MARKET</td> <td colspan="2">1 OF 1</td> </tr> </table> </td> </tr> <tr> <td>0 PLACES ±</td> <td>DRAFT WHERE APPLICABLE MUST REMAIN WITHIN DIMENSIONS</td> <td colspan="2">THIRD ANGLE PROJECTION</td> <td colspan="2">DRAWING</td> <td colspan="2">SERIES</td> <td colspan="2">MATERIAL NUMBER</td> </tr> <tr> <td colspan="2"></td> <td colspan="2"> </td> <td colspan="2">A3-SIZE</td> <td colspan="2">95552</td> <td colspan="2">SEE CHART</td> </tr> </table>						<b>molex</b>		TOP ENTRY SHIELDED JACK W.E. TYPE				ANGULAR TOL ± 2.0°		4 PLACES ±	EC NO: 686853	<table border="0"> <tr> <td>DRWN: AKUMAR19</td> <td>2021/08/13</td> </tr> <tr> <td>CHK'D: KLANG</td> <td>2022/01/13</td> </tr> <tr> <td>APPR: KLANG</td> <td>2022/01/13</td> </tr> </table>				DRWN: AKUMAR19	2021/08/13	CHK'D: KLANG	2022/01/13	APPR: KLANG	2022/01/13	3 PLACES ±	INITIAL REVISION:	<table border="0"> <tr> <td>DRWN: DBYRNES</td> <td>2007/04/02</td> </tr> <tr> <td>APPR: EOMAHONY</td> <td>2007/04/04</td> </tr> </table>				DRWN: DBYRNES	2007/04/02	APPR: EOMAHONY	2007/04/04	2 PLACES ± 0.25	DRWN: DBYRNES	<table border="0"> <tr> <td>DOCUMENT NUMBER</td> <td>DOC TYPE</td> <td>DOC PART</td> <td>REVISION</td> </tr> <tr> <td><b>SD-95552-001</b></td> <td>PSD</td> <td>001</td> <td><b>F2</b></td> </tr> </table>				DOCUMENT NUMBER	DOC TYPE	DOC PART	REVISION	<b>SD-95552-001</b>	PSD	001	<b>F2</b>	1 PLACE ± 0.35	APPR: EOMAHONY	<table border="0"> <tr> <td>MATERIAL NUMBER</td> <td>CUSTOMER</td> <td colspan="2">SHEET NUMBER</td> </tr> <tr> <td>SEE CHART</td> <td>GENERAL MARKET</td> <td colspan="2">1 OF 1</td> </tr> </table>				MATERIAL NUMBER	CUSTOMER	SHEET NUMBER		SEE CHART	GENERAL MARKET	1 OF 1		0 PLACES ±	DRAFT WHERE APPLICABLE MUST REMAIN WITHIN DIMENSIONS	THIRD ANGLE PROJECTION		DRAWING		SERIES		MATERIAL NUMBER						A3-SIZE		95552		SEE CHART	
<b>molex</b>		TOP ENTRY SHIELDED JACK W.E. TYPE																																																																																					
ANGULAR TOL ± 2.0°																																																																																							
4 PLACES ±	EC NO: 686853	<table border="0"> <tr> <td>DRWN: AKUMAR19</td> <td>2021/08/13</td> </tr> <tr> <td>CHK'D: KLANG</td> <td>2022/01/13</td> </tr> <tr> <td>APPR: KLANG</td> <td>2022/01/13</td> </tr> </table>								DRWN: AKUMAR19	2021/08/13	CHK'D: KLANG	2022/01/13	APPR: KLANG	2022/01/13																																																																								
DRWN: AKUMAR19	2021/08/13																																																																																						
CHK'D: KLANG	2022/01/13																																																																																						
APPR: KLANG	2022/01/13																																																																																						
3 PLACES ±	INITIAL REVISION:	<table border="0"> <tr> <td>DRWN: DBYRNES</td> <td>2007/04/02</td> </tr> <tr> <td>APPR: EOMAHONY</td> <td>2007/04/04</td> </tr> </table>				DRWN: DBYRNES	2007/04/02	APPR: EOMAHONY	2007/04/04																																																																														
DRWN: DBYRNES	2007/04/02																																																																																						
APPR: EOMAHONY	2007/04/04																																																																																						
2 PLACES ± 0.25	DRWN: DBYRNES	<table border="0"> <tr> <td>DOCUMENT NUMBER</td> <td>DOC TYPE</td> <td>DOC PART</td> <td>REVISION</td> </tr> <tr> <td><b>SD-95552-001</b></td> <td>PSD</td> <td>001</td> <td><b>F2</b></td> </tr> </table>				DOCUMENT NUMBER	DOC TYPE	DOC PART	REVISION	<b>SD-95552-001</b>	PSD	001	<b>F2</b>																																																																										
DOCUMENT NUMBER	DOC TYPE	DOC PART	REVISION																																																																																				
<b>SD-95552-001</b>	PSD	001	<b>F2</b>																																																																																				
1 PLACE ± 0.35	APPR: EOMAHONY	<table border="0"> <tr> <td>MATERIAL NUMBER</td> <td>CUSTOMER</td> <td colspan="2">SHEET NUMBER</td> </tr> <tr> <td>SEE CHART</td> <td>GENERAL MARKET</td> <td colspan="2">1 OF 1</td> </tr> </table>				MATERIAL NUMBER	CUSTOMER	SHEET NUMBER		SEE CHART	GENERAL MARKET	1 OF 1																																																																											
MATERIAL NUMBER	CUSTOMER	SHEET NUMBER																																																																																					
SEE CHART	GENERAL MARKET	1 OF 1																																																																																					
0 PLACES ±	DRAFT WHERE APPLICABLE MUST REMAIN WITHIN DIMENSIONS	THIRD ANGLE PROJECTION		DRAWING		SERIES		MATERIAL NUMBER																																																																															
				A3-SIZE		95552		SEE CHART																																																																															