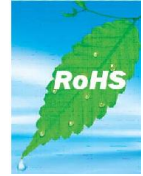


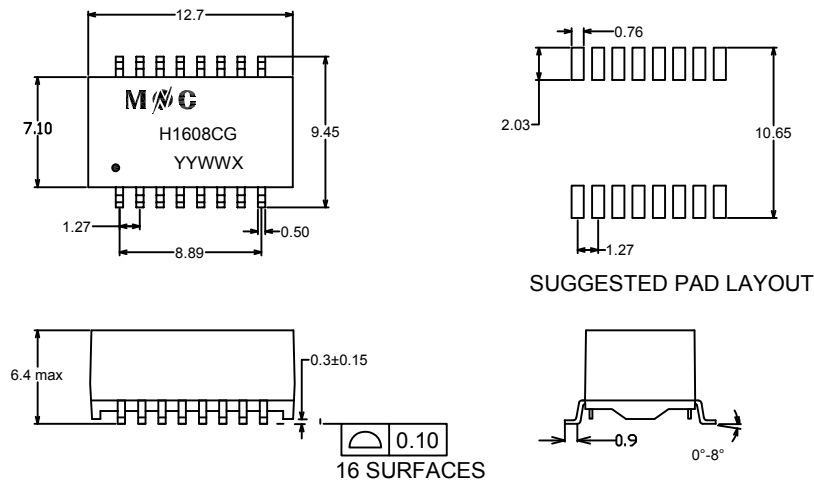
- Meets IEEE 802.3 & ANSI X3.263 Standards.
- RoHS Compliant.
- 10/100 Base-T, Surface Mount Type, Open Header .
- Operating temperature range: 0 °C to +70 °C



Electrical Specifications @25°C

Part Number	OCL(uH Min) @100KHz,0.2V With 8mA DC Bias	Turns Ratio (±5%)	Insertion Loss (dB Max)		Return Loss (dB Min)			Cross talk (dB Min)		DCMR (dB Min)	HI-POT (Vrms)
			0.5-100MHz	0.5-30MHz	30.1-60MHz	60.1-80MHz	0.5-40MHz	40.1-100MHz	5-200MHz		
H1608CG	350	1CT:1CT	-1.1	-18	-18+20*log(f/30)	-12	-35	-33+20*log(f/50)	-50+17*log(f/5)	1500	

MECHANICAL



Unless otherwise specified all tolerances are:±0.25 in mm

SCHEMATICS

