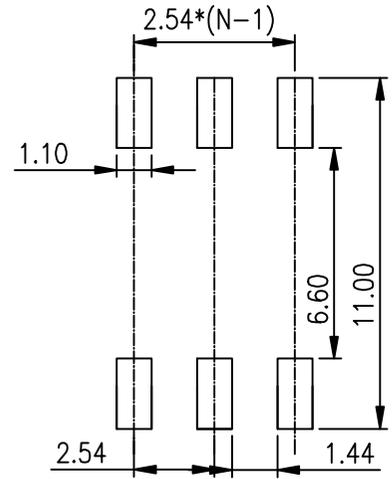
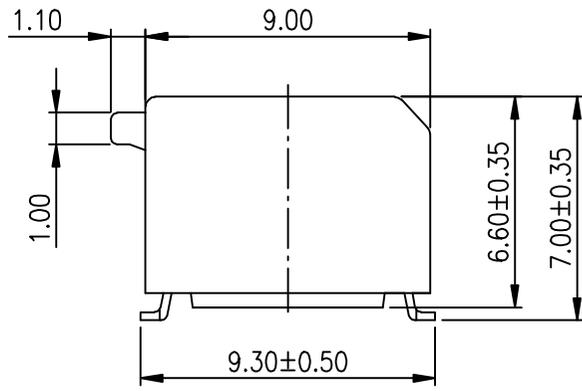
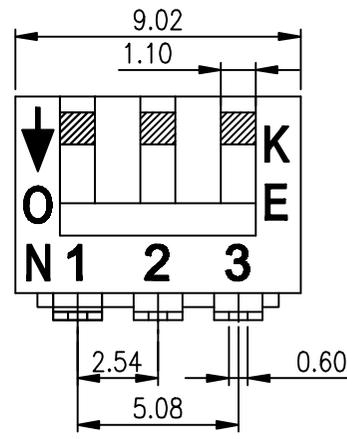
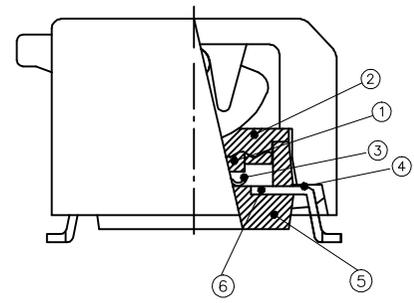


1		2		3		4		5		6	
PRODUCT NO.	RoHS compliant							REV.	ECN NO.	DR	DATE
DSPV03LSGET											



RECOMMENDED P.C.B. LAYOUT (TOP VIEW)

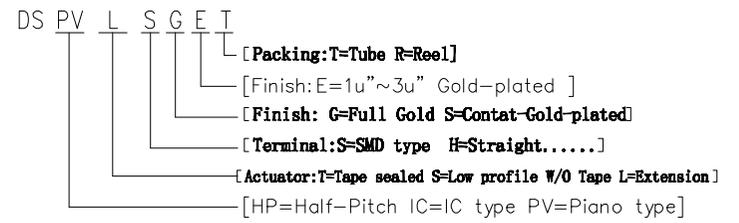


NOTES : 1.Specification:
 1>.Operating force:1000gf Max
 2>.Operating Temperature:-40° to +85°
 3>.Storage Temperature: -40° to +85°
 4>.Mechanical Life:3000cycles minimum
 5>.Electrical Life:2000cycles minimum

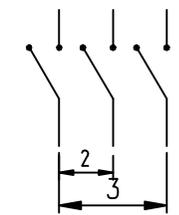
2. PLATING:
 GOLD FLASH 1u"~2u" SOLDERTAIL,
 1u"~3u" GOLD PLATING ON THE CONTACT AREA,
 WITH 50u" NICKEL UNDERPLATING OVERALL.

3. CONTACT RATING:
 1.SWITCHING:25mA at 24VDC
 2.NON-SWITCHING:100mA at 50VDC
 WITH 50u" NICKEL UNDERPLATING OVERALL.

4. PART NUMBER DESCRIPTION :



[Schematic]



Number	Part Name	Material	Finished	TOLERANCE UNLESS OTHERWISE SPECIFIED		INSPECTION COPY
				LINER	ANGLES	
①	Actuator	UL94 V0	White	.0 ± 0.25	0. ± 2'	PROJECTION 03/20/12' DESIGN kathy DRAWING CHECK APPRO.
②	Cover	UL94 V0	Black	.00 ± 0.15	.0 ± 1'	
③	Movable	Copper Alloy	1u"~3u" Gold	.000± 0.10	.00± 0.5'	
④	Terminal	Brass	1u"~2u" Gold			
⑤	Base	UL94 V0	Black			
⑥	Terminal Contact	Brass	1u"~3u" Gold			

ke 东莞市广普实业有限公司
 DongGuan Kingtek Industrial Co., Ltd.

TITLE
 BY DSPV SERIES PITCH 2.54mm
 PRODUCT FAMILY DSPV SERIES
 PRAT NO. DSPV03LSGET
 FILE NO. DSPV03LSGET-A

SIZE	UNIT	SCALE	SHEET	REV.
A4	mm	2 : 1	1 OF 1	A

A | B | C | D

1 | 2 | 3 | 4 | 5 | 6