

B212100N2**

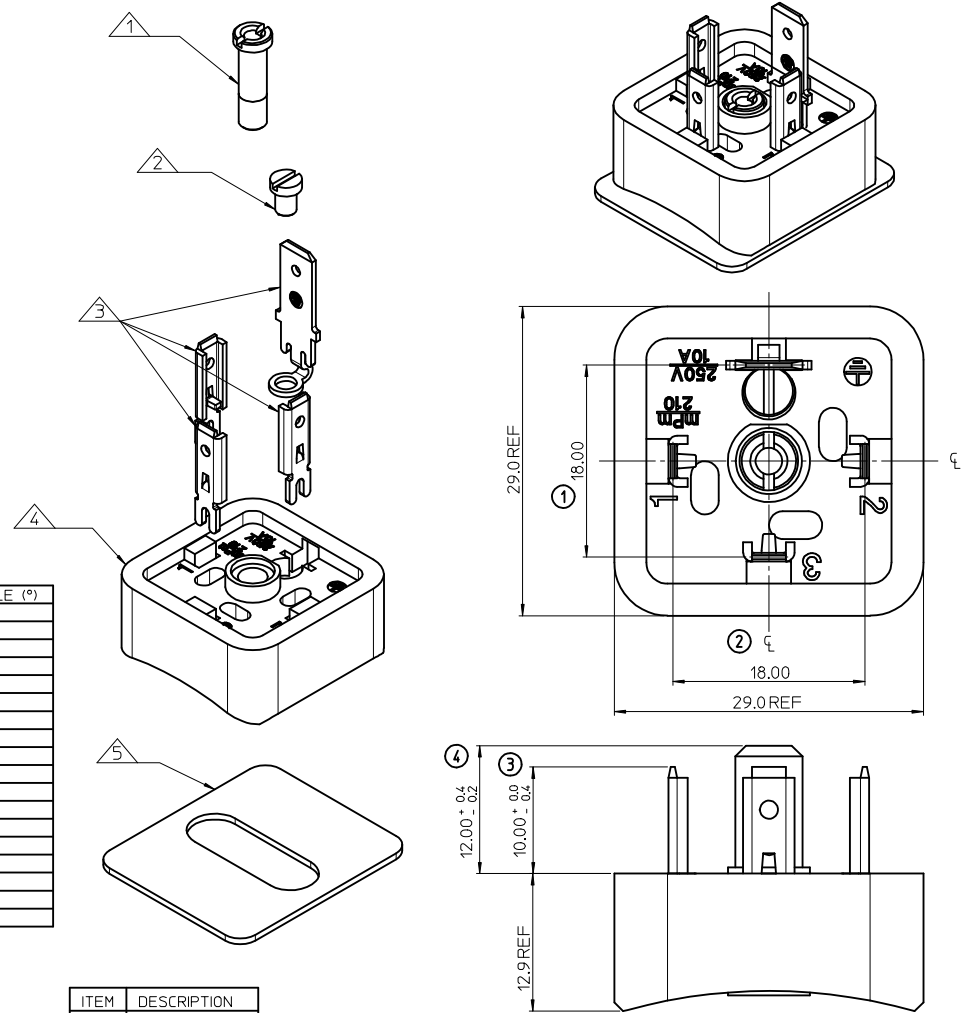
SERIES _____
 B21= FORM A
 POLES _____
 2= 2 POLE & 3= 3 POLE
 CURVED BASE DIAMETER _____
 040= Ø40, 045= Ø45, 050= Ø50, 060= Ø60, 080= Ø80, 100= Ø100, 160= Ø160,
 MATERIAL AND HOUSING COLOUR _____
 G= PA6 GRAY, N= PA6 BLACK, W= PA6 BLACK V0, T= TRANSPARENT
 SCREW AND GASKET _____
 2= NBR FLAT GASKET & SCREWS
 4= SILICON FLAT GASKET & SCREWS
 NON STANDARD COMPONENTS _____
 SA= UL LISTED

NOTES

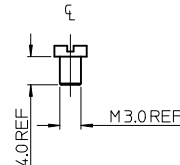
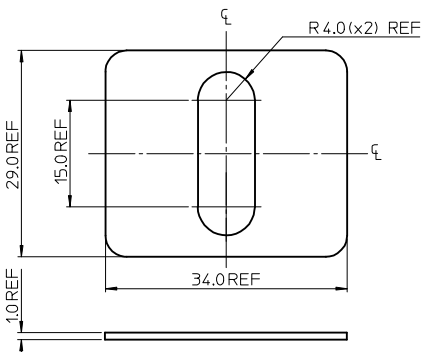
- PLEASE SEE TABLE FOR CURRENTLY CONFIGURED PART NUMBERS.
 FOR SPECIFIC PART NUMBERS PLEASE CONTACT SALES OR CONSULT THE INTELLIGENT PART NUMBERS IN THE TABLE ATTACHED.
- FOR PACKAGING SEE PACKAGING SPEC PK-121013-B21
- PRODUCT SPEC: SEE PS-121201-001
- TERMINALS BENT AFTER INSERTION FOR BEND ANGLE SEE TABLE

LAST INSPECTION NUMBER 4

PART No.	mPm PART No.	DESCRIPTION	TERMINAL BEND ANGLE (°)
1210120025	B212040N2	TYPE A 2P BLACK, Ø40 NBR FLAT GASKET & SCREWS	180
1210120027	B212045N4	TYPE A 2P BLACK, Ø45 SILICON FLAT GASKET & SCREWS	180
1210120029	B212060N2	TYPE A 2P BLACK, Ø60 NBR FLAT GASKET & SCREWS	180
1210120030	B212060N4	TYPE A 2P BLACK, Ø60 SILICON FLAT GASKET & SCREWS	180
1210120032	B212080N2	TYPE A 2P BLACK, Ø80 NBR FLAT GASKET & SCREWS	180
1210120026	B212045N2	TYPE A 2P BLACK, Ø45 NBR FLAT GASKET & SCREWS	180
1210120028	B212050N2	TYPE A 2P BLACK, Ø50 NBR FLAT GASKET & SCREWS	180
1210120045	B213160N2	TYPE A 3P BLACK, Ø160 NBR FLAT GASKET & SCREWS	180
1210120042	B213060N2	TYPE A 3P BLACK, Ø60 NBR FLAT GASKET & SCREWS	180
1210120040	B213050N2	TYPE A 3P BLACK, Ø50 NBR FLAT GASKET & SCREWS	180
1210120033	B212080N4	TYPE A 2P BLACK, Ø80 SILICON FLAT GASKET & SCREWS	180
1210120034	B212100N2	TYPE A 2P BLACK, Ø100 NBR FLAT GASKET & SCREWS	180
1210120036	B212160N2	TYPE A 2P BLACK, Ø160 NBR FLAT GASKET & SCREWS	180
1210120037	B213040N2	TYPE A 3P BLACK, Ø40 NBR FLAT GASKET & SCREWS	180
1210120044	B213100N2	TYPE A 3P BLACK, Ø100 NBR FLAT GASKET & SCREWS	180
1210120141	B212050N4	TYPE A 2P BLACK, Ø50 SILICON FLAT GASKET & SCREWS	180
1210120149	B212160N4	TYPE A 2P BLACK, Ø160 SILICON FLAT GASKET & SCREWS	180
1210120183	B212050W2SA	TYPE A 2P BLACK, Ø50 NBR FLAT GASKET & SCREWS, UL LISTED	180



ITEM	DESCRIPTION
1	INSERT
2	EARTH SCREW
3	TERMINALS
4	HOUSING
5	GASKET



ADDED PART NUMBER EC NO: IFC2014-1836 DRW: NSHEA 2014/04/22 CHKD: SMCREVEY 2014/04/23 APPR: STGERLFIN 2014/05/06	QUALITY SYMBOLS ▽=0 ▽=0	GENERAL TOLERANCES (UNLESS SPECIFIED) <table border="1"> <thead> <tr> <th></th> <th>mm</th> <th>INCH</th> </tr> </thead> <tbody> <tr><td>4 PLACES</td><td>± ---</td><td>± ---</td></tr> <tr><td>3 PLACES</td><td>± ---</td><td>± ---</td></tr> <tr><td>2 PLACES</td><td>± 0.1</td><td>± ---</td></tr> <tr><td>1 PLACE</td><td>± 0.2</td><td>± ---</td></tr> </tbody> </table> ANGULAR ± ---°		mm	INCH	4 PLACES	± ---	± ---	3 PLACES	± ---	± ---	2 PLACES	± 0.1	± ---	1 PLACE	± 0.2	± ---	DIMENSION STYLE MM ONLY	SCALE 3:1	DESIGN UNITS METRIC	THIRD ANGLE PROJECTION
				mm	INCH																
4 PLACES	± ---	± ---																			
3 PLACES	± ---	± ---																			
2 PLACES	± 0.1	± ---																			
1 PLACE	± 0.2	± ---																			
DRAWN BY JOCONNOR 2011/06/22 CHECKED BY DMAHER 2011/06/22 APPROVED BY EFOLAN 2011/07/12	TITLE B21 SERIES BASE	MATERIAL NO. SEE CHART	DOCUMENT NO. SD-121012-004	SHEET NO. 1 OF 1																	

DRAFT WHERE APPLICABLE MUST REMAIN WITHIN DIMENSIONS

THIS DRAWING CONTAINS INFORMATION THAT IS PROPRIETARY TO MOLEX INCORPORATED AND SHOULD NOT BE USED WITHOUT WRITTEN PERMISSION