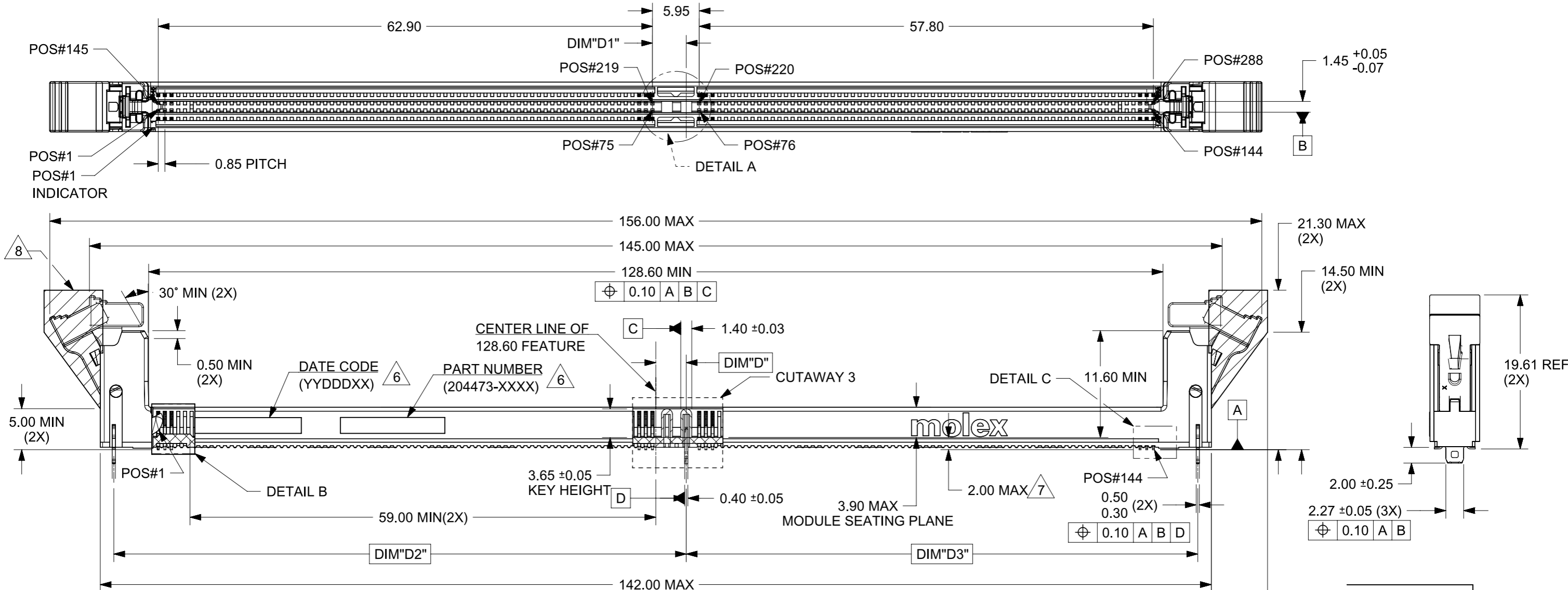
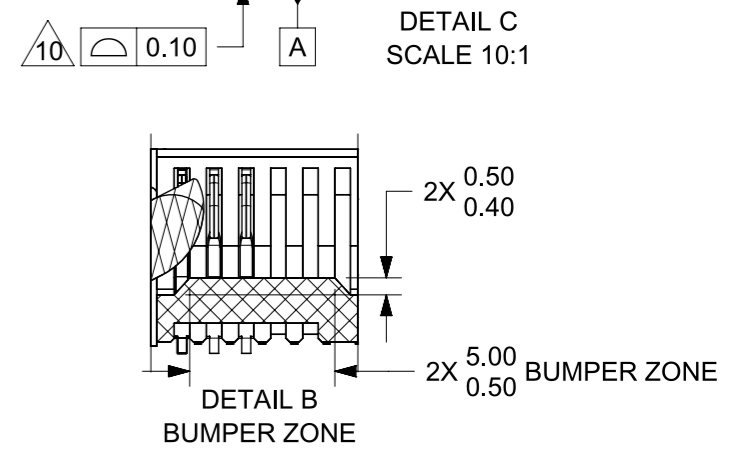
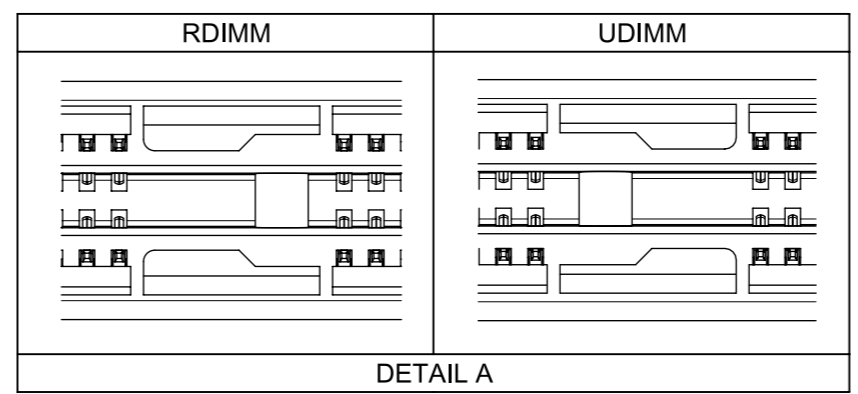


DDR5 288 CKTS CONNECTOR

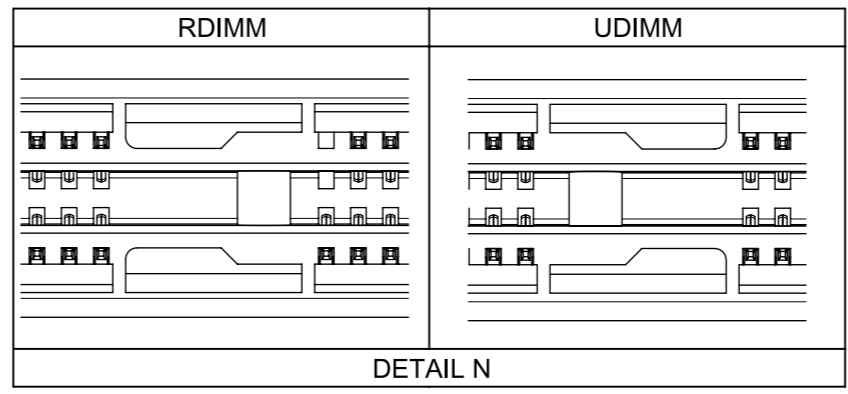
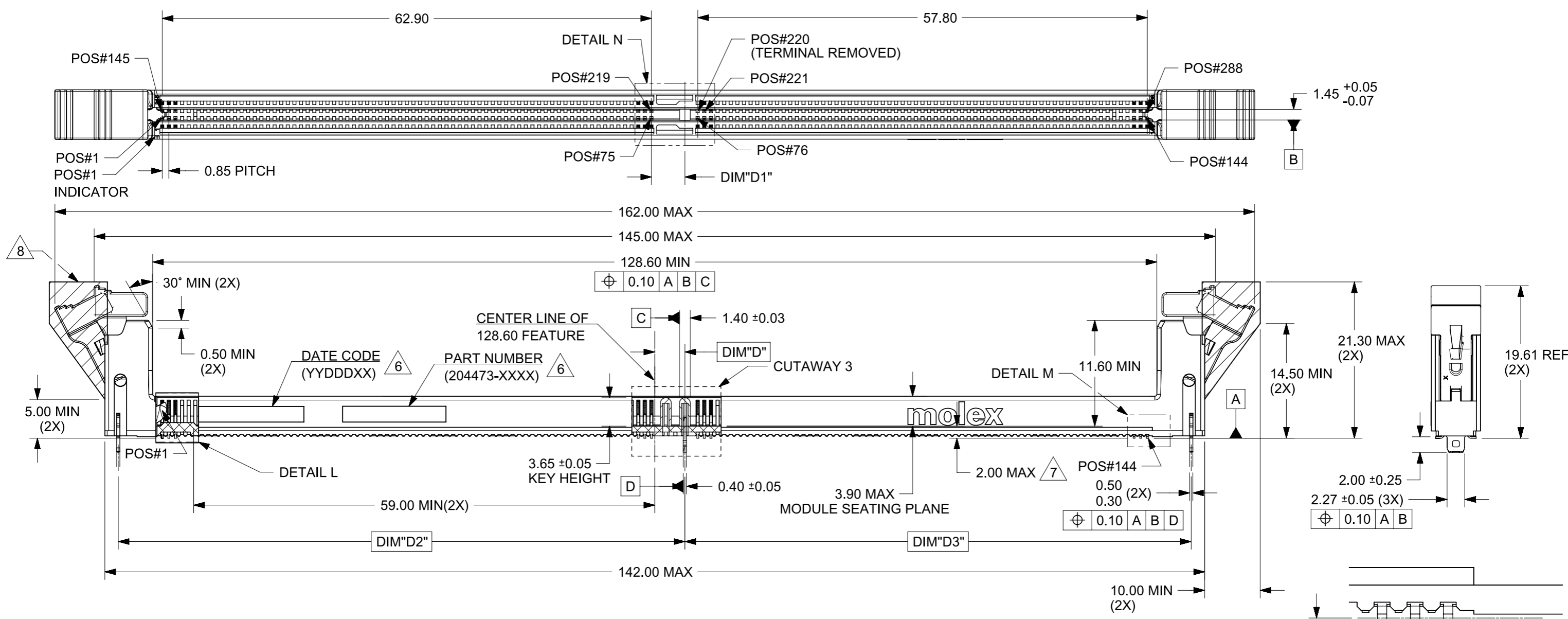


- NOTES:
1. MATERIAL : HOUSING - HALOGEN FREE HIGH TEMP POLYAMIDE, GLASS FILLED, UL94V-0.
COLOUR : SEE TABLE ON SHEET 10, 11 & 12.
LATCH - HALOGEN FREE HIGH TEMP POLYAMIDE, GLASS FILLED, UL94V-0.
COLOUR : SEE TABLE ON SHEET 10, 11 & 12.
TERMINAL : COPPER ALLOY.
METALTAB: COPPER ALLOY.
 2. FINISHES - SEE TABLE ON SHEET 10, 11 & 12.
 3. PRODUCT SPECIFICATION : SEE TABLE ON SHEET 10, 11 & 12.
 4. PACKAGING SPECIFICATION: PRODUCT SHALL BE PACKED IN TRAY, SEE SHEET 10, 11 & 12.
 5. CARD(FOLLOWS MO-329) SLOT ACCEPTS 1.27±0.10MM MODULE THICKNESS (MEASURED OVER P.C. PADS).
 6. MOLEX LOGO, DATE & PART NO. INDICATED ON HOUSING.
 7. MODULE SEATING PLANE.
 8. KEEP OUT ZONE RESERVED FOR LATCH.
 9. KEEP OUT AREA IS THE AREA (2X SHADED AREAS) WHERE THE HIGHT OF COMPONENTS IS LESS THAN 5.00MM.
 10. COPLANARITY MEASUREMENTS ARE MADE BY PLACING THE CONNECTOR ONTO A FLAT STEEL SURFACE.
 11. REFER TO 2044730000-AS FOR CONNECTOR APPLICATION GUIDELINE.
 12. REFER TO 2044730002-AS FOR PCB ROUTING RECOMMENDATIONS.
 13. THE DIMENSION ONLY APPLIES TO THE MODULE AREA AS INDICATED ABOVE THE NOTCH.
 14. KEEP OUT AREA IS THE AREA (5X SHADED AREAS) WHERE THE CONNECTOR IS MOUNTED ON THE PCB. NO OTHER COMPONENTS ALLOWED TO BE ASSEMBLED ON PCB.
 15. NO PASTE AREA IS RESTRICT AREA (4X SHADED AREAS) WHERE PCB MOUNTED WITH STANDOUT, NOT ALLOW ANY SOLDER FROM AREA OF FORKLOCK.



THIS DRAWING CONTAINS INFORMATION THAT IS PROPRIETARY TO MOLEX ELECTRONIC TECHNOLOGIES, LLC AND SHOULD NOT BE USED WITHOUT WRITTEN PERMISSION		CURRENT REV DESC: UPDATE VIEW IN PAGE1&2	
DIMENSION UNITS	SCALE		
MM	NTS		
GENERAL TOLERANCES (UNLESS SPECIFIED)			
ANGULAR TOL	±	3°	
4 PLACES	±		
3 PLACES	±		
2 PLACES	±	0.200	
1 PLACE	±		
0 PLACES	±		
DRAFT WHERE APPLICABLE MUST REMAIN WITHIN DIMENSIONS	THIRD ANGLE PROJECTION	DRAWING	SERIES
		A3-SIZE	204473
STATUS: Design Approved		DRWN: Bing Song Lin	2024-01-23
CHK'D: Bing Song Lin		2024-01-29	
APPR: Chien Ching Teh		2024-01-30	
DOCUMENT NUMBER		DOC TYPE	DOC PART
2044730000		PSD	000
CUSTOMER		REVISION	
GENERAL MARKET		C6	
MATERIAL NUMBER		SHEET NUMBER	
SEE TABLE		1 OF 12	

DDR5 287 CKTS CONNECTOR



THIS DRAWING CONTAINS INFORMATION THAT IS PROPRIETARY TO MOLEX ELECTRONIC TECHNOLOGIES, LLC AND SHOULD NOT BE USED WITHOUT WRITTEN PERMISSION

CURRENT REV DESC: UPDATE VIEW IN PAGE1&2

DIMENSION UNITS	SCALE				
MM	NTS				
GENERAL TOLERANCES (UNLESS SPECIFIED)					
ANGULAR TOL	±	3°			
4 PLACES	±				
3 PLACES	±				
2 PLACES	±	0.200			
1 PLACE	±				
0 PLACES	±				
DRAFT WHERE APPLICABLE MUST REMAIN WITHIN DIMENSIONS	THIRD ANGLE PROJECTION	DRAWING	SERIES	MATERIAL NUMBER	CUSTOMER
		A3-SIZE	204473	SEE TABLE	GENERAL MARKET

STATUS: Design Approved
 DRWN: Bing Song Lin
 CHK'D: Bing Song Lin
 APPR: Chien Ching Teh

2024-01-23
 2024-01-29
 2024-01-30

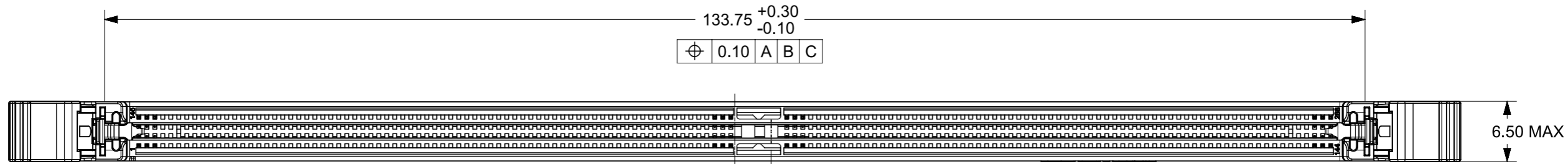
molex

DDR5 R/UDIMM, 0.85MM PITCH
 287/288 CKTS, VERTICAL SMT

PRODUCT SALES DRAWING

DOCUMENT NUMBER	DOC TYPE	DOC PART	REVISION
2044730000	PSD	000	C6

SHEET NUMBER: 2 OF 12

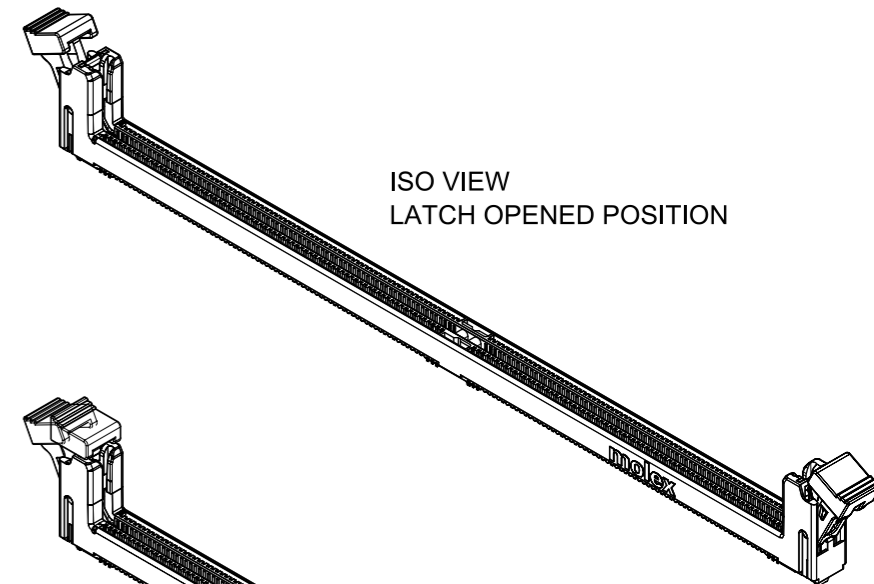
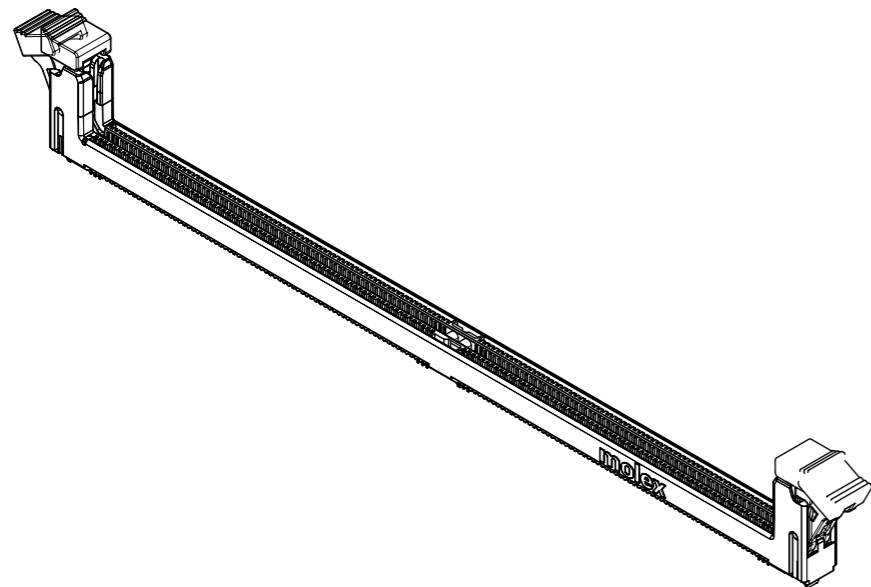


CENTER LINE OF 133.75 FEATURE

DIM"D"

TOP VIEW
LATCH OPENING POSITION

P&P OPTION#1:NO P&P

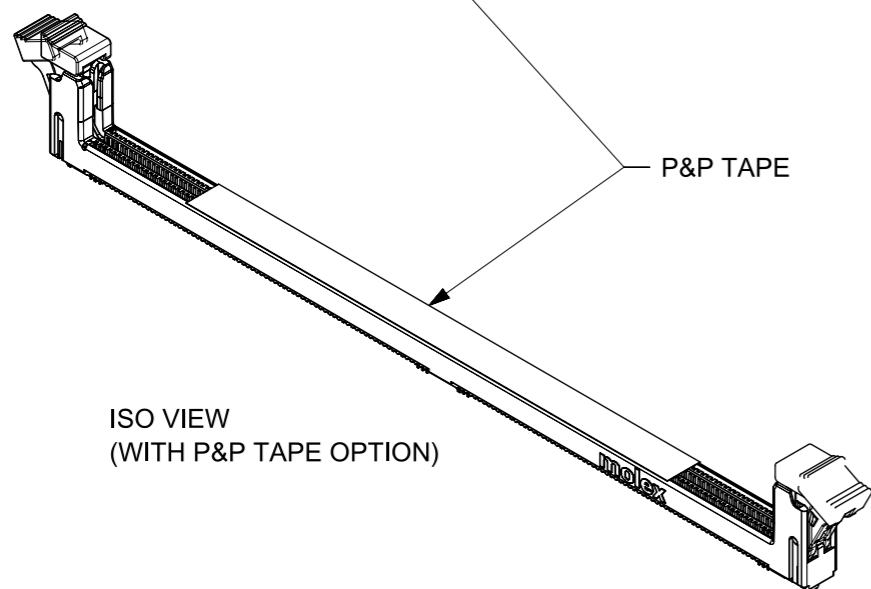
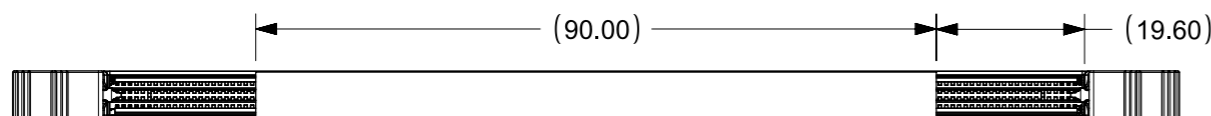


ISO VIEW
LATCH OPENED POSITION



ISO VIEW
LATCH CLOSED POSITION

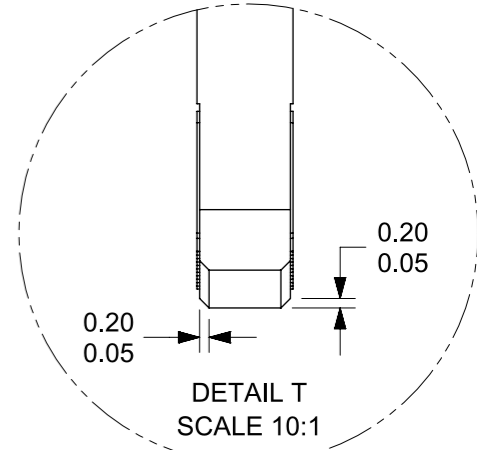
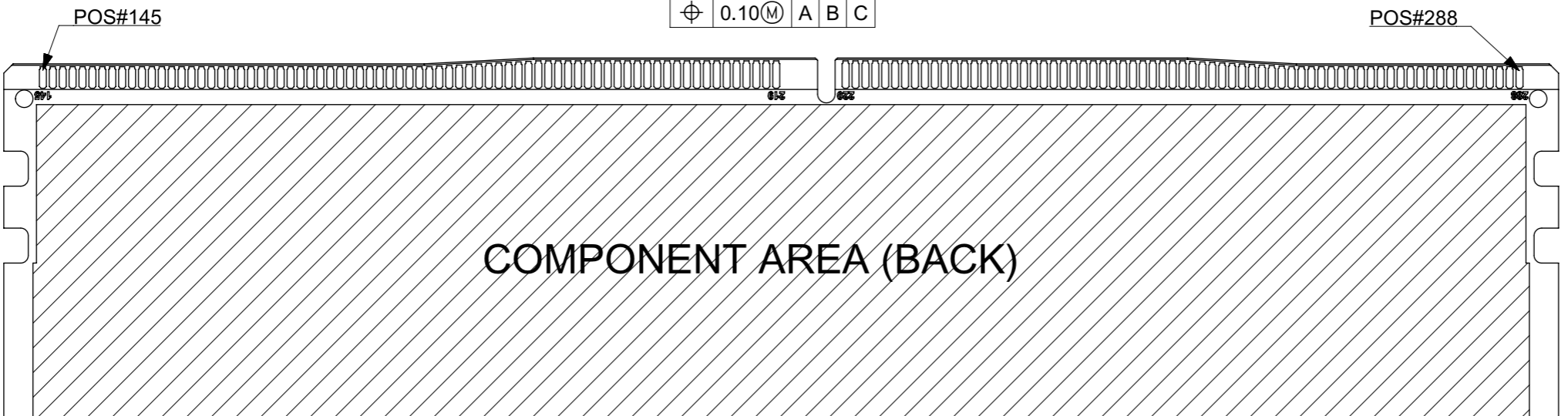
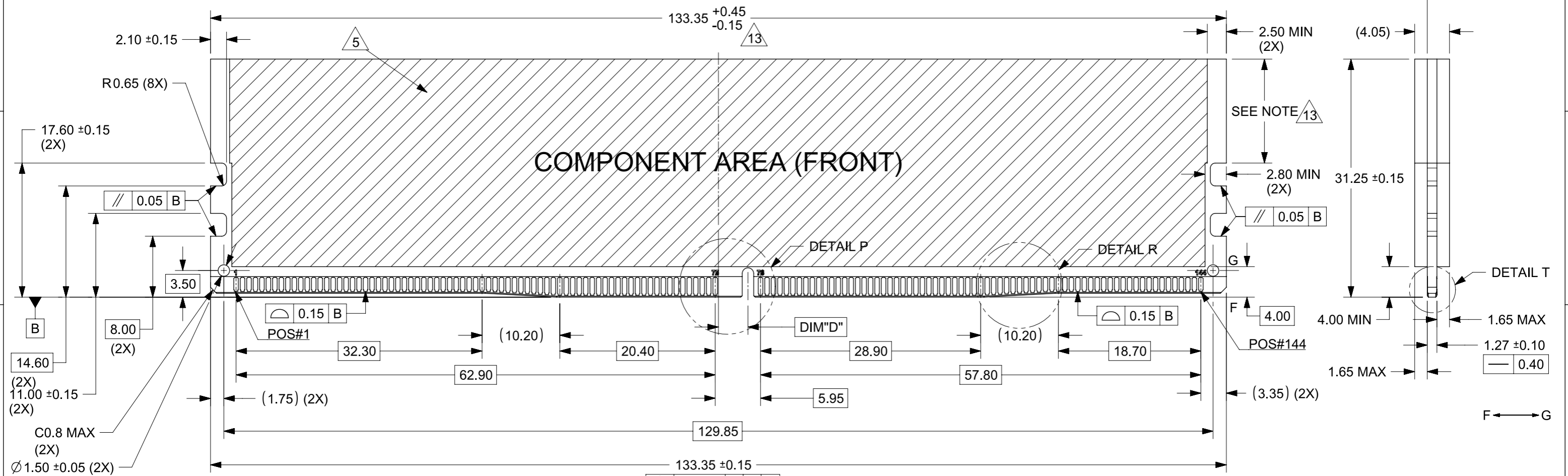
P&P OPTION#2:WITH KAPTON P&P TAPE



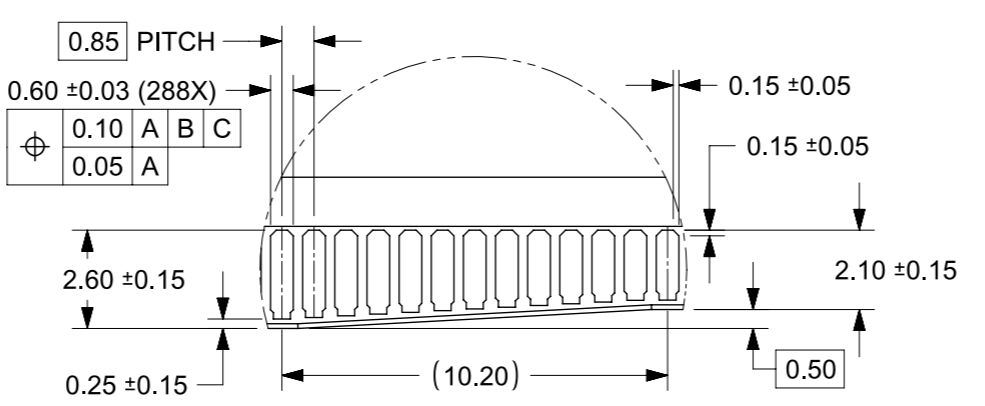
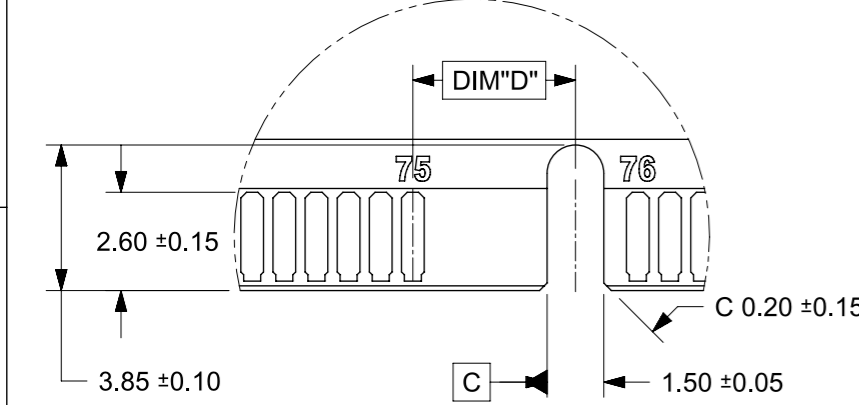
ISO VIEW
(WITH P&P TAPE OPTION)

THIS DRAWING CONTAINS INFORMATION THAT IS PROPRIETARY TO MOLEX ELECTRONIC TECHNOLOGIES, LLC AND SHOULD NOT BE USED WITHOUT WRITTEN PERMISSION											
DIMENSION UNITS		SCALE		CURRENT REV DESC: UPDATE VIEW IN PAGE1&2							
MM		NTS		<p>DDR5 R/UDIMM, 0.85MM PITCH 287/288 CKTS, VERTICAL SMT</p> <p>PRODUCT SALES DRAWING</p>							
GENERAL TOLERANCES (UNLESS SPECIFIED)											
ANGULAR TOL \pm 3°											
4 PLACES \pm											
3 PLACES \pm											
2 PLACES \pm 0.200											
1 PLACE \pm				STATUS: Design Approved		2024-01-23		DOCUMENT NUMBER		DOC TYPE DOC PART REVISION	
0 PLACES \pm				DRWN: Bing Song Lin		2024-01-29		2044730000		PSD 000 C6	
DRAFT WHERE APPLICABLE MUST REMAIN WITHIN DIMENSIONS				THIRD ANGLE PROJECTION		DRAWING		SERIES		MATERIAL NUMBER CUSTOMER SHEET NUMBER	
						A3-SIZE		204473		SEE TABLE GENERAL MARKET 3 OF 12	

MODULE CARD - FOLLOWS MO-329 (288 CKT)

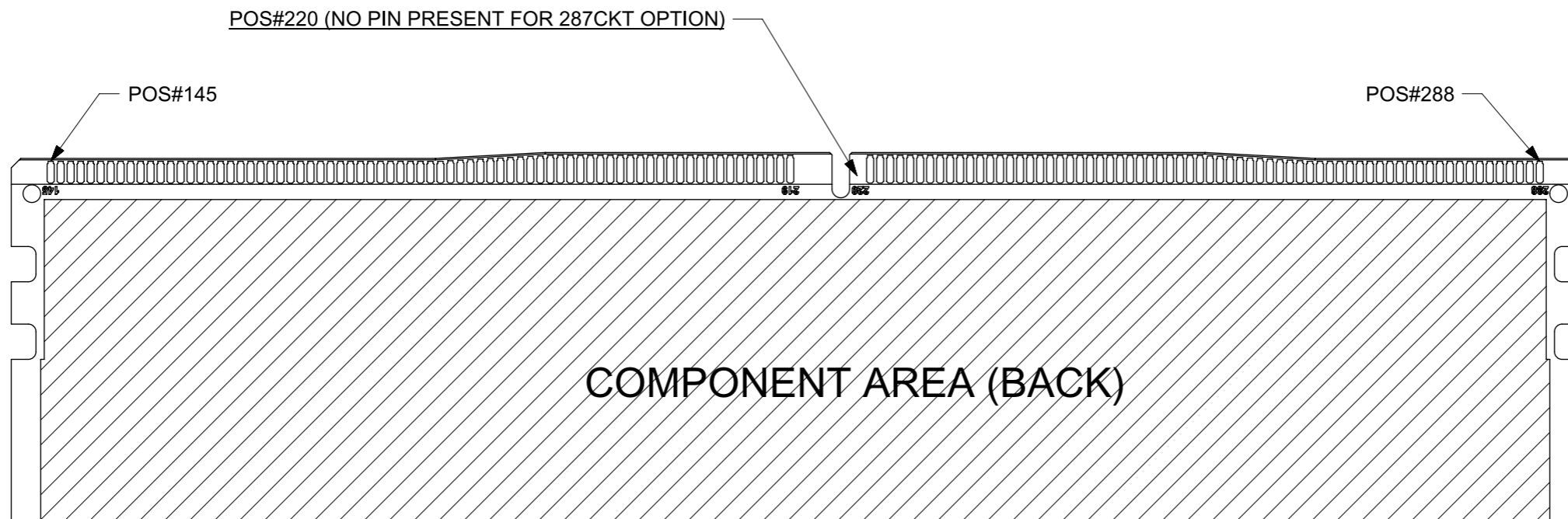
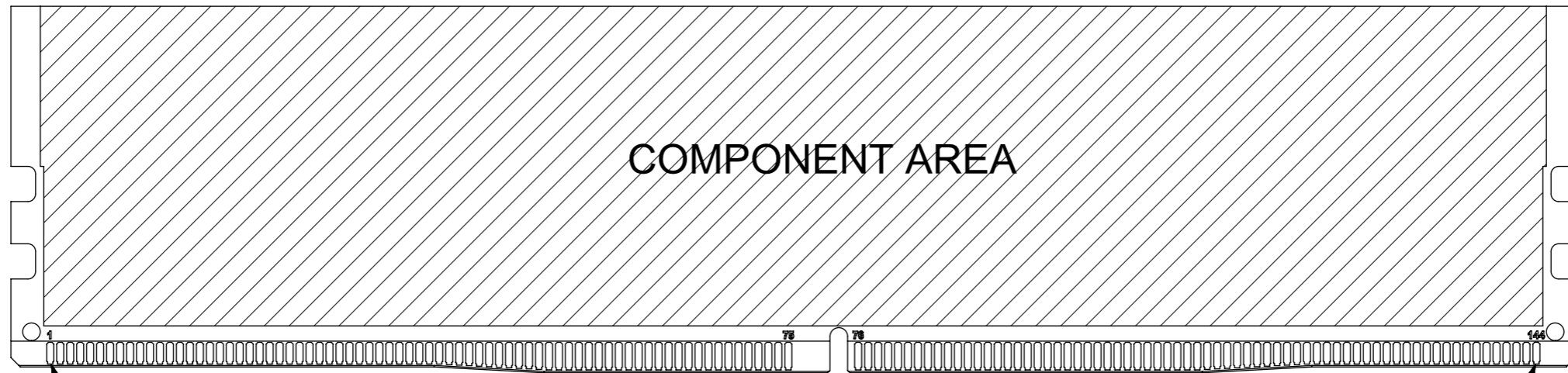


288CKT OPTION



THIS DRAWING CONTAINS INFORMATION THAT IS PROPRIETARY TO MOLEX ELECTRONIC TECHNOLOGIES, LLC AND SHOULD NOT BE USED WITHOUT WRITTEN PERMISSION		CURRENT REV DESC: UPDATE VIEW IN PAGE1&2	
DIMENSION UNITS	SCALE		
MM	NTS		
GENERAL TOLERANCES (UNLESS SPECIFIED)			
ANGULAR TOL	±	3°	
4 PLACES	±		
3 PLACES	±		
2 PLACES	±	0.200	
1 PLACE	±		
0 PLACES	±		
DRAFT WHERE APPLICABLE MUST REMAIN WITHIN DIMENSIONS	THIRD ANGLE PROJECTION	DRAWING	SERIES
		A3-SIZE	204473
STATUS: Design Approved		2024-01-23	2024-01-29
DRWN: Bing Song Lin		2024-01-30	
CHK'D: Bing Song Lin			
APPR: Chien Ching Teh			
DOCUMENT NUMBER		DOC TYPE	DOC PART
2044730000		PSD	000
CUSTOMER		REVISION	
GENERAL MARKET			C6
MATERIAL NUMBER	CUSTOMER	SHEET NUMBER	
SEE TABLE	GENERAL MARKET	4 OF 12	

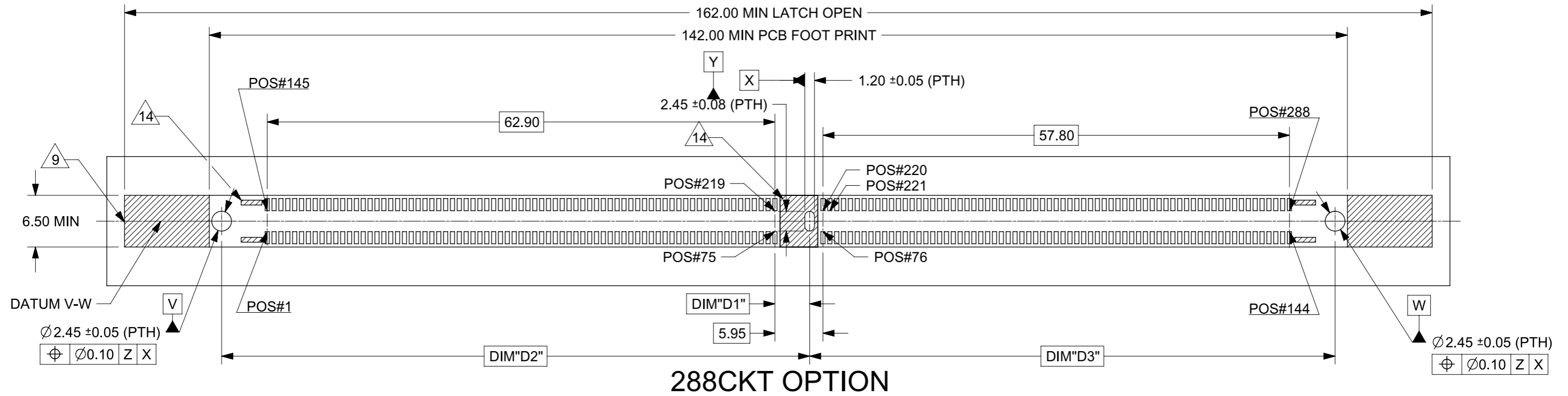
MODULE CARD - FOLLOWS MO-329 (287 CKT)



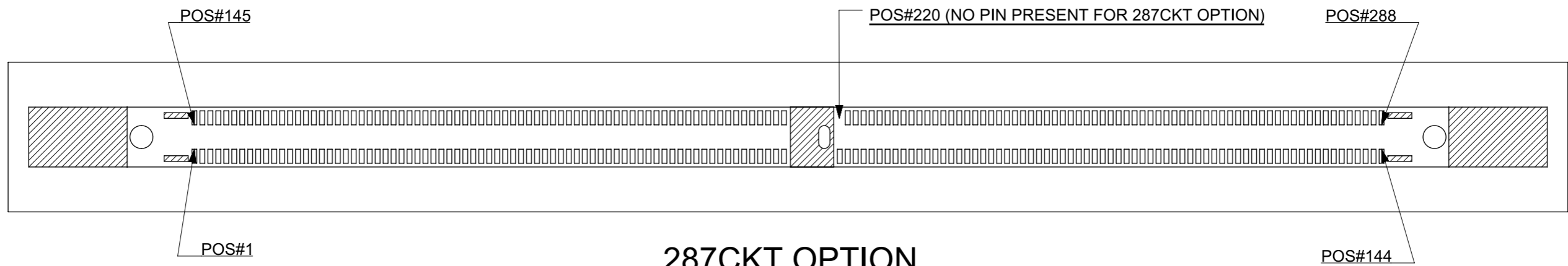
287CKT OPTION

THIS DRAWING CONTAINS INFORMATION THAT IS PROPRIETARY TO MOLEX ELECTRONIC TECHNOLOGIES, LLC AND SHOULD NOT BE USED WITHOUT WRITTEN PERMISSION											
DIMENSION UNITS		SCALE		CURRENT REV DESC: UPDATE VIEW IN PAGE1&2							
MM		NTS		<div style="text-align: center; font-size: 24pt; font-weight: bold;">molex</div> <p>DDR5 R/UDIMM, 0.85MM PITCH 287/288 CKTS, VERTICAL SMT</p> <p>PRODUCT SALES DRAWING</p>							
GENERAL TOLERANCES (UNLESS SPECIFIED)											
ANGULAR TOL ± 3°											
4 PLACES ±											
3 PLACES ±											
2 PLACES ± 0.200											
1 PLACE ±				STATUS: Design Approved		2024-01-23		DOCUMENT NUMBER		DOC TYPE DOC PART REVISION	
0 PLACES ±				DRWN: Bing Song Lin		2024-01-29		2044730000		PSD 000 C6	
DRAFT WHERE APPLICABLE MUST REMAIN WITHIN DIMENSIONS				THIRD ANGLE PROJECTION		DRAWING		SERIES		MATERIAL NUMBER	
						A3-SIZE		204473		SEE TABLE	
								GENERAL MARKET		SHEET NUMBER	
								5 OF 12			

RECOMMENDED PCB FOOTPRINT (HOLE OPTION)



288CKT OPTION



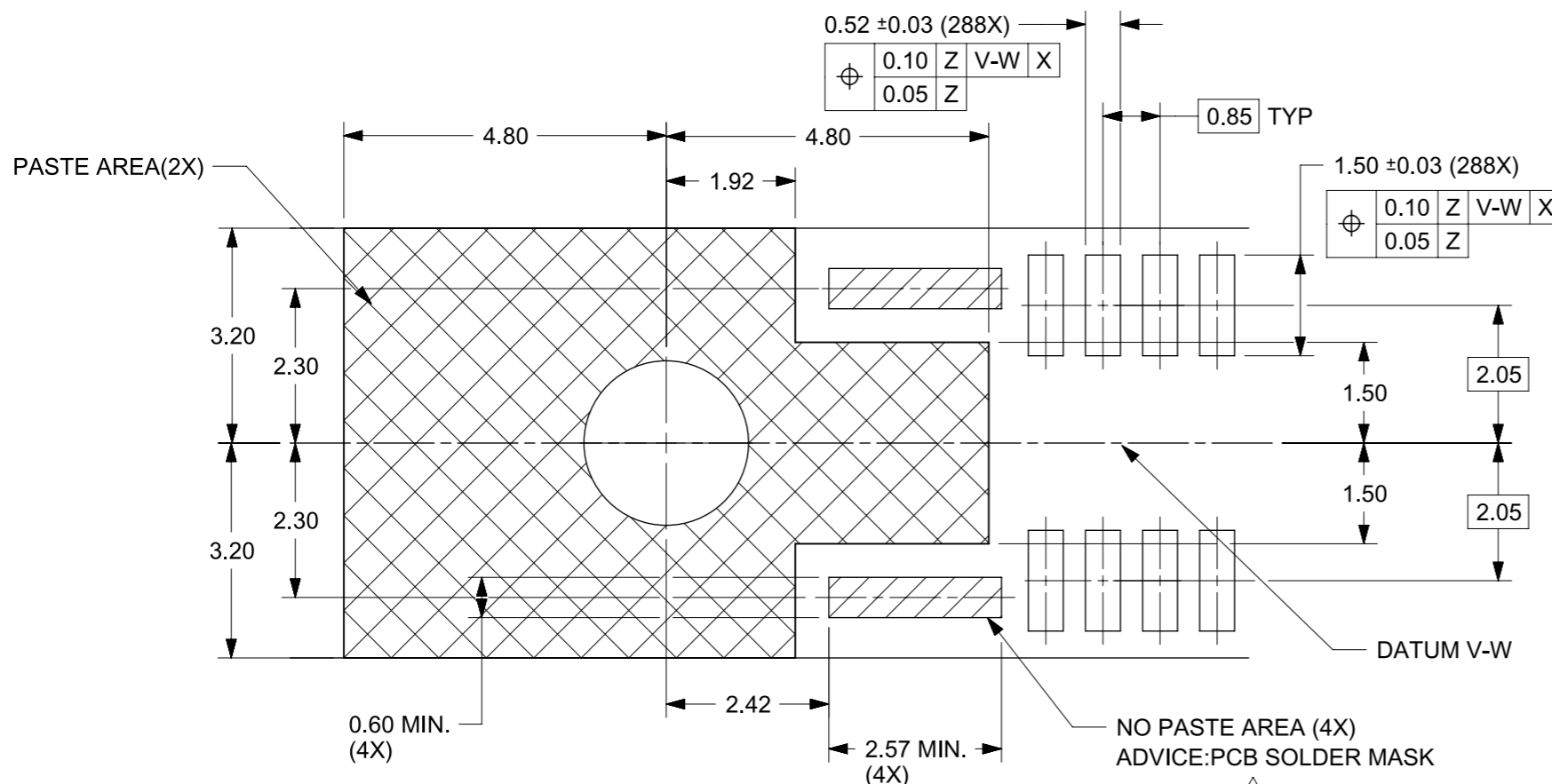
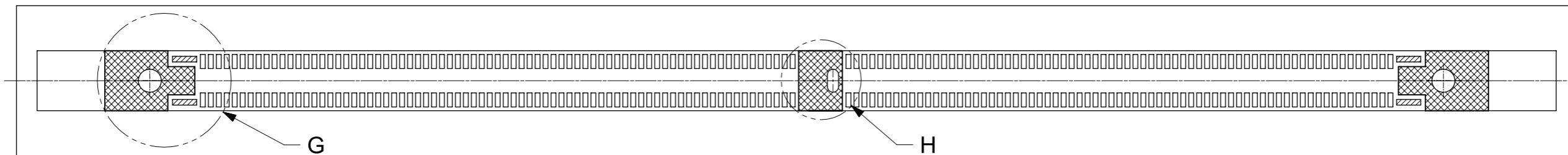
287CKT OPTION

RECOMMENDED PCB THICKNESS: 1.57MM TO 3.18MM

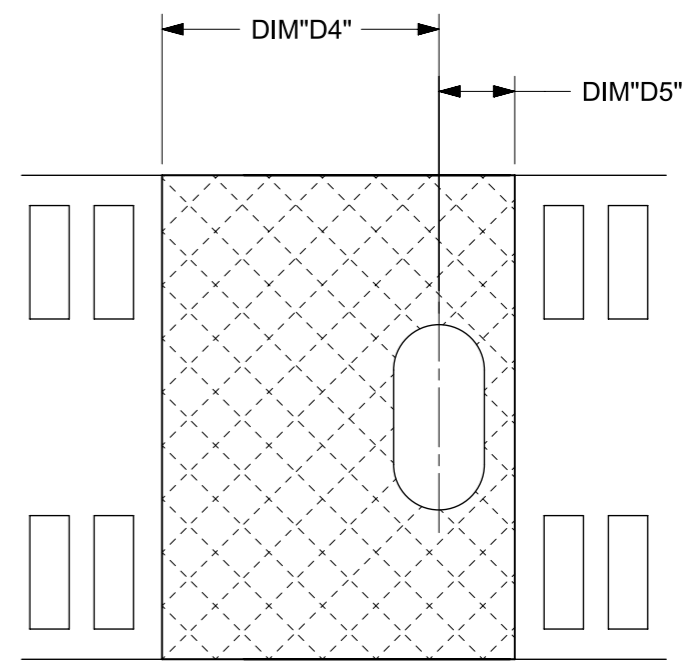
RECOMMENDED PCB FOOTPRINT (OPTION1)

THIS DRAWING CONTAINS INFORMATION THAT IS PROPRIETARY TO MOLEX ELECTRONIC TECHNOLOGIES, LLC AND SHOULD NOT BE USED WITHOUT WRITTEN PERMISSION		CURRENT REV DESC: UPDATE VIEW IN PAGE1&2		molex	
DIMENSION UNITS	SCALE				
MM	NTS			PRODUCT SALES DRAWING	
GENERAL TOLERANCES (UNLESS SPECIFIED)				DOCUMENT NUMBER	
ANGULAR TOL ± 3°				2044730000	
4 PLACES ±				DOC TYPE DOC PART REVISION	
3 PLACES ±				PSD 000 C6	
2 PLACES ± 0.200		STATUS: Design Approved			
1 PLACE ±		DRWN: Bing Song Lin 2024-01-23			
0 PLACES ±		CHK'D: Bing Song Lin 2024-01-29			
		APPR: Chien Ching Teh 2024-01-30			
DRAFT WHERE APPLICABLE MUST REMAIN WITHIN DIMENSIONS		THIRD ANGLE PROJECTION	DRAWING	SERIES	MATERIAL NUMBER
			A3-SIZE	204473	SEE TABLE
				CUSTOMER	SHEET NUMBER
				GENERAL MARKET	6 OF 12

RECOMMENDED PCB FOOTPRINT - SOLDER PASTE DETAIL (HOLE OPTION)



DETAIL G
SCALE 10:1
SIDE SOLDER PASTE AREA
(FOR 2X CIRCLE)

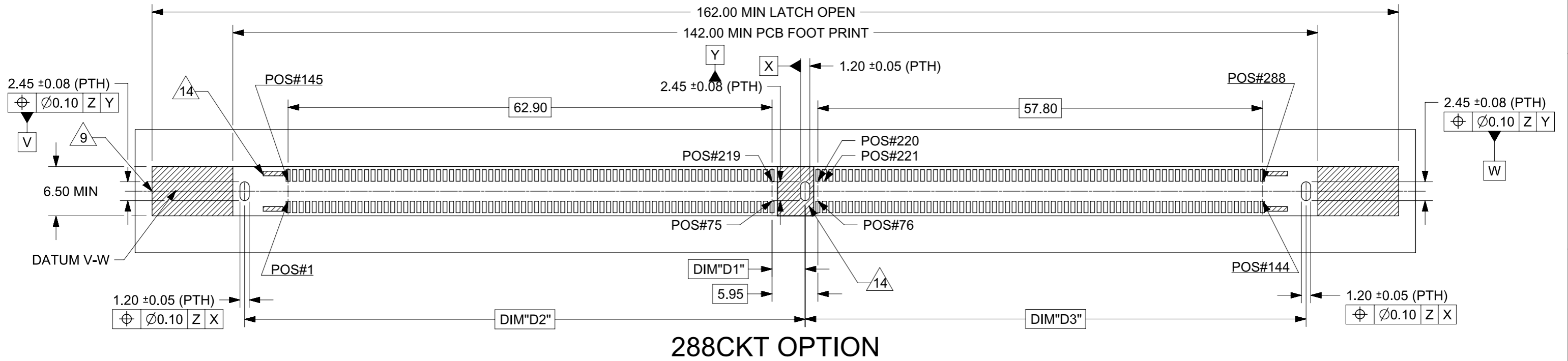


DETAIL H
SCALE 10:1
MIDDLE SOLDER PASTE AREA
(FOR 1X SLOT)

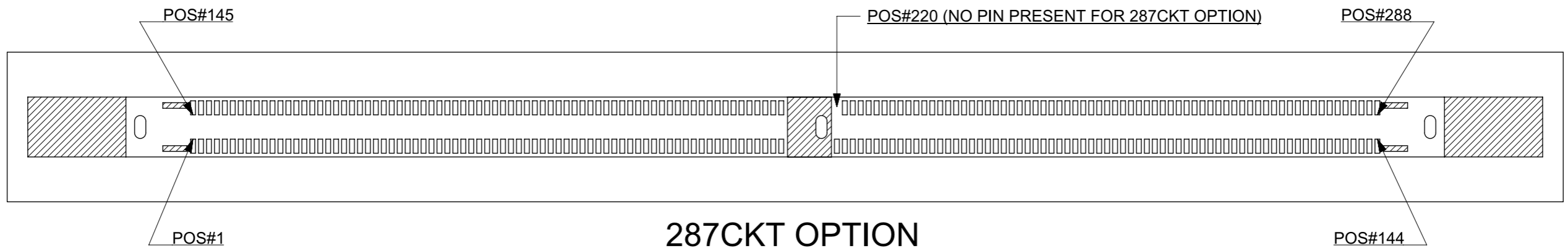
RECOMMENDED PCB FOOTPRINT (OPTION1)

THIS DRAWING CONTAINS INFORMATION THAT IS PROPRIETARY TO MOLEX ELECTRONIC TECHNOLOGIES, LLC AND SHOULD NOT BE USED WITHOUT WRITTEN PERMISSION									
DIMENSION UNITS		SCALE		CURRENT REV DESC: UPDATE VIEW IN PAGE1&2					
MM		NTS		<p>DDR5 R/UDIMM, 0.85MM PITCH 287/288 CKTS, VERTICAL SMT</p> <p>PRODUCT SALES DRAWING</p>					
GENERAL TOLERANCES (UNLESS SPECIFIED)									
ANGULAR TOL ± 3°									
4 PLACES ±									
3 PLACES ±									
2 PLACES ± 0.200									
1 PLACE ±				STATUS: Design Approved		DRWN: Bing Song Lin 2024-01-23		2024-01-29	
0 PLACES ±				CHK'D: Bing Song Lin		APPR: Chien Ching Teh		2024-01-30	
DRAFT WHERE APPLICABLE MUST REMAIN WITHIN DIMENSIONS		THIRD ANGLE PROJECTION		DRAWING		SERIES		MATERIAL NUMBER	
				A3-SIZE		204473		SEE TABLE	
				CUSTOMER		GENERAL MARKET		SHEET NUMBER	
								7 OF 12	

RECOMMENDED PCB FOOTPRINT (SLOT OPTION)



288CKT OPTION



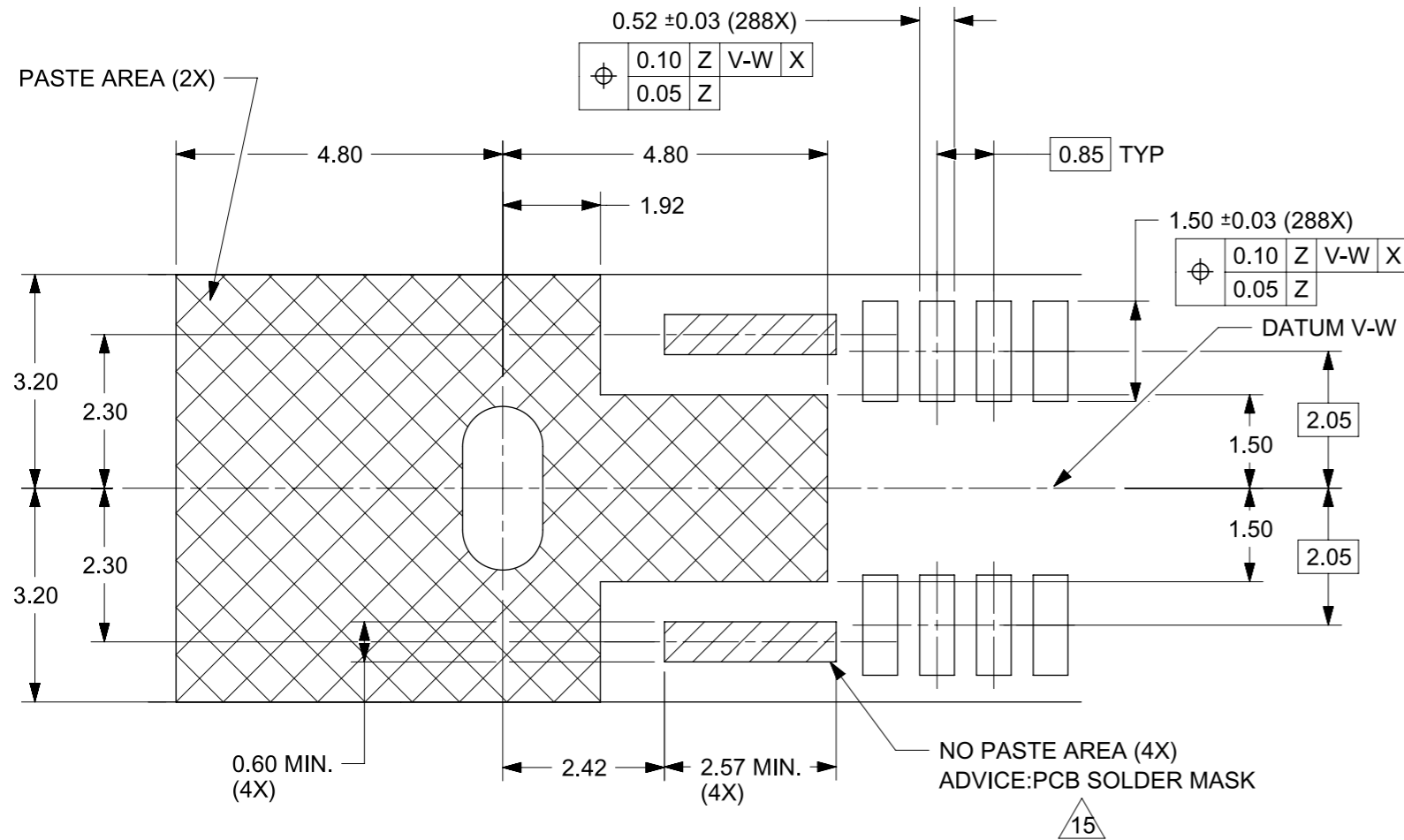
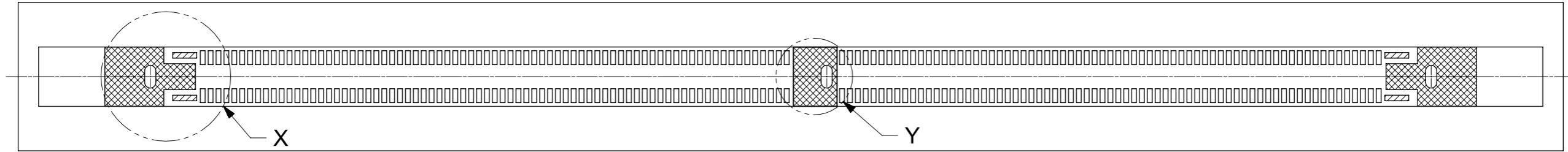
287CKT OPTION

RECOMMENDED PCB THICKNESS: 1.57MM TO 3.18MM

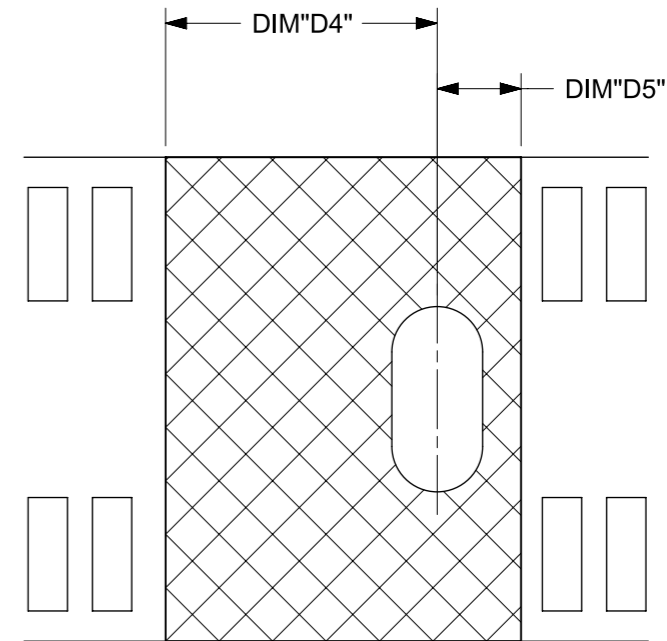
RECOMMENDED PCB FOOTPRINT (OPTION2)

THIS DRAWING CONTAINS INFORMATION THAT IS PROPRIETARY TO MOLEX ELECTRONIC TECHNOLOGIES, LLC AND SHOULD NOT BE USED WITHOUT WRITTEN PERMISSION											
DIMENSION UNITS		SCALE		CURRENT REV DESC: UPDATE VIEW IN PAGE1&2							
MM		NTS		<p>DDR5 R/UDIMM, 0.85MM PITCH 287/288 CKTS, VERTICAL SMT</p> <p>PRODUCT SALES DRAWING</p> <p>DOCUMENT NUMBER: 2044730000 DOC TYPE: PSD DOC PART: 000 REVISION: C6</p> <p>STATUS: Design Approved DRWN: Bing Song Lin 2024-01-23 CHK'D: Bing Song Lin 2024-01-29 APPR: Chien Ching Teh 2024-01-30</p> <p>SHEET NUMBER: 8 OF 12</p>							
GENERAL TOLERANCES (UNLESS SPECIFIED)											
ANGULAR TOL ± 3°											
4 PLACES ±											
3 PLACES ±											
2 PLACES ± 0.200											
1 PLACE ±											
0 PLACES ±											
DRAFT WHERE APPLICABLE MUST REMAIN WITHIN DIMENSIONS		THIRD ANGLE PROJECTION		DRAWING		SERIES		MATERIAL NUMBER		CUSTOMER	
				A3-SIZE		204473		SEE TABLE		GENERAL MARKET	

RECOMMENDED PCB FOOTPRINT - SOLDER PASTE DETAIL (SLOT OPTION)



DETAIL X
SCALE 10:1
SIDE SOLDER PASTE AREA
(FOR 2X SLOT)



DETAIL Y
SCALE 10:1
MIDDLE SOLDER PASTE AREA
(FOR 1X SLOT)

RECOMMENDED PCB FOOTPRINT (OPTION2)

THIS DRAWING CONTAINS INFORMATION THAT IS PROPRIETARY TO MOLEX ELECTRONIC TECHNOLOGIES, LLC AND SHOULD NOT BE USED WITHOUT WRITTEN PERMISSION									
DIMENSION UNITS		SCALE		CURRENT REV DESC: UPDATE VIEW IN PAGE1&2					
MM		NTS		<div style="text-align: center; font-size: 24pt; font-weight: bold;">molex</div> <p>DDR5 R/UDIMM, 0.85MM PITCH 287/288 CKTS, VERTICAL SMT</p> <p>PRODUCT SALES DRAWING</p>					
GENERAL TOLERANCES (UNLESS SPECIFIED)									
ANGULAR TOL		± 3°							
4 PLACES		±							
3 PLACES		±							
2 PLACES		± 0.200							
1 PLACE		±		STATUS: Design Approved		2024-01-23		DOCUMENT NUMBER	
0 PLACES		±		DRWN: Bing Song Lin		2024-01-29		2044730000	
DRAFT WHERE APPLICABLE MUST REMAIN WITHIN DIMENSIONS		THIRD ANGLE PROJECTION		DRAWING		SERIES		MATERIAL NUMBER	
				A3-SIZE		204473		SEE TABLE	
				GENERAL MARKET		CUSTOMER		SHEET NUMBER	
						GENERAL MARKET		9 OF 12	

RDIMM OPTION

CKT SIZE	ASSEMBLY PART NO.	HOUSING COLOUR	LATCH COLOUR	P&P OPTION	DIM"D"	DIM"D1"	DIM"D2"	DIM"D3"	DIM"D4"	DIM"D5"	PLATING OPTION		PRODUCT SPEC. NO.	PACKAGING SPEC. NO.
											TERMINAL	METAL TAB		
288 (ALL PINS IN)	2044731112	BLACK	BLACK	NO	3.875	4.30	72.85	65.10	3.39	0.94	0.76 MICROMETER (30 MICROINCH) MIN GOLD ON CONTACT 2.54 MICROMETER (100 MICROINCH) MIN MATT TIN ON SOLDERTAILS 1.27 MICROMETER (50 MICROINCH) MIN NICKEL UNDERPLATE	2044730001-PS		
	2044731212		OFF-WHITE											
	2044731312		BLUE											
	2044732212	OFF-WHITE	OFF-WHITE											
	2044733212	BLUE												
	2044733312													BLUE
	2044734212	YELLOW	OFF-WHITE											
	2044731114	BLACK	BLACK											YES
	2044731214		OFF-WHITE											
	2044731314		BLUE											
	2044732214	OFF-WHITE	OFF-WHITE											
	2044733214	BLUE	OFF-WHITE											
	2044733314		BLUE											
	2044731132	BLACK	BLACK	NO										
	2044731232		OFF-WHITE											
	2044733332	BLUE	BLUE											
	2044731134	BLACK	BLACK	YES										
	2044731234		OFF-WHITE											
	2044732234	OFF-WHITE	OFF-WHITE											
	2044733234	BLUE	OFF-WHITE											
2044733334	BLUE													
2044734234	YELLOW	OFF-WHITE												
2044731164	BLACK	BLACK												
2044733364	BLUE	BLUE												
2044734264	YELLOW	OFF-WHITE												
												0.38 MICROMETER (15 MICROINCH) MIN GOLD ON CONTACT 2.54 MICROMETER (100 MICROINCH) MIN MATT TIN ON SOLDERTAILS 1.27 MICROMETER (50 MICROINCH) MIN NICKEL UNDERPLATE	1 MICROMETER (40 MICROINCH) MIN MATT TIN OVERALL (PRE-PLATED)	2044730002-PS
													2044730013 (HARD TRAY)	

THIS DRAWING CONTAINS INFORMATION THAT IS PROPRIETARY TO MOLEX ELECTRONIC TECHNOLOGIES, LLC AND SHOULD NOT BE USED WITHOUT WRITTEN PERMISSION															
DIMENSION UNITS	SCALE	CURRENT REV DESC: UPDATE VIEW IN PAGE1&2													
MM	NTS	molex													
GENERAL TOLERANCES (UNLESS SPECIFIED)		DDR5 R/UDIMM, 0.85MM PITCH 287/288 CKTS, VERTICAL SMT													
ANGULAR TOL ± 3°		PRODUCT SALES DRAWING													
4 PLACES ±	±	STATUS: Design Approved		DRWN: Bing Song Lin 2024-01-23		CHK'D: Bing Song Lin 2024-01-29		APPR: Chien Ching Teh 2024-01-30		SERIES 204473		DOCUMENT NUMBER	DOC TYPE	DOC PART	REVISION
3 PLACES ±	±											2044730000	PSD	000	C6
2 PLACES ± 0.200	±											MATERIAL NUMBER		CUSTOMER	
1 PLACE ±	±											SEE TABLE		GENERAL MARKET	
0 PLACES ±	±											SHEET NUMBER		10 OF 12	
DRAFT WHERE APPLICABLE MUST REMAIN WITHIN DIMENSIONS		THIRD ANGLE PROJECTION		DRAWING		A3-SIZE		SERIES		MATERIAL NUMBER		CUSTOMER		SHEET NUMBER	

RDIMM OPTION

CKT SIZE	ASSEMBLY PART NO.	HOUSING COLOUR	LATCH COLOUR	P&P OPTION	DIM"D"	DIM"D1"	DIM"D2"	DIM"D3"	DIM"D4"	DIM"D5"	PLATING OPTION		PRODUCT SPEC. NO.	PACKAGING SPEC. NO.
											TERMINAL	METAL TAB		
287 (WITH PIN POS#220 REMOVED)	2044736612	BLACK	BLACK	NO	3.875	4.30	72.85	65.10	3.39	0.94	0.76 MICROMETER (30 MICROINCH) MIN GOLD ON CONTACT 2.54 MICROMETER (100 MICROINCH) MIN MATT TIN ON SOLDERTAILS 1.27 MICROMETER (50 MICROINCH) MIN NICKEL UNDERPLATE	1 MICROMETER (40 MICROINCH) MIN MATT TIN OVERALL (PRE-PLATED)	2044730001-PS	2044730003 (HARD TRAY)
	2044736712	BLACK	OFF-WHITE											
	2044737712	OFF-WHITE	OFF-WHITE											
	2044738712	BLUE	OFF-WHITE	YES										
	2044738812	BLUE	BLUE											
	2044736614	BLACK	BLACK											
	2044736714	BLACK	OFF-WHITE											
	2044737714	OFF-WHITE	OFF-WHITE											
	2044738714	BLUE	OFF-WHITE											
2044738814	BLUE	BLUE												

CKT SIZE	ASSEMBLY PART NO.	HOUSING COLOUR	LATCH COLOUR	P&P OPTION	DIM"D"	DIM"D1"	DIM"D2"	DIM"D3"	DIM"D4"	DIM"D5"	PLATING OPTION		PRODUCT SPEC. NO.	PACKAGING SPEC. NO.
											TERMINAL	METAL TAB		
287 (WITH PIN POS#220 REMOVED)	2044736632	BLACK	BLACK	NO	3.875	4.30	72.85	65.10	3.39	0.94	0.38 MICROMETER (15 MICROINCH) MIN GOLD ON CONTACT 2.54 MICROMETER (100 MICROINCH) MIN MATT TIN ON SOLDERTAILS 1.27 MICROMETER (50 MICROINCH) MIN NICKEL UNDERPLATE	1 MICROMETER (40 MICROINCH) MIN MATT TIN OVERALL (PRE-PLATED)	2044730002-PS	2044730003 (HARD TRAY)
	2044736732	BLACK	OFF-WHITE											
	2044737732	OFF-WHITE	OFF-WHITE											
	2044738732	BLUE	OFF-WHITE											
	2044736832	BLACK	BLUE											
	2044738832	BLUE	BLUE											
	2044736634	BLACK	BLACK	YES										
	2044736734	BLACK	OFF-WHITE											
	2044737734	OFF-WHITE	OFF-WHITE											
	2044738734	BLUE	OFF-WHITE											
	2044738834	BLUE	BLUE											
	2044736662	BLACK	BLACK	NO										
	2044738862	BLUE	BLUE	YES										
	2044736664	BLACK	BLACK											
	2044738864	BLUE	BLUE											
2044739774	YELLOW	OFF-WHITE												

FUNCTIONAL SYMBOLS DIVISIONAL SYMBOLS	THIS DRAWING CONTAINS INFORMATION THAT IS PROPRIETARY TO MOLEX ELECTRONIC TECHNOLOGIES, LLC AND SHOULD NOT BE USED WITHOUT WRITTEN PERMISSION CURRENT REV DESC: UPDATE VIEW IN PAGE1&2	DIMENSION UNITS: MM SCALE: NTS	molex DDR5 R/UDIMM, 0.85MM PITCH 287/288 CKTS, VERTICAL SMT	PRODUCT SALES DRAWING	STATUS: Design Approved DRWN: Bing Song Lin CHK'D: Bing Song Lin APPR: Chien Ching Teh	2024-01-23 2024-01-29 2024-01-30	DOCUMENT NUMBER: 2044730000 DOC TYPE: PSD DOC PART: 000 REVISION: C6
DRAFT WHERE APPLICABLE MUST REMAIN WITHIN DIMENSIONS THIRD ANGLE PROJECTION 	DRAWING: A3-SIZE SERIES: 204473	MATERIAL NUMBER: 204473 CUSTOMER: GENERAL MARKET	SHEET NUMBER: 11 OF 12				

UDIMM OPTION

CKT SIZE	ASSEMBLY PART NO.	HOUSING COLOUR	LATCH COLOUR	P&P OPTION	DIM"D"	DIM"D1"	DIM"D2"	DIM"D3"	DIM"D4"	DIM"D5"	PLATING OPTION		PRODUCT SPEC. NO.	PACKAGING SPEC. NO.
											TERMINAL	METAL TAB		
288 (ALL PINS IN)	2044731218	BLACK	OFF-WHITE	NO	1.425	1.85	70.40	67.55	0.94	3.39	0.76 MICROMETER (30 MICROINCH) MIN GOLD ON CONTACT 2.54 MICROMETER (100 MICROINCH) MIN MATT TIN ON SOLDERTAILS 1.27 MICROMETER (50 MICROINCH) MIN NICKEL UNDERPLATE	1 MICROMETER (40 MICROINCH) MIN MATT TIN OVERALL (PRE-PLATED)	2044730001-PS	2044730003 (HARD TRAY)
	2044731110	BLACK	BLACK	YES										
	2044731210		OFF-WHITE											
	2044732210	OFF-WHITE	OFF-WHITE											
	2044733310	BLUE	BLUE											
	2044731130	BLACK	BLACK								YES			
	2044731230		OFF-WHITE											
	2044732230	OFF-WHITE	OFF-WHITE											
	2044733330	BLUE	BLUE											
	2044734230	YELLOW	OFF-WHITE											

THIS DRAWING CONTAINS INFORMATION THAT IS PROPRIETARY TO MOLEX ELECTRONIC TECHNOLOGIES, LLC AND SHOULD NOT BE USED WITHOUT WRITTEN PERMISSION																	
DIMENSION UNITS	SCALE	CURRENT REV DESC: UPDATE VIEW IN PAGE1&2															
MM	NTS	molex															
GENERAL TOLERANCES (UNLESS SPECIFIED)		DDR5 R/UDIMM, 0.85MM PITCH 287/288 CKTS, VERTICAL SMT															
ANGULAR TOL ± 3°		PRODUCT SALES DRAWING															
4 PLACES ±	±	STATUS: Design Approved		DRWN: Bing Song Lin 2024-01-23		CHK'D: Bing Song Lin 2024-01-29		APPR: Chien Ching Teh 2024-01-30		DOCUMENT NUMBER		DOC TYPE		DOC PART		REVISION	
3 PLACES ±	±							2044730000		PSD		000		C6			
2 PLACES ± 0.200	±							SERIES		MATERIAL NUMBER		CUSTOMER		SHEET NUMBER			
1 PLACE ±	±							A3-SIZE		204473		SEE TABLE		GENERAL MARKET		12 OF 12	
0 PLACES ±	±							THIRD ANGLE PROJECTION		DRAWING		SERIES		MATERIAL NUMBER		CUSTOMER	
DRAFT WHERE APPLICABLE MUST REMAIN WITHIN DIMENSIONS		THIRD ANGLE PROJECTION		DRAWING		SERIES		MATERIAL NUMBER		CUSTOMER		SHEET NUMBER					