

A

B

C

D

E

F

G

H

A

B

C

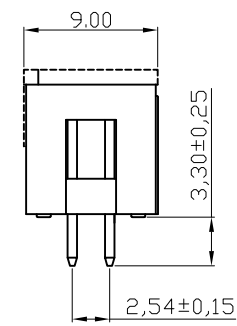
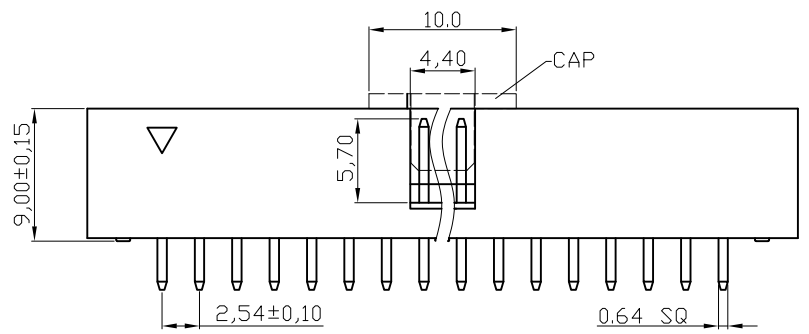
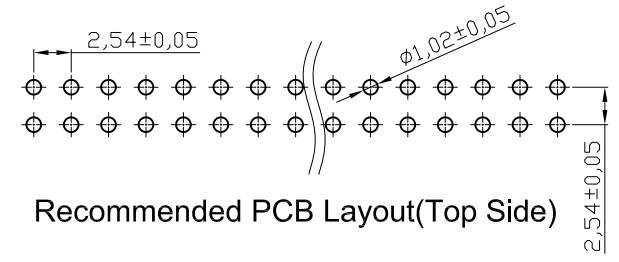
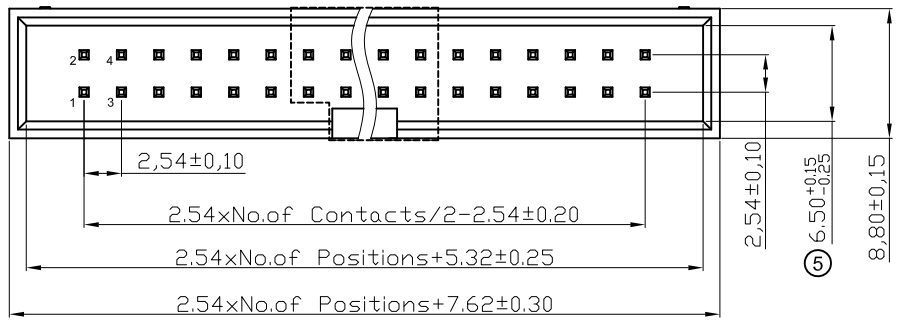
D

E

F

G

H



NOTES:

MATERIAL

- ⑤ 1. Insulator Material: PA9T+30%G.F.(UL94V-0), Black
- 2. Contact Material : Brass
- 3. Contact Plating : Gold Flash / Tin

ELECTRICAL

- 1. Current Rating : 3AMP
- 2. Withstand Voltage: 500V AC/DC
- 3. Contact Resistance : 20mΩ max
- 4. Insulation Resistance: 1000MΩ min

ENVIRONMENTAL

- 1. Operation Temperature: -40°C to +105°C
- ④ 2. Packing: Tape & Reel

Dimension list

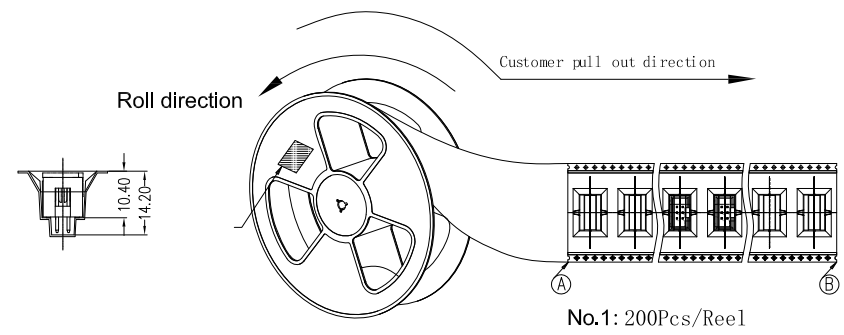
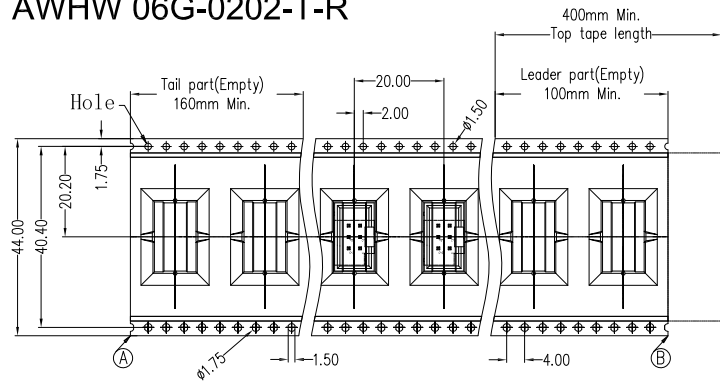
No.Pin	L
6P-8P	4.00
10P-64P	4.40

RoHS compliant

Scale	1:1	⑥	Update for additional Page 2 and 3	11.05.2022	Daniel		Date	Name	Customer-No.
TOLERANCE		⑤	Update insulator material & tolerance	07.06.2021	Daniel	Drawn	18.03.2008	N.Schulz	
X.X	±0.40	④	Add Packing for 16 pin version	16.12.2013	Winnie	Approved	07.06.2021	Daniel	ASSMANN WSW-No. AWHW xxG-0202-T-R
X.XX	±0.25	③	Update Packing detail	17.01.2012	Lucas				
X.XXX	±0.15	②	Update	28.06.2010	Alex				Drawing-No. ASS 2548 CO
Angle	±3°	①	Drawn	18.03.2008	N.Schulz				rev06
		Id.	Modification	Date	Name				

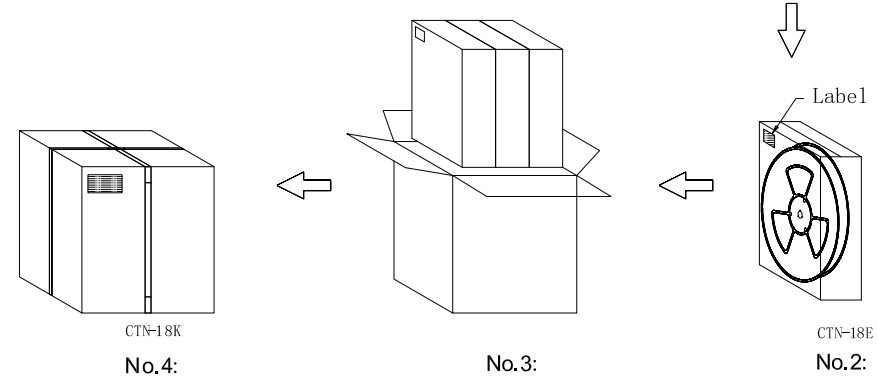
Drawing-No.		ASS 2548 CO	rev06
Replace			
		1 / 4	

AWHW 06G-0202-T-R



NOTES:

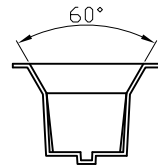
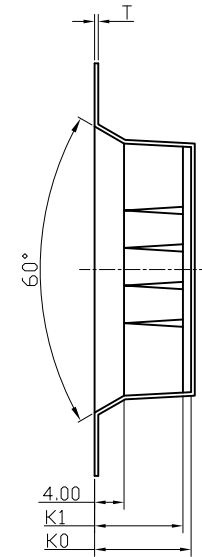
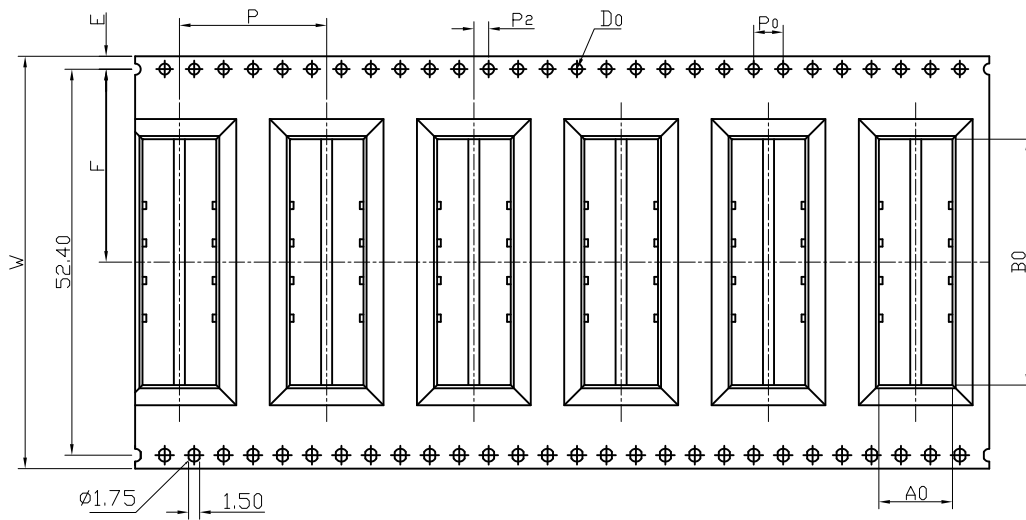
- Qty: 200 Pcs/Reel
400 PCS/inner carton
12.000 PCS/Outer Carton
- Outer Carton Size: 36*33*36.5cm
- Reel Size: 13"



RoHS compliant

Scale	1:1	⑥	Update for additional Page 2 and 3	11.05.2022	Daniel		Date	Name	Customer-No.		
TOLERANCE		⑤	Update insulator material & tolerance	07.06.2021	Daniel	Drawn	18.03.2008	N.Schulz	ASSMANN WSW-No. AWHW 06G-0202-T-R		
X.X		④	Add Packing for 16 pin version	16.12.2013	Winnie	Approved	07.06.2021	Daniel			
X.XX		③	Update Packing detail	17.01.2012	Lucas						
X.XXX		②	Update	28.06.2010	Alex				Drawing-No.		
Angle		①	Drawn	18.03.2008	N.Schulz						
		Id.	Modification	Date	Name						

Drawing-No.		ASS 2548 CO	rev06
Replace			



AWHW 20G-0202-T-R

Packing: 200pcs/Reel

ITEM	W	A0	A1	B0	K0	K1	K2	P	F	E	D0	P0	P2	T
DIM	56.0 ^{+0.30} _{-0.30}	10.0 ^{+0.10} _{-0.10}	9.10 ^{+0.10} _{-0.10}	33.4 ^{+0.10} _{-0.10}	13.1 ^{+0.10} _{-0.10}	12.0 ^{+0.10} _{-0.10}	/	20.0 ^{+0.10} _{-0.10}	26.2 ^{+0.15} _{-0.15}	1.75 ^{+0.10} _{-0.10}	1.50 ^{+0.10} _{-0.10}	4.00 ^{+0.10} _{-0.10}	2.00 ^{+0.10} _{-0.10}	0.50 ^{+0.05} _{-0.05}

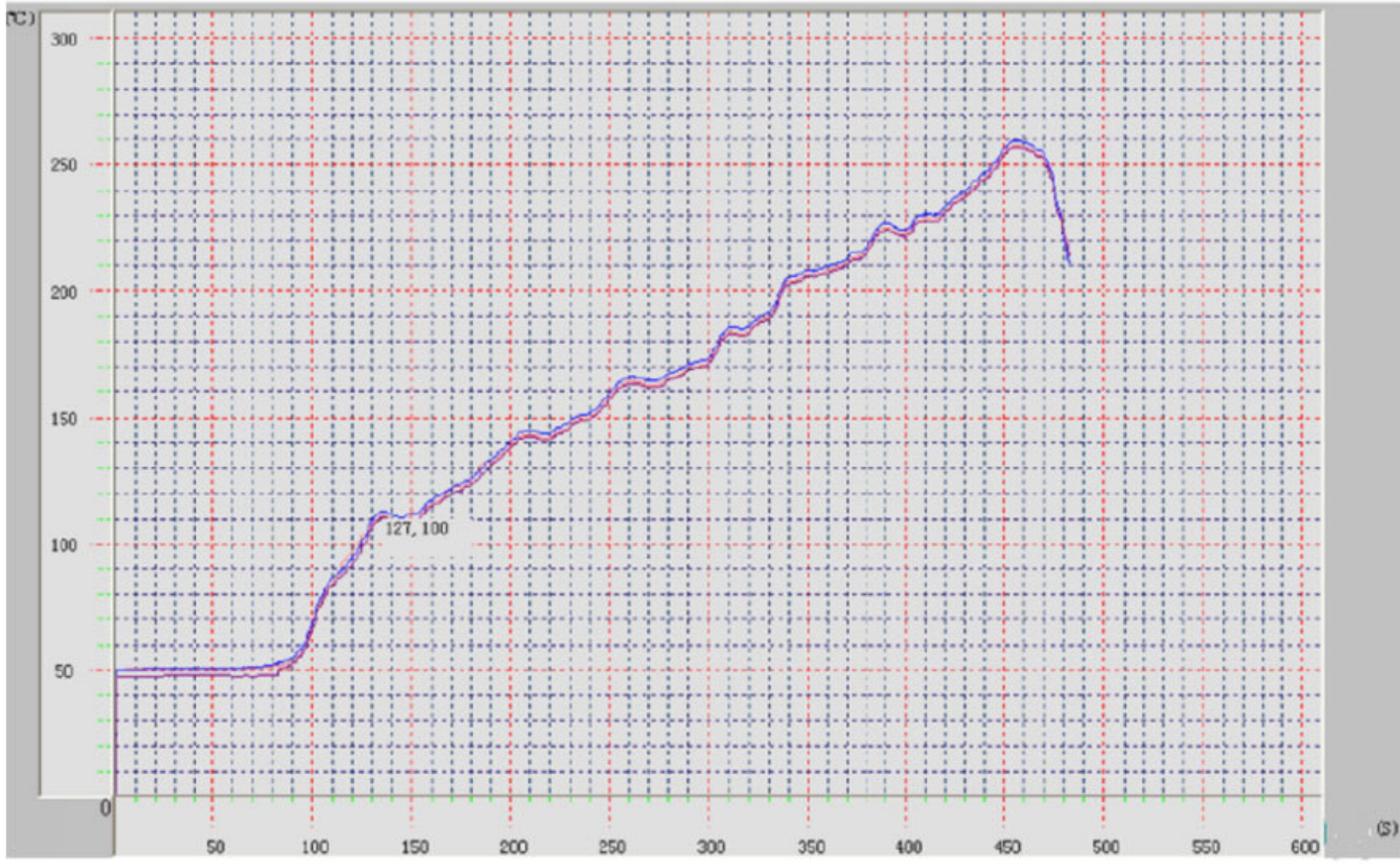
RoHS compliant

Scale	1:1	⑥	Update for additional Page 2 and 3	11.05.2022	Daniel		Date	Name	Customer-No.
TOLERANCE		⑤	Update insulator material & tolerance	07.06.2021	Daniel	Drawn	18.03.2008	N.Schulz	ASSMANN WSW-No. AWHW 20G-0202-T-R
X.X		④	Add Packing for 16 pin version	16.12.2013	Winnie	Approved	07.06.2021	Daniel	
X.XX		③	Update Packing detail	17.01.2012	Lucas				
X.XXX		②	Update	28.06.2010	Alex		Drawing-No.		ASS 2548 CO
Angle		①	Drawn	18.03.2008	N.Schulz		rev06		
		Id.	Modification	Date	Name		Replace		Sheet 3 / 4

A
B
C
D
E
F
G
H

A
B
C
D
E
F
G
H

SMT Type Product Past IR Reflow Graph



RoHS compliant

Scale	1:1	⑥	Update for additional Page 2 and 3	11.05.2022	Daniel		Date	Name	Customer-No.	
TOLERANCE		⑤	Update insulator material & tolerance	07.06.2021	Daniel	Drawn	18.03.2008	N.Schulz	ASSMANN WSW-No. AWHW xxG-0202-T-R	
X.X		④	Add Packing for 16 pin version	16.12.2013	Winnie	Approved	07.06.2021	Daniel		
X.XX		③	Update Packing detail	17.01.2012	Lucas					
X.XXX		②	Update	28.06.2010	Alex				Drawing-No.	
Angle		①	Drawn	18.03.2008	N.Schulz				ASS 2548 CO	rev06
		Id.	Modification	Date	Name				Replace	Sheet 4 / 4