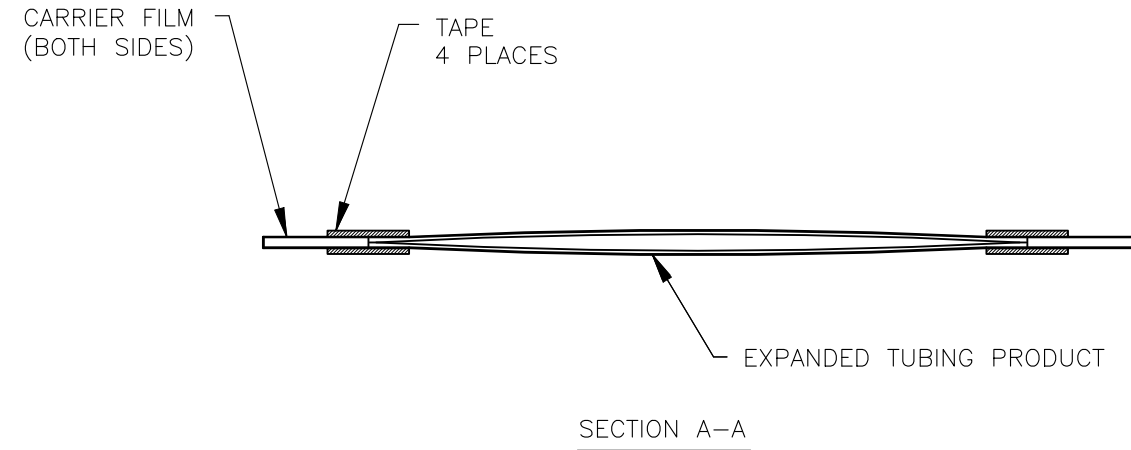
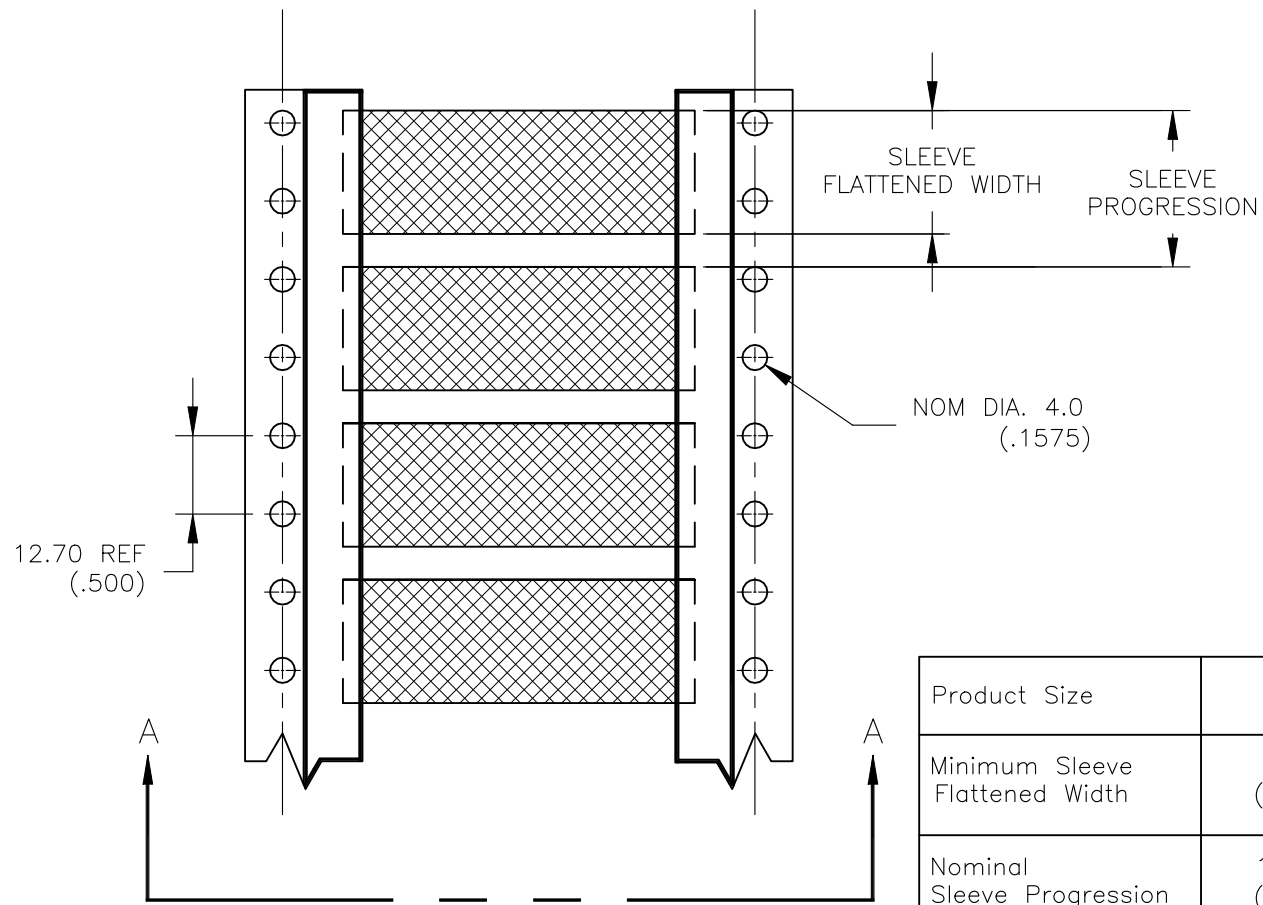


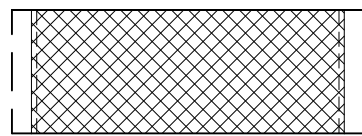
P	LTR	DESCRIPTION	DATE	DWN	APVD
	F2	REVISED PER ECR-24-215587	25JUL24	GH	AK



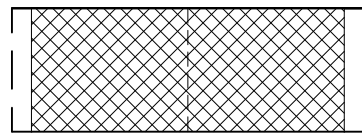
Product Size	2.4	3.2	4.8	6.4	9.5	12.7	19.0	25.4	38.1
Minimum Sleeve Flattened Width	4.3 (.169)	6.5 (.256)	8.9 (.350)	11.0 (.433)	15.7 (.618)	20.7 (.815)	30.7 (1.209)	41.1 (1.618)	61.0 (2.402)
Nominal Sleeve Progression	12.70 (.500)	12.70 (.500)	12.70 (.500)	16.94 (.667)	25.40 (1.000)	29.64 (1.167)	42.34 (1.667)	50.80 (2.00)	72.0 (2.835)
"D" Minimum Supplied I.D.	2.40 (.094)	3.20 (.125)	4.80 (.189)	6.40 (.250)	9.50 (.375)	12.7 (.500)	19.0 (.750)	25.4 (1.00)	38.1 (1.50)
"d" Maximum Recovered I.D.	1.19 (.047)	1.60 (.063)	2.40 (.094)	3.20 (.126)	4.80 (.189)	6.40 (.250)	9.50 (.375)	12.7 (.500)	19.1 (.750)
"W" Recovered wall	0.50±0.10 (.020±.004)	0.50±0.10 (.020±.004)	0.51±0.11 (.020±.004)	0.65±0.15 (.026±.006)	0.65±0.15 (.026±.006)	0.65±0.15 (.026±.006)	0.75±0.15 (.030±.006)	0.90±0.15 (.035±.006)	1.00±0.20 (.039±.008)

DIMENSIONS IN MM (INCHES)

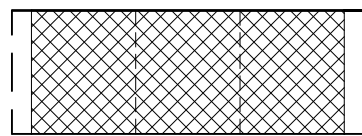
SCORING OPTIONS



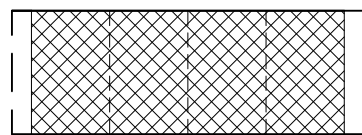
SIDE SCORE



S1

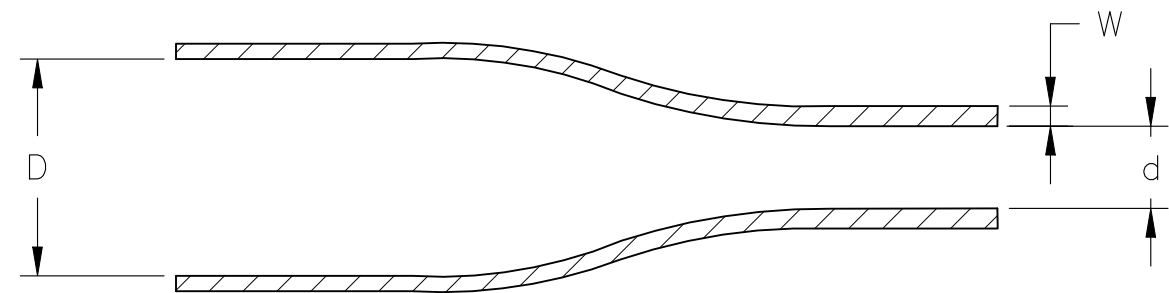


S2



S3

NOTE:
1. SIDE SCORE ALSO AVAILABLE WITH S1, S2, & S3



THIS DRAWING IS A CONTROLLED DOCUMENT.		DWN Alan Kean 12FEB2020	TE Connectivity		
		CHK Alan Kean 12FEB2020			
		APVD Alan Kean 12FEB2020	NAME HX-SCE		
DIMENSIONS: mm		TOLERANCES UNLESS OTHERWISE SPECIFIED:		PRODUCT SPEC RW-2072	
		0 PLC ± - 1 PLC ± - 2 PLC ± - 3 PLC ± - 4 PLC ± - ANGLES ± -		APPLICATION SPEC 411-121008	
MATERIAL CROSSLINKED POLYOLEFIN		FINISH -		SIZE A30198G	CAGE CODE C-MCD190000
CUSTOMER DRAWING			WEIGHT VARIOUS	DRAWING NO	RESTRICTED TO -
			SCALE NTS	SHEET 1 OF 1	REV F2