

SPECIFICATIONS:

Contact current Rating:
1.8 Amperes for pin1&pin4.
0.25 Amperes other contacts

Dielectric Withstanding Voltage:AC 100V(RMS)
Insulation resistance:100Megohms Minimum.

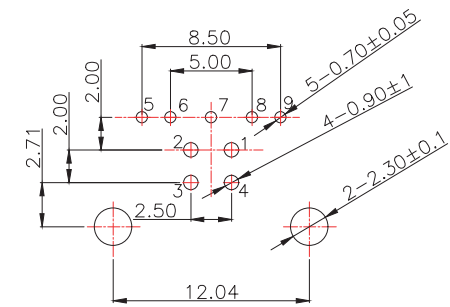
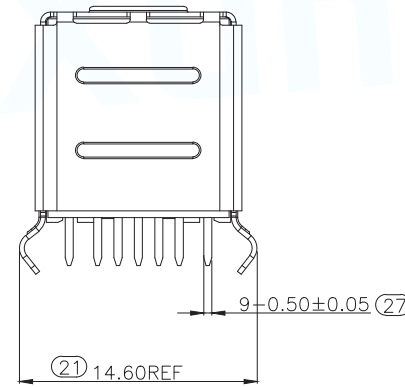
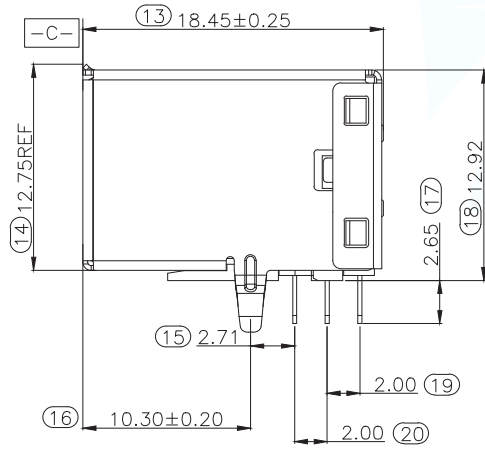
Contact Resistance:
30mΩ Max for pin1&pin4
50mΩ Max for other contacts

Mechanical Characteristics:
Mating Force:35 Newtons.Maximum
Unmating Force:10 Newtons.Minimum.

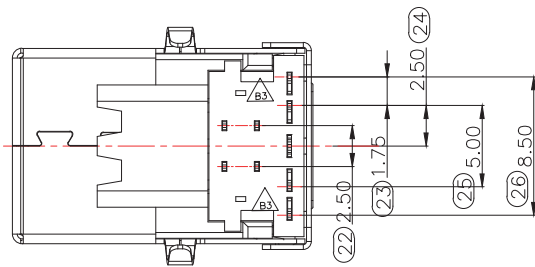
MATERIAL:
8N Min After Durability
Housing: PBT+30%GF 94V-0 COLOR:BLUE
Contact: copper alloy(T=0.25mm)
Shell: Brass

PLATING:
Contact: Au Plated on contact area
Tin Plated on solder area
Nickel underplating over all

Shell: Nickel Plated
operating Temperature:-55°to+85°

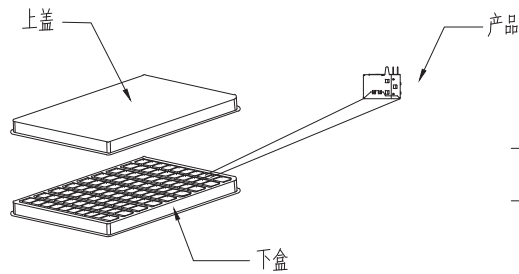


REFERENCE PCB LAYOUT

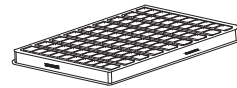


Pin Number	Signal Name	Pin Number	Signal Name
1	VBUS	5	StdB_SSTX-
2	D-	6	StdB_SSTX+
3	D+	7	GND_DRAIN
4	GND	8	StdB_SSRX-
Shell	Shield	9	StdB_SSRX+

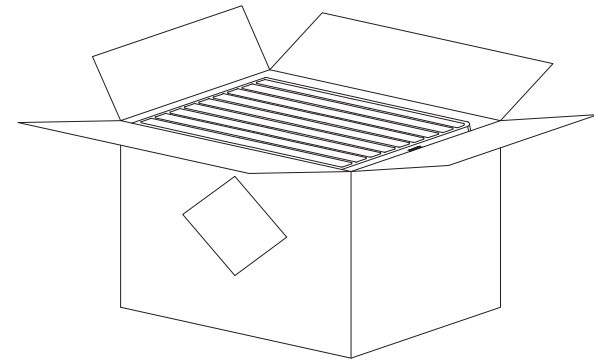
MANUFACTURE DWG			东莞市讯普电子科技有限公司 DongGuan XunPu Electronics Co.,Ltd	
UNLESS OTHERWISE SPECIFIED TOLERANCES			TITLE: USB 3.0 BF 90°DIP(H=12.9)	
DECIMALS:	ANGLES:	PAR	USB-306BWD-ARW	
.X:±0.30	.X':±3°	DWN		
.XX:±0.20	.XX':±2°	CHKD		
.XXX:±0.10		APVD		
		SCALE:1:1	UNIT:MM	
		CUSTOMER COPY	SIZE:A4	
			SHEET:1F1	REV:A



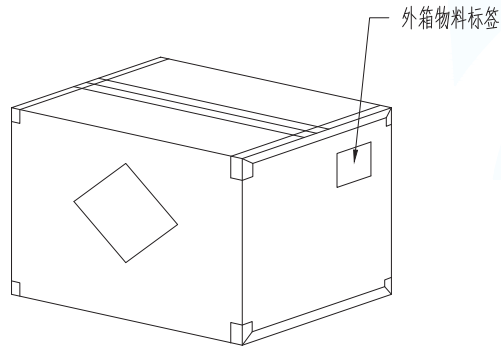
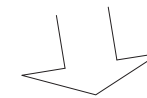
① PE真空盒(1Set).



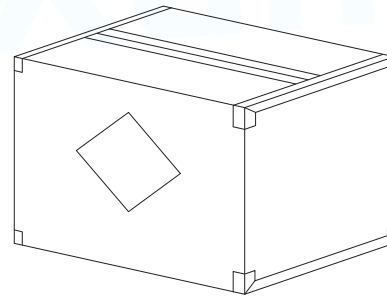
② 100Pcs/盒,10盒1扎用PE模包扎.



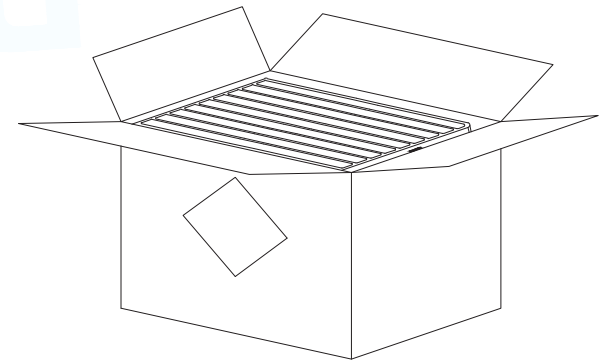
③ 20盒/箱(2k).



⑥ 依图示粘贴产品或ROHS标签.



⑤ 外箱用透明胶纸带封"工"字型.



④ 每箱放置20盒*1,若尾数箱在空间处加装填充物.

MANUFACTURE DWG		 东莞市讯普电子科技有限公司 DongGuan XunPu Electronics Co.,Ltd	
UNLESS OTHERWISE SPECIFIED TOLERANCES			TITLE: USB 3.0 BF 90°DIP(H=12.9)
			PAR USB-306BWD-ARW
DECIMALS:	ANGLES:		DWN
.X:±0.30	.X':±3°		CHKD
.XX:±0.20	.XX':±2°	APVD	
.XXX:±0.10		CUSTOMER COPY	SCALE:1:1 UNIT:MM
			SIZE:A4 SHEET:1F1
			REV:A