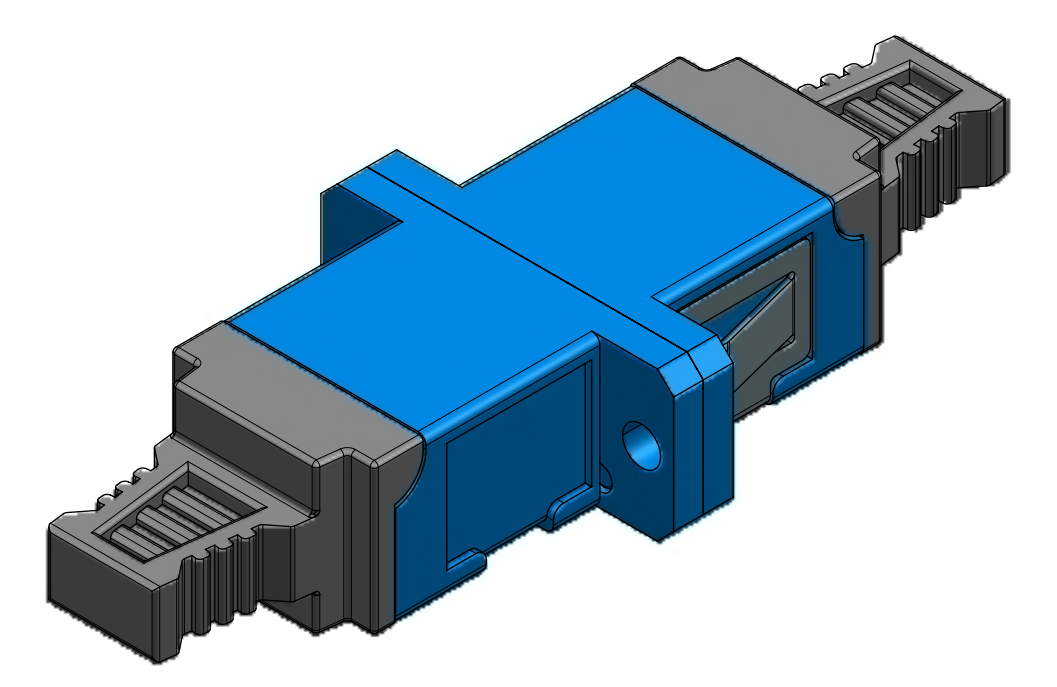
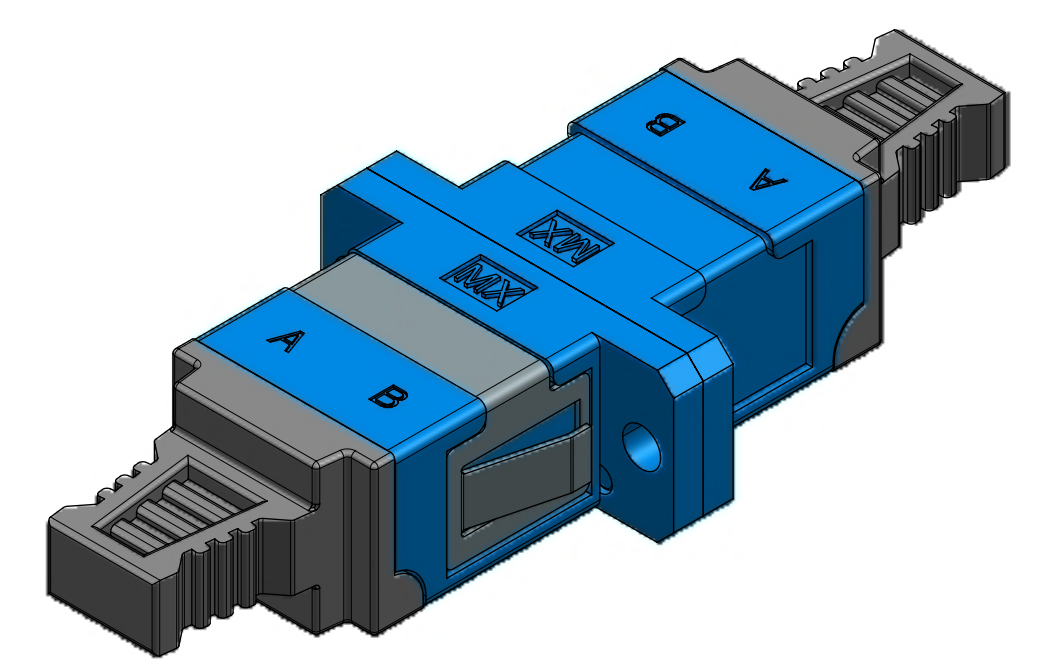
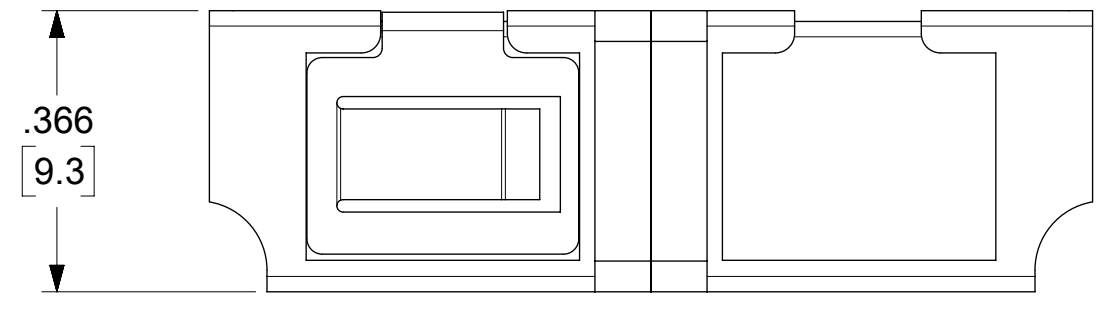
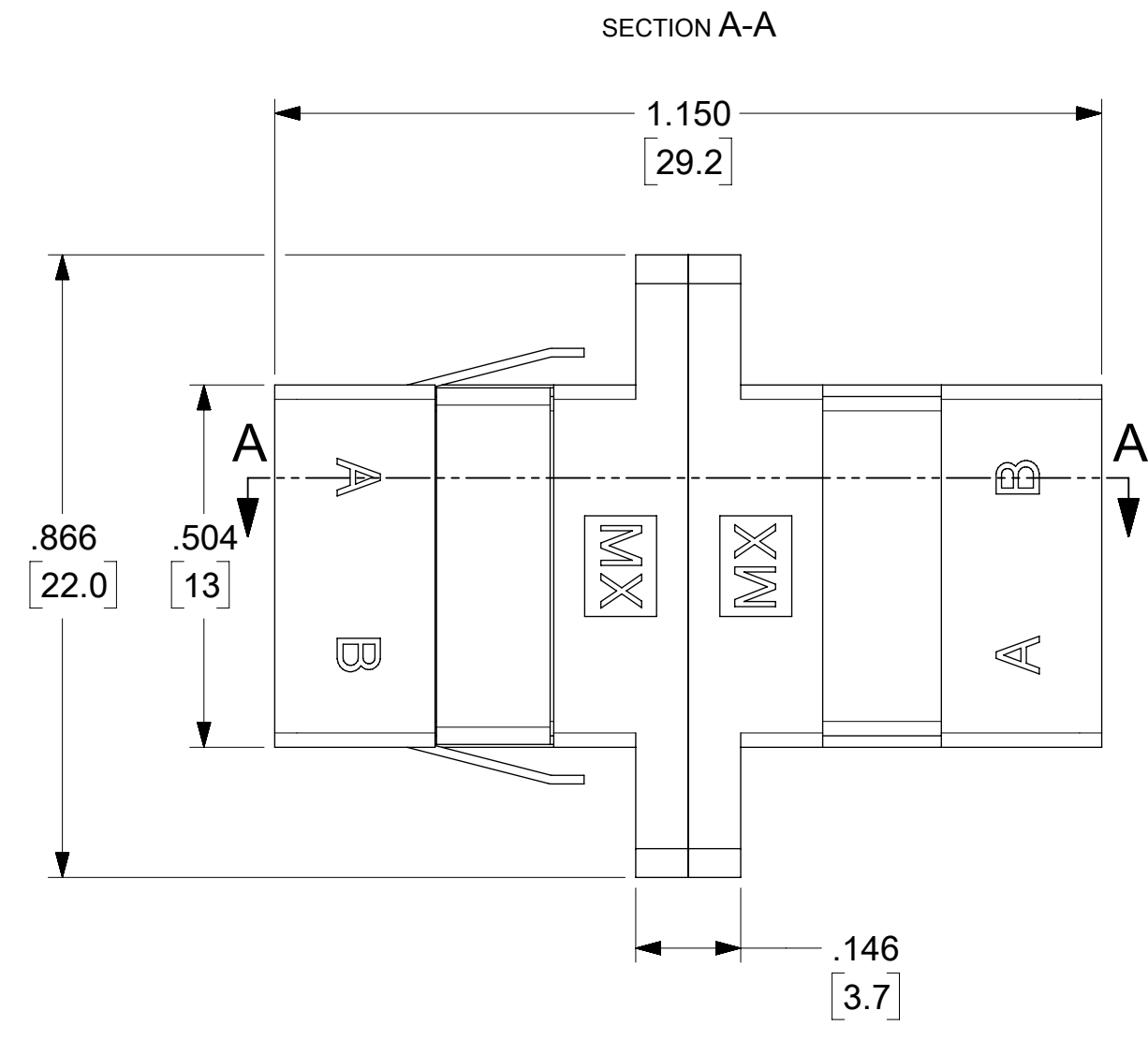
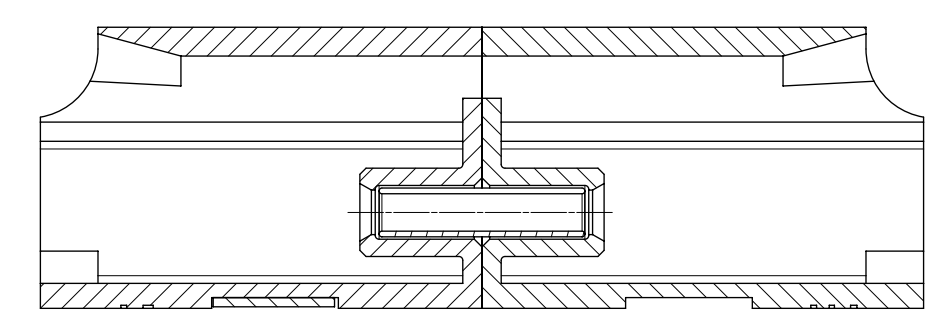
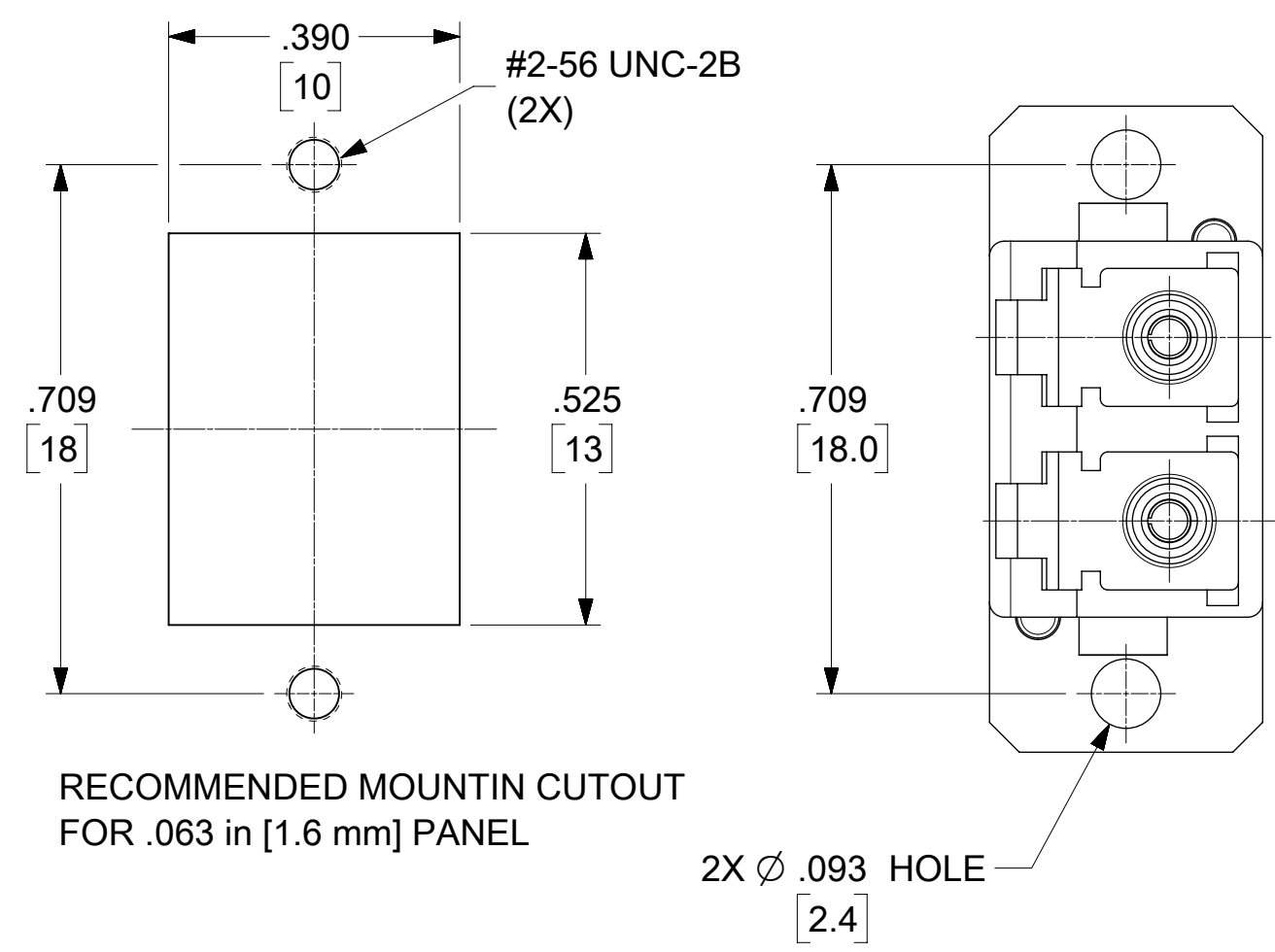


LC ADAPTER P/N	ADAPTER COLOR	LC SLEEVE MATERIAL
1061261300	BLUE	Zr
1061261310 (see note 3)		
1061260310	BEIGE	Ph Bronze
1061260320 (see note 3)		
1061261350	GREEN	Zr
1061261320 (see note 3)		
1061261330		
1061261340		



- NOTES:
1. ALL DIMENSIONS ARE FOR REFERENCE ONLY.
 2. DUST CAPS ARE SHOWN IN ISOMETRIC VIEWS ONLY.
 3. P/NS 1061260320 & 1061261310 ARE BULK PACKED IN QUANTITIES OF 100 pcs.
P/N 1061261320 IS BULK PACKED IN QUANTITY OF 25pcs.

THIS DRAWING CONTAINS INFORMATION THAT IS PROPRIETARY TO MOLEX ELECTRONIC TECHNOLOGIES, LLC AND SHOULD NOT BE USED WITHOUT WRITTEN PERMISSION									
SYMBOLS		DIMENSION UNITS		SCALE		CURRENT REV DESC:			
▽ = 0	▽ = 0	▽ = 0	▽ = 0	▽ = 0	▽ = 0	▽ = 0	▽ = 0	▽ = 0	▽ = 0
HYBRID		4:1		GENERAL TOLERANCES (UNLESS SPECIFIED)		EC NO: 616495			
ANGULAR TOL ± 0.5°		4 PLACES ±		3 PLACES ±		2 PLACES ±		1 PLACE ±	
DRAFT WHERE APPLICABLE MUST REMAIN WITHIN DIMENSIONS		THIRD ANGLE PROJECTION		DRAWING		SERIES		MATERIAL NUMBER	
C-SIZE		106126		SEE TABLE		CUSTOMER		SHEET NUMBER	
DOCUMENT STATUS				P1		RELEASE DATE		2019/05/07 02:53:30	
molex		LC DUPLEX ADAPTER (STANDARD FLANGE/ SC FOOTPRINT)				PRODUCT CUSTOMER DRAWING			
SD-106126-X3X0		PSD		001		A2		1 OF 1	