

Specifications: **CTF Series**

Features:

- *CTF is **green** color with clamp in the *open* position
- *Double captive screws
- *2 to 25 positions single mold
- *Elevator clamp system
- *Use with CTM headers
- *Housing is resistant to chlorinated solvents, with no dioxin or detrimental to health halogens
- *Every position of this product is mechanically and electrically tested during assembly to ensure a 100% defect free product
- *Minimum 5 microns of tin plating on terminal for easy soldering
- *3.5 or 3.81mm spacing
- *Locking screw flange available

Electrical

- Current(3.5/3.81): 11A @ 300V
- Wire range: 14 to 30 AWG
- Wire section(mm²): 0.05 to 2.5mm²
- CR: <15 mΩ
- IR: >10⁹ Ω (500V DC)
- Operating temp: -40°C to 105°C
- Stripping length: 5mm
- Torque: 0.25Nm
- PCB holes: N/A
- PCB thickness: N/A
- Climactic category: 40/110/21 Acc. to IEC 68-1
- Insertion force: max 3N
- Disconnection force: min 1.5N

Materials

- Housing: Polyamide 6,6 (UL94V-0)
- Clamp: Copper alloy, Ni plated
- Spring/leaf contact: Phosphorus bronze, Tin plated
- Screw: M2, copper alloy, Ni plated
- Colors available: Green

Marking

Ink marking by factory (specify in order number):
 Factory ink is permanent and will not rub off. Ink has fluorescent tint for greater visibility.

0=no printing

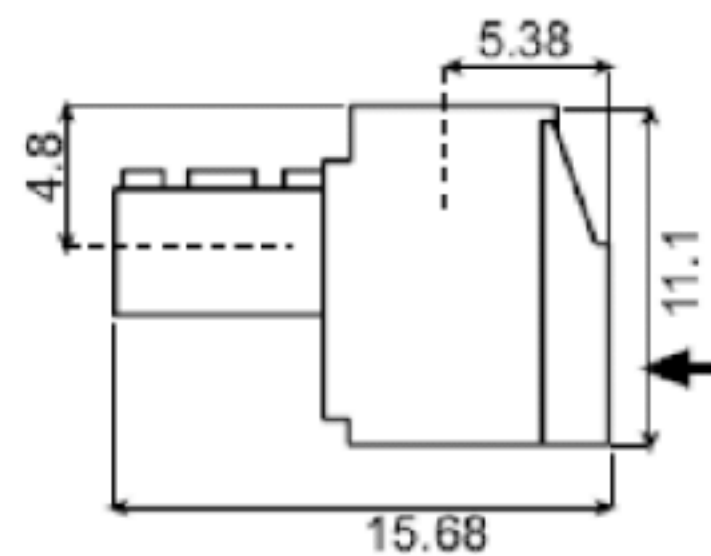
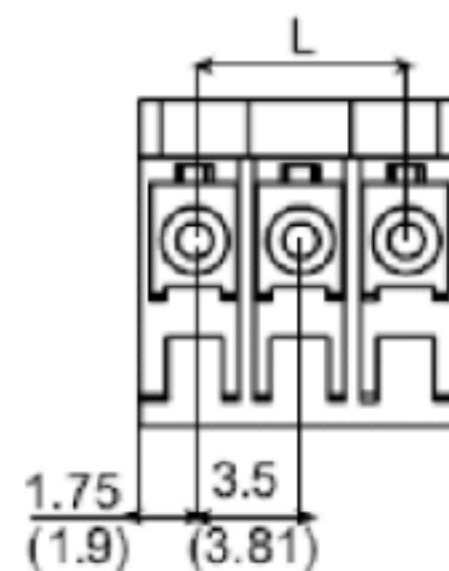
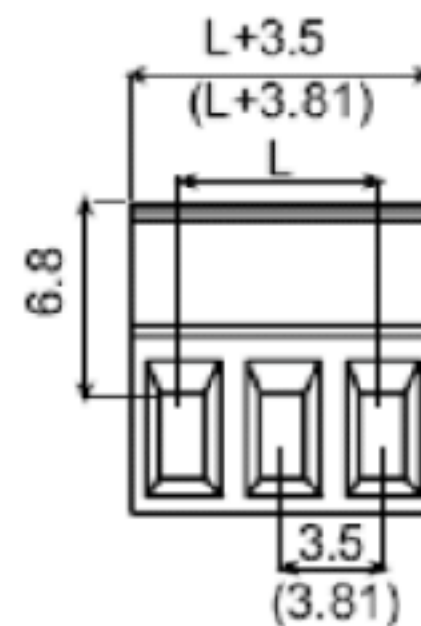
A=upside down printing (consecutive #'s R to L)

B=regular printing (consecutive #'s L to R)

Custom markings are w/c ome with minimum order.
 Contact factory for information.

****ALL SPECIFICATIONS FOR THIS PRODUCT ARE PRELIMINARY. CONSULT BLOCKMASTER FOR THE MOST RECENT SPECIFICATIONS.**

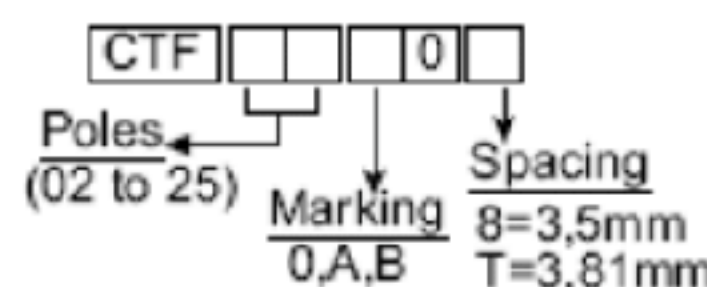
11A 300V 3.5 and 3.81mm



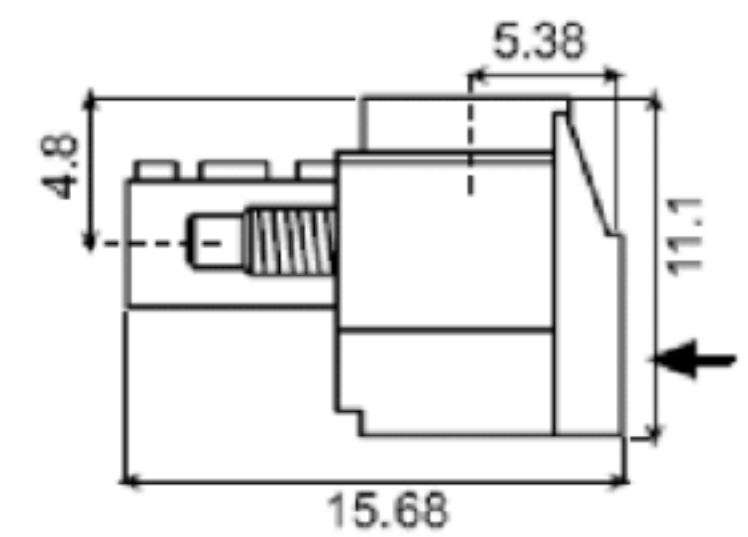
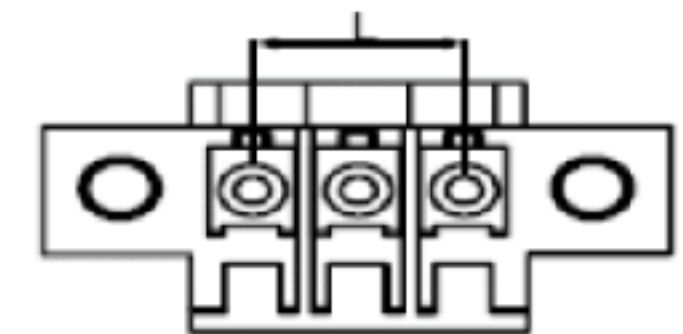
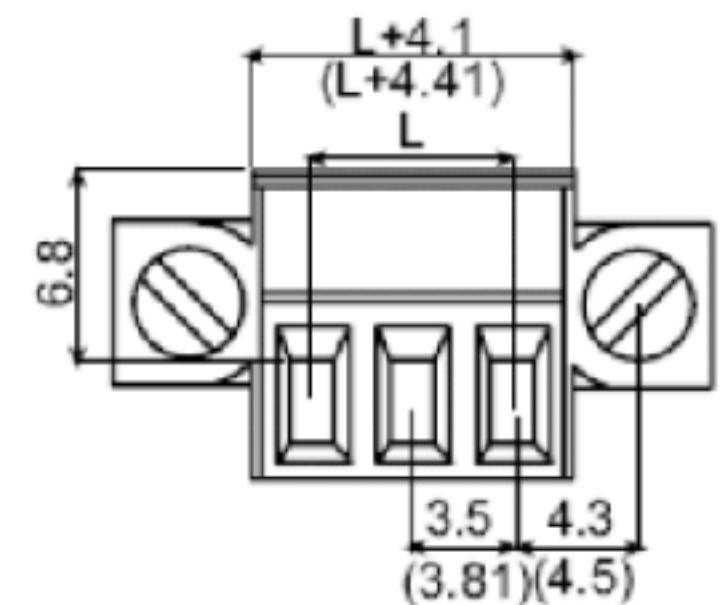
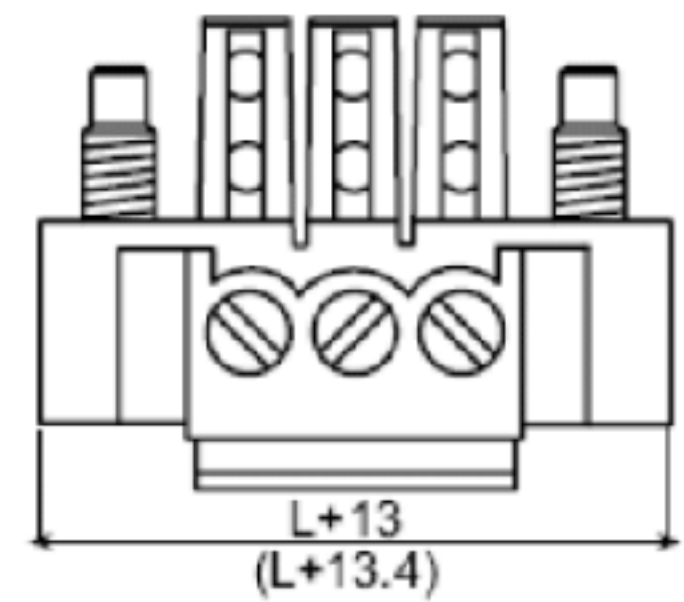
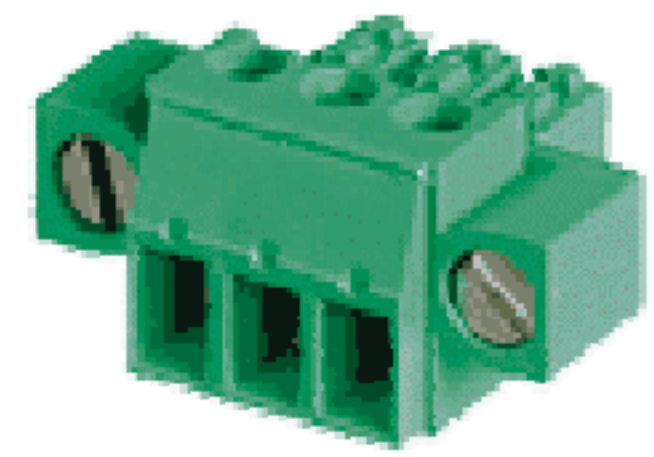
Dimensions

n=number of poles
 L=(n-1) x 3.81

Ordering Information



11A 300V 3.5 and 3.81mm



Dimensions

n=number of poles
 L=(n-1) x 3.81

Ordering Information

