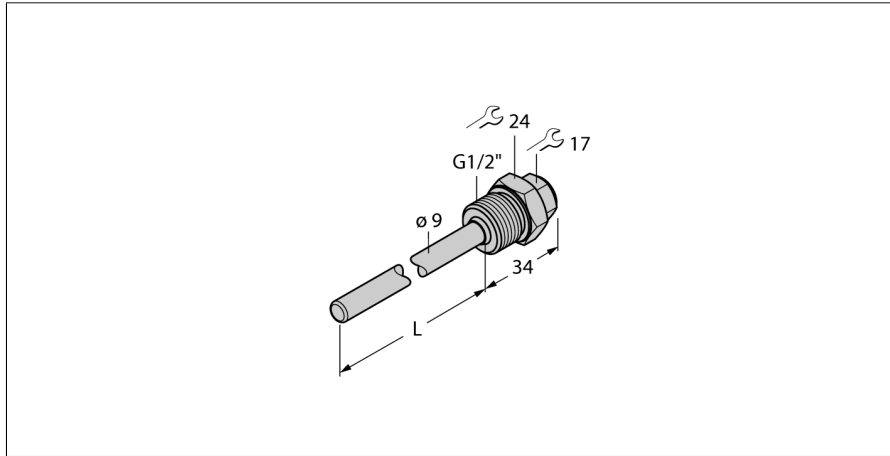


**Accessories**  
**Thermowell**  
**For Temperature Sensors**  
**THW-6-G1/2-A4-L100**



- Thermowell for mounting temperature probes
- End tip diameter 6 mm
- Process connection G1/2" male thread
- Immersion depth 100 mm

**General description**

Thermowells protect the probes against aggressive substances and high pressures. The probes do not come into contact with any media. They can be replaced without interrupting the process.

<b>Type designation</b>	THW-6-G1/2-A4-L100
Ident-No.	9910460
<b>Type</b>	THW-6-G1/2-A4-L100
Ident. no.	9910460
<b>Temperature range</b>	
Measuring range	-50...350 °C
Temperature operating range	-58...662 °F
Immersion depth (L)	100 mm
<b>Housing</b>	
Housing material	Stainless steel, V4A (1.4404)
Internal diameter	7 mm
Process connection	G 1/2" male thread
Process Pressure	400 bar
Max. tightening torque housing nut	100 Nm