

MSQ

Functional Characteristics



Dimensional Class:
High



Standard Colour:
Green



Height:
19 mm (.748 in)



Max Approved Wire sections:
Solid: 4 mm² (IMQ); 11 AWG (CSA)
Stranded: 2.5 mm² (IMQ); 11 AWG (CSA)

Clamp Opening Size:
2.6 x 3.5 mm (.102 x .138 in)



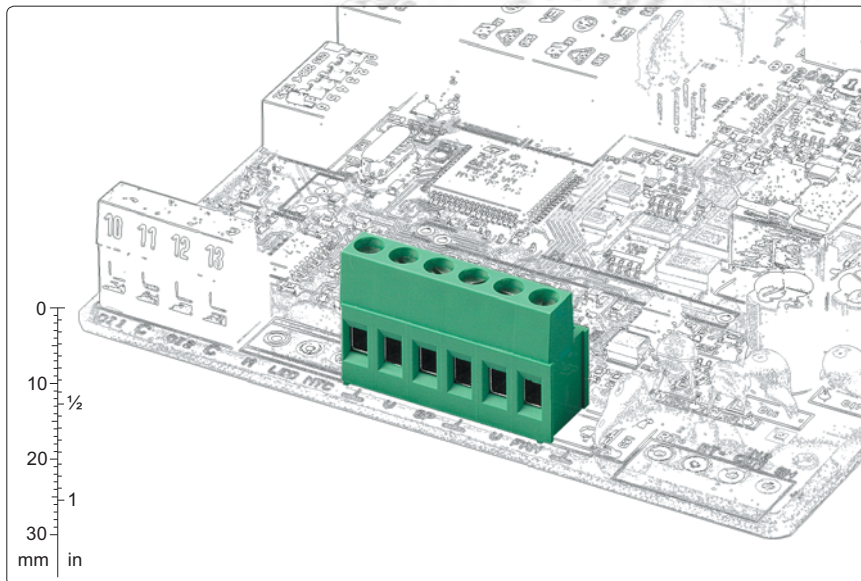
Versions:
Modular
Single Mould Poles:
from 2 to 25



Pitches:
Metric 5 mm, 7.5 mm, 10 mm
(.197 in, .295 in, .394 in)



Imperial 5.08 mm, 7.62 mm, 10.16 mm
(.200 in, .300 in, .400 in)



pitch 5/5.08 mm
from 2 to 25 poles
straight, modular



pitch 7.5/7.62 mm
from 2 to 5 poles
Straight, modular



pitch 10/10.16 mm
from 2 to 13 poles
Straight, modular



pitch 5/5.08 mm
from 2 to 25 poles
90° version, modular



pitch 10/10.16 mm
from 2 to 13 poles
90°, modular

Pat.



available accessories:
from 2 to 9 poles
BSC for rising clamp
see also "Accessories", page 268

Brief Description

With the **MSQ** modular series terminal blocks for PCBs, wires up to 4mm² (11 AWG) can be used and consequently a current range of 32A certified can be reached.

It is available in 5 mm (.197 in), 7.5 mm (.294 in) and 10 mm (.394 in) metric pitches, and in 5.08 mm (.200 in), 7.62 mm (.300 in) and 10.16 mm (.400 in) Imperial pitches, in monolithic blocks from 2 to 25 poles, with insertion of the wire parallel or vertical in relation to the PCB.

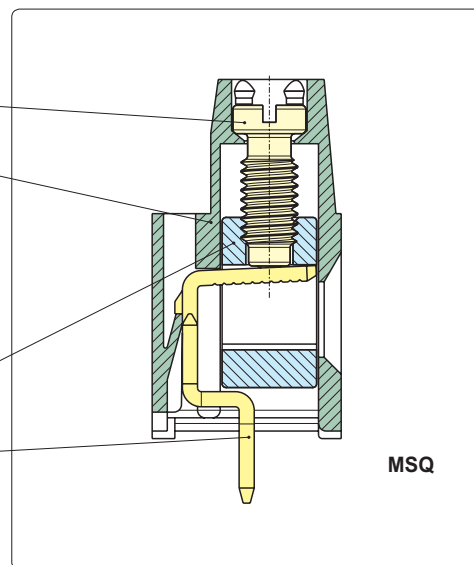
All the housings are modular, therefore it is possible to compose the monolithic terminal blocks from 2 to 25 poles separately, or to compose

the basic terminal blocks until any number of poles is obtained. By taking advantage of this particular characteristic a minimum stock of basic terminal blocks can be kept.

It is simple to manage the product, the warehouse and the assembly with the Kit packages because several versions can be received with only one code, the part-numbers are significantly reduced and the risk of making mistakes is also reduced.

Characteristics of Components

- M3 nickel plated Copper Alloy Screw.
- PA 6.6.Polyamide Housing.
Standard Colour: GREEN.
V0 Self-extinguishing according to UL 94.
Chlorinated solvents resistant,
with no Phosphor, Dioxin or
detrimental to health Halogens.
- Nickel plated Copper Alloy Clamp
- Easy to solder lead-free
tin-plated Copper Alloy Pin.



Mechanical characteristics

Recommended/Highest tightening torque	0.5/0.6 Nm (4.42/5.31 lbf in)
PCB Thickness:	max. 2.4 mm (.094 in)
PCB Hole Diameter:	min. 1.4 mm (.055 in)
Stripping length	6.5 ÷ 7 mm (.26 ÷ .28 in)
Operating temperature range	-40 °C ÷ +110 °C (-40 °F ÷ +230 °F)
Climatic category	40/110/21 According to EN 60068-1

Electric characteristics*

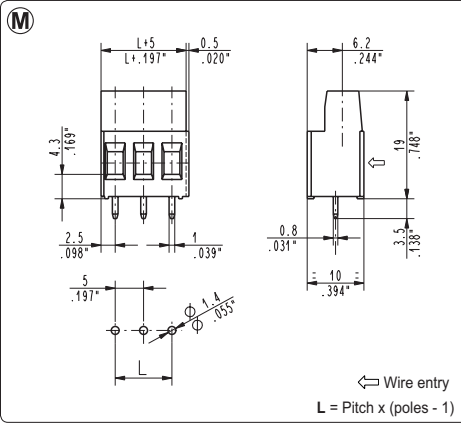
Solid wire section	30÷11 AWG (CSA)* 0.05 ÷ 4 mm ² (IMQ)*
Stranded wire section	30÷11 AWG (CSA)* 0.05 ÷ 2.5 mm ² (IMQ)*
Rated voltage for 5 mm (.197 in) and 5.08 mm (.200 in)	300 V (UL, CSA)*
Rated voltage for 7.5 mm (.295 in) and 7.62 mm (.300 in)	750 V (IMQ)*
Rated voltage for 10 mm (.394 in) and 10.16 mm (.400 in)	750 V (IMQ)*
Rated current	32 A (IMQ)*
Contact resistance	<15 mΩ
Insulation resistance	>10 ⁹ Ω (500V DC)

*All the above mentioned data refer to the highest values amongst the certificated ones.
V voltage, I current values and tightening torque are related to the norms to be applied to the product and to its use.

Approvals

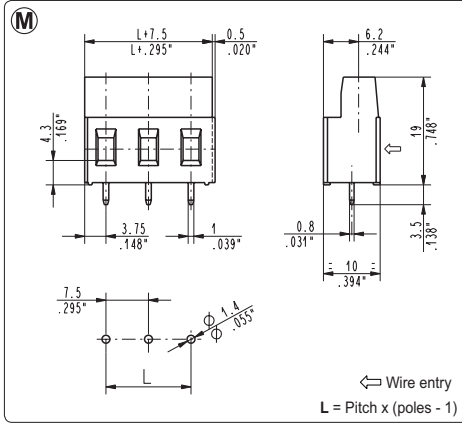
	CE:	250 V - T 110 - 32 A - 4 mm ² solid (24 A - 2.5 mm ² stranded) for 5 mm and 5.08 mm pitch 750 V - T 110 - 32 A - 4 mm ² solid (24 A - 2.5 mm ² stranded) for 7.5 mm, 7.62 mm, 10 mm and 10.16 mm pitch
	UL: File E 167473	300 V - 24 A (Factory Wiring), 20 A (Field Wiring) - 30÷12 AWG for 5 mm, 5.08 mm, 7.5 mm and 7.62 mm pitch 600 V - 24 A (Factory Wiring), 20 A (Field Wiring) - 30÷12 AWG for 10 mm and 10.16 mm pitch Application values for end-use equipment have to be in accordance to UL norms and applicable to it.
	CSA: File LR 102896	300 V - 24 A - 30÷11 AWG for 5 mm, 5.08 mm pitch 450 V - 24 A - 30÷11 AWG for 7.5 mm, 7.62 mm pitch 600 V - 24 A - 30÷11 AWG for 10 mm and 10.16 mm pitch
	VDE: Reg. N. 5659 ÜG	250 V - 20 A - T 110 - 2.5 mm ² for 5 mm and 5.08 mm pitch 450 V - 24 A - T 110 - 2.5 mm ² for 7.5 mm and 7.62 mm pitch 750 V - 24 A - T 110 - 2.5 mm ² for 10 mm and 10.16 mm pitch
	IMQ: File: EB731	250 V - T 110 - 32 A - 4 mm ² solid (24 A - 2.5 mm ² stranded) for 5 mm and 5.08 mm pitch 750 V - T 110 - 32 A - 4 mm ² solid (24 A - 2.5 mm ² stranded) for 7.5 mm, 7.62 mm, 10 mm and 10.16 mm pitch

See also "Certifications of Products", page 14



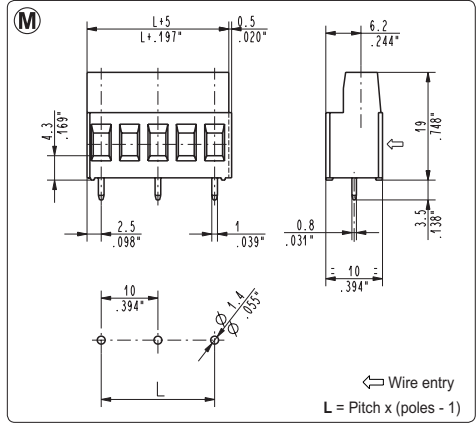
MSQ_001 Straight, Modular-Side Entry

5 mm / .197" Pitch		Weight per pole: 2.03 g			
Poles	STD Code	Pcs/pack.	W [kg]*	Pcs/Ind.**	W [kg]*
02	MSQ02001	350	1,42	2000	8,12
03	MSQ03001	225	1,37	1250	7,61
04	MSQ04001	175	1,42	1000	8,12
05	MSQ05001	125	1,27	750	7,61
06	MSQ06001	125	1,52	750	9,14
07	MSQ07001	100	1,42	500	7,11
08	MSQ08001	75	1,22	500	8,12
09	MSQ09001	75	1,37	500	9,14
10	MSQ10001	75	1,52	500	10,15
11	MSQ11001	75	1,67	250	5,58
12	MSQ12001	50	1,22	250	6,09
13	MSQ13001	50	1,32	250	6,60
14	MSQ14001	50	1,42	250	7,11
15	MSQ15001	50	1,52	250	7,61
16	MSQ16001	50	1,62	250	8,12
17	MSQ17001	50	1,73	200	6,90
18	MSQ18001	50	1,83	200	7,31
19	MSQ19001	25	0,96	200	7,71
20	MSQ20001	25	1,02	200	8,12
21	MSQ21001	25	1,07	200	8,53
22	MSQ22001	25	1,12	200	8,93
23	MSQ23001	25	1,17	200	9,34
24	MSQ24001	25	1,22	150	7,31
25	MSQ25001	25	1,27	150	7,61



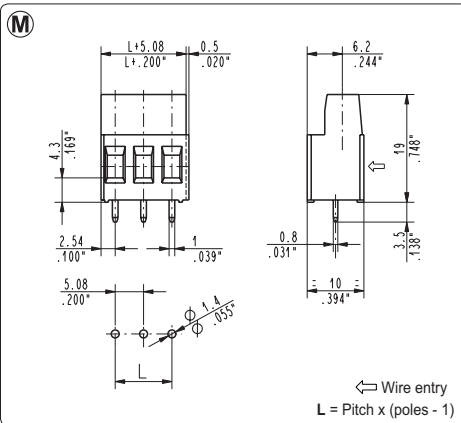
MSQ_003 Straight, Modular-Side Entry

7.5 mm / .295" Pitch		Weight per pole: 2.40 g			
Poles	STD Code	Pcs/pack.	W [kg]*	Pcs/Ind.**	W [kg]*
02	MSQ02003	225	1,08	1250	6,00
03	MSQ03003	150	1,08	750	5,40
04	MSQ04003	100	0,96	500	4,80



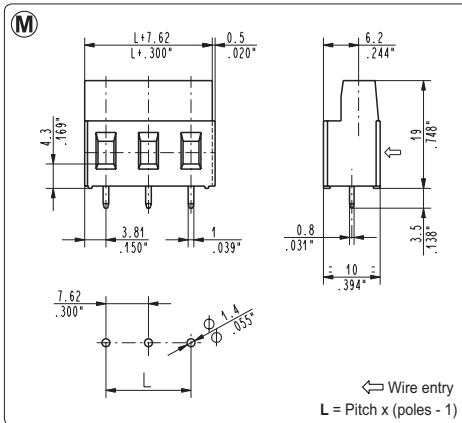
MSQ_002 Straight, Modular-Side Entry

10 mm / .394" Pitch		Weight per pole: 2.51 g			
Poles	STD Code	Pcs/pack.	W [kg]*	Pcs/Ind.**	W [kg]*
01	MSQ01002	350	0,88	2000	5,02
02	MSQ02002	225	1,13	1250	6,28
03	MSQ03002	125	0,94	750	5,65
04	MSQ04002	100	1,00	500	5,02
05	MSQ05002	75	0,94	500	6,28
06	MSQ06002	75	1,13	500	7,53
07	MSQ07002	50	0,88	250	4,39
08	MSQ08002	50	1,00	250	5,02
09	MSQ09002	50	1,13	250	5,65
10	MSQ10002	25	0,63	250	6,28
11	MSQ11002	25	0,69	250	6,90
12	MSQ12002	25	0,75	250	7,53
13	MSQ13002	25	0,82	250	8,16



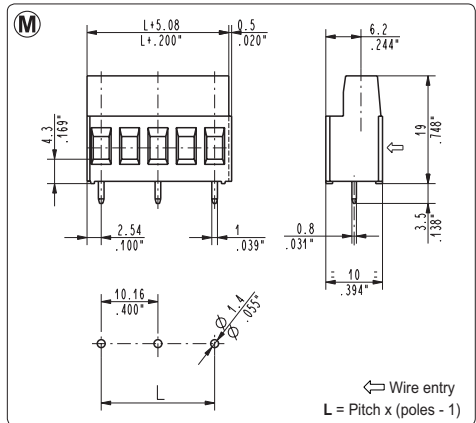
MSQ_005 Straight, Modular-Side Entry

5.08 mm / .200" Pitch		Weight per pole: 2.03 g			
Poles	STD Code	Pcs/pack.	W [kg]*	Pcs/Ind.**	W [kg]*
02	MSQ02005	350	1,42	2000	8,12
03	MSQ03005	225	1,37	1250	7,61
04	MSQ04005	175	1,42	1000	8,12
05	MSQ05005	125	1,27	750	7,61
06	MSQ06005	125	1,52	750	9,14
07	MSQ07005	100	1,42	500	7,11
08	MSQ08005	75	1,22	500	8,12
09	MSQ09005	75	1,37	500	9,14
10	MSQ10005	75	1,52	500	10,15
11	MSQ11005	75	1,67	250	5,58
12	MSQ12005	50	1,22	250	6,09
13	MSQ13005	50	1,32	250	6,60
14	MSQ14005	50	1,42	250	7,11
15	MSQ15005	50	1,52	250	7,61
16	MSQ16005	50	1,62	250	8,12
17	MSQ17005	50	1,73	200	6,90
18	MSQ18005	50	1,83	200	7,31
19	MSQ19005	25	0,96	200	7,71
20	MSQ20005	25	1,02	200	8,12
21	MSQ21005	25	1,07	200	8,53
22	MSQ22005	25	1,12	200	8,93
23	MSQ23005	25	1,17	200	9,34
24	MSQ24005	25	1,22	150	7,31
25	MSQ25005	25	1,27	150	7,61



MSQ_007 Straight, Modular-Side Entry

7.62 mm / .300" Pitch		Weight per pole: 2.40 g			
Poles	STD Code	Pcs/pack.	W [kg]*	Pcs/Ind.**	W [kg]*
02	MSQ02007	225	1,08	1250	6,00
03	MSQ03007	150	1,08	750	5,40

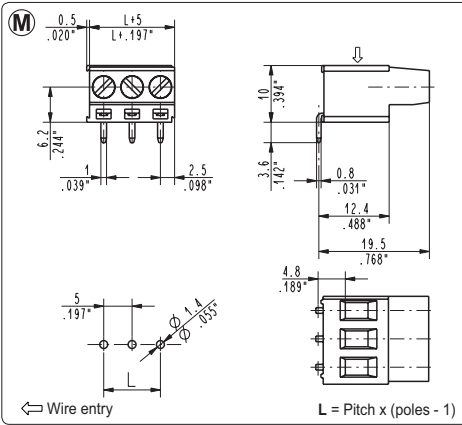


MSQ_006 Straight, Modular-Side Entry

10.16 mm / .400" Pitch		Weight per pole: 2.51 g			
Poles	STD Code	Pcs/pack.	W [kg]*	Pcs/Ind.**	W [kg]*
01	MSQ01006	350	0,88	2000	5,02
02	MSQ02006	225	1,13	1250	6,28
03	MSQ03006	125	0,94	750	5,65
04	MSQ04006	100	1,00	500	5,02
05	MSQ05006	75	0,94	500	6,28
06	MSQ06006	75	1,13	500	7,53
07	MSQ07006	50	0,88	250	4,39
08	MSQ08006	50	1,00	250	5,02
09	MSQ09006	50	1,13	250	5,65
10	MSQ10006	25	0,63	250	6,28
11	MSQ11006	25	0,69	250	6,90
12	MSQ12006	25	0,75	250	7,53
13	MSQ13006	25	0,82	250	8,16

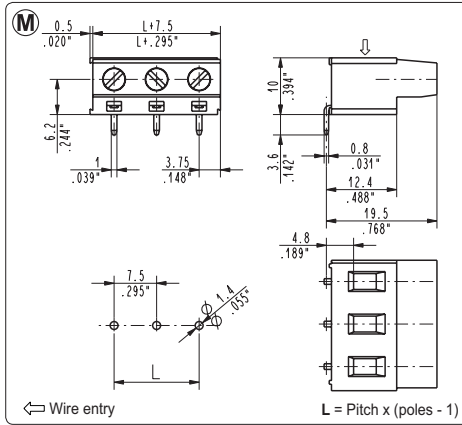
*W [kg]: Approximate Weight per box in kg

**Industrial packaging: add "-00000E" at standard code



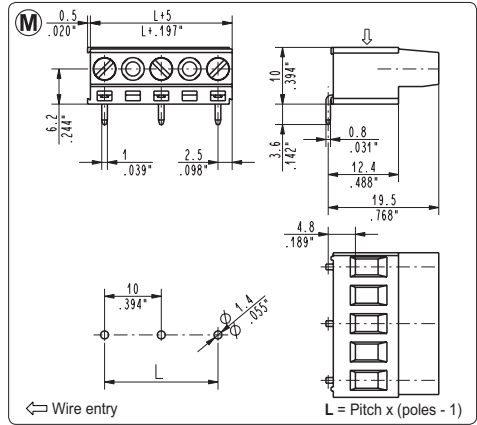
MSQ_091 90° Modular, Top Entry

5 mm / .197" Pitch		Weight per pole: 2.03 g			
Poles	STD Code	Pcs/pack.	W [kg]	Pcs/Ind.**	W [kg]*
02	MSQ02091	350	1,42	2000	8,12
03	MSQ03091	225	1,37	1250	7,61
04	MSQ04091	175	1,42	1000	8,12
05	MSQ05091	125	1,27	750	7,61
06	MSQ06091	125	1,52	750	9,14
07	MSQ07091	100	1,42	500	7,11
08	MSQ08091	75	1,22	500	8,12
09	MSQ09091	75	1,37	500	9,14
10	MSQ10091	75	1,52	500	10,15
11	MSQ11091	75	1,67	250	5,58
12	MSQ12091	50	1,22	250	6,09
13	MSQ13091	50	1,32	250	6,60
14	MSQ14091	50	1,42	250	7,11
15	MSQ15091	50	1,52	250	7,61
16	MSQ16091	50	1,62	250	8,12
17	MSQ17091	50	1,73	200	6,90
18	MSQ18091	50	1,83	200	7,31
19	MSQ19091	25	0,96	200	7,71
20	MSQ20091	25	1,02	200	8,12
21	MSQ21091	25	1,07	200	8,53
22	MSQ22091	25	1,12	200	8,93
23	MSQ23091	25	1,17	200	9,34
24	MSQ24091	25	1,22	150	7,31
25	MSQ25091	25	1,27	150	7,61



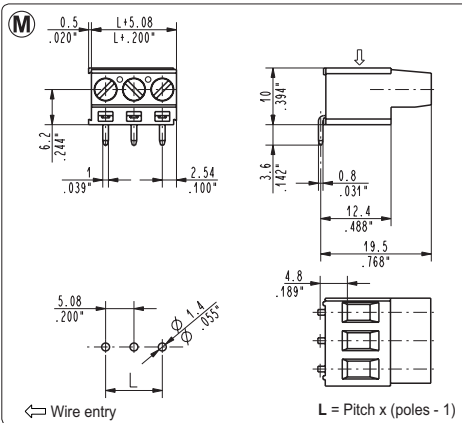
MSQ_093 90° Modular, Top Entry

7.5 mm / .295" Pitch		Weight per pole: 2.40 g			
Poles	STD Code	Pcs/pack.	W [kg]	Pcs/Ind.**	W [kg]*
02	MSQ02093	225	1,08	1250	6,00
03	MSQ03093	150	1,08	750	5,40
04	MSQ04093	100	0,96	500	4,80



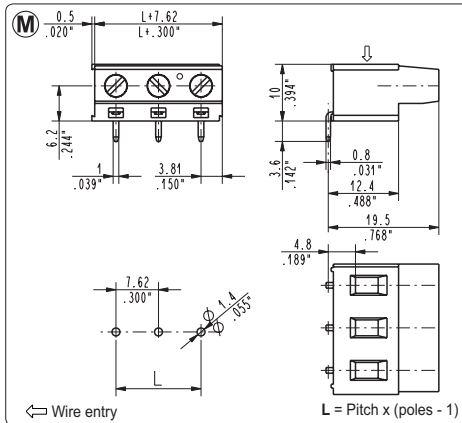
MSQ_092 90° Modular, Top Entry

10 mm / .394" Pitch		Weight per pole: 2.51 g			
Poles	STD Code	Pcs/pack.	W [kg]	Pcs/Ind.**	W [kg]*
01	MSQ01092	350	0,88	2000	5,02
02	MSQ02092	225	1,13	1250	6,28
03	MSQ03092	125	0,94	750	5,65
04	MSQ04092	100	1,00	500	5,02
05	MSQ05092	75	0,94	500	6,28
06	MSQ06092	75	1,13	500	7,53
07	MSQ07092	50	0,88	250	4,39
08	MSQ08092	50	1,00	250	5,02
09	MSQ09092	50	1,13	250	5,65
10	MSQ10092	25	0,63	250	6,28
11	MSQ11092	25	0,69	250	6,90
12	MSQ12092	25	0,75	250	7,53
13	MSQ13092	25	0,82	250	8,16



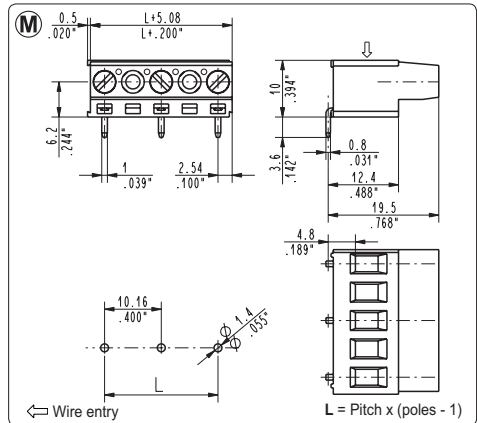
MSQ_095 90° Modular, Top Entry

5.08 mm / .200" Pitch		Weight per pole: 2.03 g			
Poles	STD Code	Pcs/pack.	W [kg]	Pcs/Ind.**	W [kg]*
02	MSQ02095	350	1,42	2000	8,12
03	MSQ03095	225	1,37	1250	7,61
04	MSQ04095	175	1,42	1000	8,12
05	MSQ05095	125	1,27	750	7,61
06	MSQ06095	125	1,52	750	9,14
07	MSQ07095	100	1,42	500	7,11
08	MSQ08095	75	1,22	500	8,12
09	MSQ09095	75	1,37	500	9,14
10	MSQ10095	75	1,52	500	10,15
11	MSQ11095	75	1,67	250	5,58
12	MSQ12095	50	1,22	250	6,09
13	MSQ13095	50	1,32	250	6,60
14	MSQ14095	50	1,42	250	7,11
15	MSQ15095	50	1,52	250	7,61
16	MSQ16095	50	1,62	250	8,12
17	MSQ17095	50	1,73	200	6,90
18	MSQ18095	50	1,83	200	7,31
19	MSQ19095	25	0,96	200	7,71
20	MSQ20095	25	1,02	200	8,12
21	MSQ21095	25	1,07	200	8,53
22	MSQ22095	25	1,12	200	8,93
23	MSQ23095	25	1,17	200	9,34
24	MSQ24095	25	1,22	150	7,31
25	MSQ25095	25	1,27	150	7,61



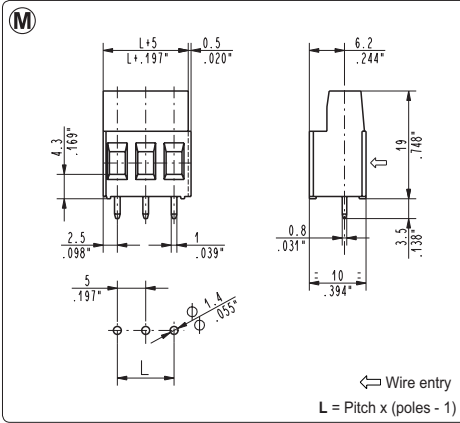
MSQ_097 90° Modular, Top Entry

7.62 mm / .300" Pitch		Weight per pole: 2.40 g			
Poles	STD Code	Pcs/pack.	W [kg]	Pcs/Ind.**	W [kg]*
02	MSQ02097	225	1,08	1250	6,00
03	MSQ03097	150	1,08	750	5,40



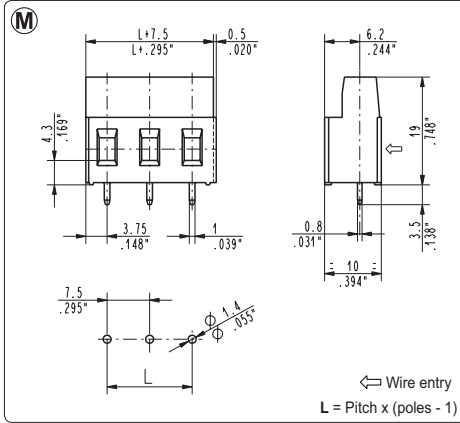
MSQ_096 90° Modular, Top Entry

10.16 mm / .400" Pitch		Weight per pole: 2.51 g			
Poles	STD Code	Pcs/pack.	W [kg]	Pcs/Ind.**	W [kg]*
01	MSQ01096	350	0,88	2000	5,02
02	MSQ02096	225	1,13	1250	6,28
03	MSQ03096	125	0,94	750	5,65
04	MSQ04096	100	1,00	500	5,02
05	MSQ05096	75	0,94	500	6,28
06	MSQ06096	75	1,13	500	7,53
07	MSQ07096	50	0,88	250	4,39
08	MSQ08096	50	1,00	250	5,02
09	MSQ09096	50	1,13	250	5,65
10	MSQ10096	25	0,63	250	6,28
11	MSQ11096	25	0,69	250	6,90
12	MSQ12096	25	0,75	250	7,53
13	MSQ13096	25	0,82	250	8,16



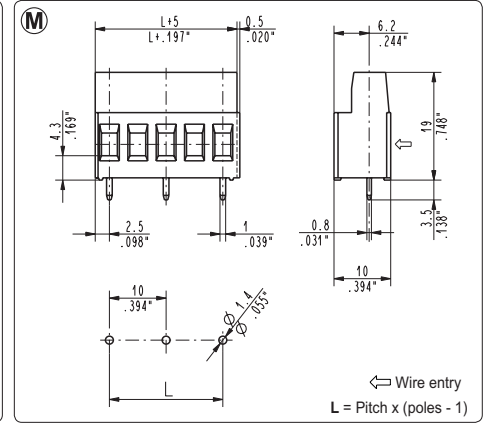
MSQ_001-000T Straight, Modular-Side Entry

5 mm / .197" Pitch		Weight per pole: 2.03 g			
Poles	STD Code	Pcs/pack.	W [kg]*	Pcs/Ind.**	W [kg]*
02	MSQ02001-000T	350	1,42	2000	8,12
03	MSQ03001-000T	225	1,37	1250	7,61
04	MSQ04001-000T	175	1,42	1000	8,12
05	MSQ05001-000T	125	1,27	750	7,61
06	MSQ06001-000T	125	1,52	750	9,14
07	MSQ07001-000T	100	1,42	500	7,11
08	MSQ08001-000T	75	1,22	500	8,12
09	MSQ09001-000T	75	1,37	500	9,14
10	MSQ10001-000T	75	1,52	500	10,15
11	MSQ11001-000T	75	1,67	250	5,58
12	MSQ12001-000T	50	1,22	250	6,09
13	MSQ13001-000T	50	1,32	250	6,60
14	MSQ14001-000T	50	1,42	250	7,11
15	MSQ15001-000T	50	1,52	250	7,61
16	MSQ16001-000T	50	1,62	250	8,12
17	MSQ17001-000T	50	1,73	200	6,90
18	MSQ18001-000T	50	1,83	200	7,31
19	MSQ19001-000T	25	0,96	200	7,71
20	MSQ20001-000T	25	1,02	200	8,12
21	MSQ21001-000T	25	1,07	200	8,53
22	MSQ22001-000T	25	1,12	200	8,93
23	MSQ23001-000T	25	1,17	200	9,34
24	MSQ24001-000T	25	1,22	150	7,31
25	MSQ25001-000T	25	1,27	150	7,61



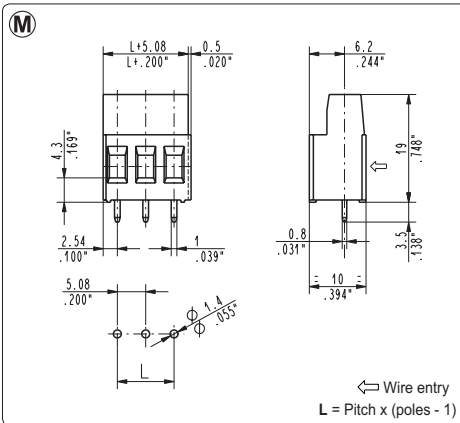
MSQ_003-000T Straight, Modular-Side Entry

7.5 mm / .295" Pitch		Weight per pole: 2.40 g			
Poles	STD Code	Pcs/pack.	W [kg]*	Pcs/Ind.**	W [kg]*
02	MSQ02003-000T	225	1,08	1250	6,00
03	MSQ03003-000T	150	1,08	750	5,40
04	MSQ04003-000T	100	0,96	500	4,80



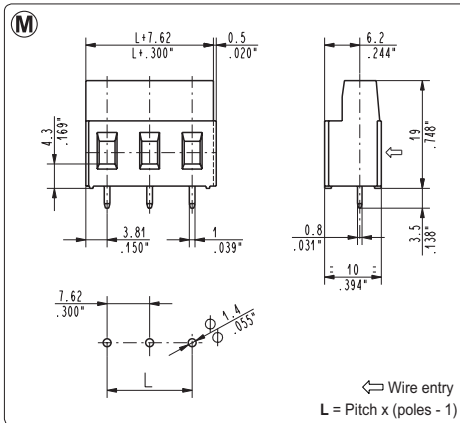
MSQ_002-000T Straight, Modular-Side Entry

10 mm / .394" Pitch		Weight per pole: 2.51 g			
Poles	STD Code	Pcs/pack.	W [kg]*	Pcs/Ind.**	W [kg]*
01	MSQ01002-000T	350	0,88	2000	5,02
02	MSQ02002-000T	225	1,13	1250	6,28
03	MSQ03002-000T	125	0,94	750	5,65
04	MSQ04002-000T	100	1,00	500	5,02
05	MSQ05002-000T	75	0,94	500	6,28
06	MSQ06002-000T	75	1,13	500	7,53
07	MSQ07002-000T	50	0,88	250	4,39
08	MSQ08002-000T	50	1,00	250	5,02
09	MSQ09002-000T	50	1,13	250	5,65
10	MSQ10002-000T	25	0,63	250	6,28
11	MSQ11002-000T	25	0,69	250	6,90
12	MSQ12002-000T	25	0,75	250	7,53
13	MSQ13002-000T	25	0,82	250	8,16



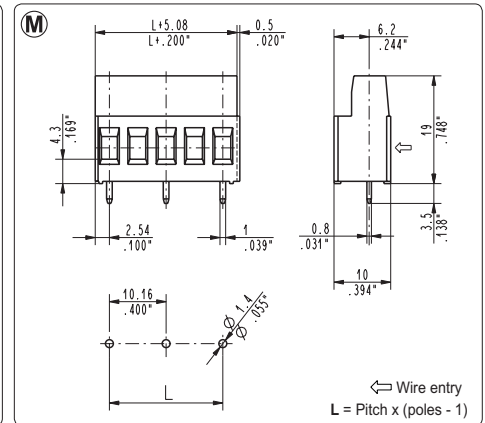
MSQ_005-000T Straight, Modular-Side Entry

5.08 mm / .200" Pitch		Weight per pole: 2.03 g			
Poles	STD Code	Pcs/pack.	W [kg]*	Pcs/Ind.**	W [kg]*
02	MSQ02005-000T	350	1,42	2000	8,12
03	MSQ03005-000T	225	1,37	1250	7,61
04	MSQ04005-000T	175	1,42	1000	8,12
05	MSQ05005-000T	125	1,27	750	7,61
06	MSQ06005-000T	125	1,52	750	9,14
07	MSQ07005-000T	100	1,42	500	7,11
08	MSQ08005-000T	75	1,22	500	8,12
09	MSQ09005-000T	75	1,37	500	9,14
10	MSQ10005-000T	75	1,52	500	10,15
11	MSQ11005-000T	75	1,67	250	5,58
12	MSQ12005-000T	50	1,22	250	6,09
13	MSQ13005-000T	50	1,32	250	6,60
14	MSQ14005-000T	50	1,42	250	7,11
15	MSQ15005-000T	50	1,52	250	7,61
16	MSQ16005-000T	50	1,62	250	8,12
17	MSQ17005-000T	50	1,73	200	6,90
18	MSQ18005-000T	50	1,83	200	7,31
19	MSQ19005-000T	25	0,96	200	7,71
20	MSQ20005-000T	25	1,02	200	8,12
21	MSQ21005-000T	25	1,07	200	8,53
22	MSQ22005-000T	25	1,12	200	8,93
23	MSQ23005-000T	25	1,17	200	9,34
24	MSQ24005-000T	25	1,22	150	7,31
25	MSQ25005-000T	25	1,27	150	7,61



MSQ_007-000T Straight, Modular-Side Entry

7.62 mm / .300" Pitch		Weight per pole: 2.40 g			
Poles	STD Code	Pcs/pack.	W [kg]*	Pcs/Ind.**	W [kg]*
02	MSQ02007-000T	225	1,08	1250	6,00
03	MSQ03007-000T	150	1,08	750	5,40

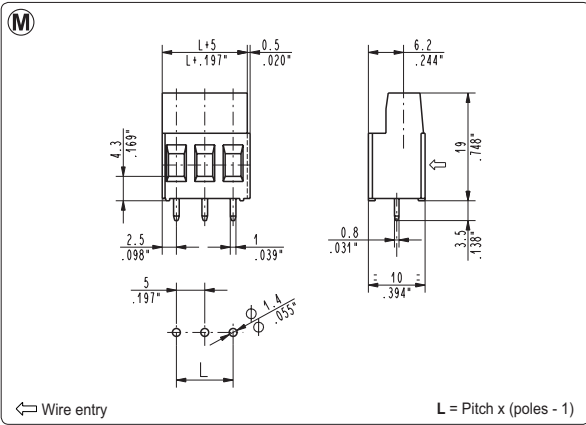


MSQ_006-000T Straight, Modular-Side Entry

10.16 mm / .400" Pitch		Weight per pole: 2.51 g			
Poles	STD Code	Pcs/pack.	W [kg]*	Pcs/Ind.**	W [kg]*
01	MSQ01006-000T	350	0,88	2000	5,02
02	MSQ02006-000T	225	1,13	1250	6,28
03	MSQ03006-000T	125	0,94	750	5,65
04	MSQ04006-000T	100	1,00	500	5,02
05	MSQ05006-000T	75	0,94	500	6,28
06	MSQ06006-000T	75	1,13	500	7,53
07	MSQ07006-000T	50	0,88	250	4,39
08	MSQ08006-000T	50	1,00	250	5,02
09	MSQ09006-000T	50	1,13	250	5,65
10	MSQ10006-000T	25	0,63	250	6,28
11	MSQ11006-000T	25	0,69	250	6,90
12	MSQ12006-000T	25	0,75	250	7,53
13	MSQ13006-000T	25	0,82	250	8,16

*W [kg]: Approximate Weight per box in kg

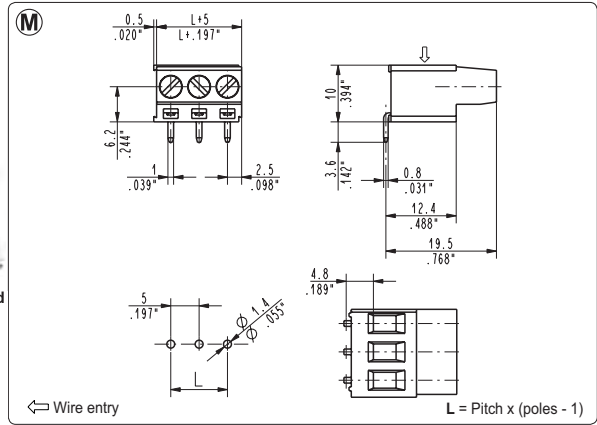
**Industrial packaging: add "-00000E" at standard code



Short Circuited

MSQ_001-000C Short Circuited Straight, Side Entry

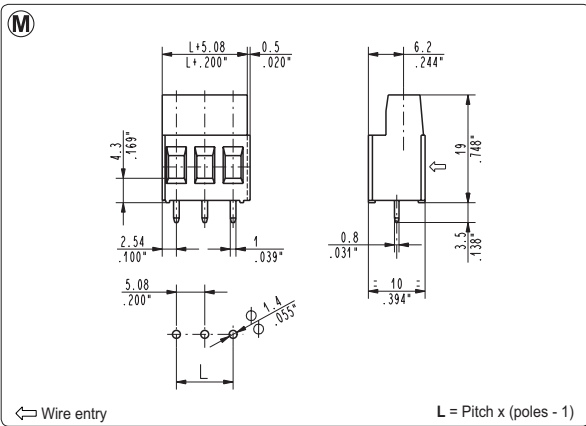
5 mm / .197" Pitch			Weight per pole: 2.04 g		
Poles	STD Code	Pcs/pack.	W [kg]*	Pcs/Ind.**	W [kg]*
02	MSQ02001-000C	350	1,43	2000	8,16
03	MSQ03001-000C	225	1,38	1250	7,65



Short Circuited

MSQ_091-000C Short Circuited 90°, Top Entry

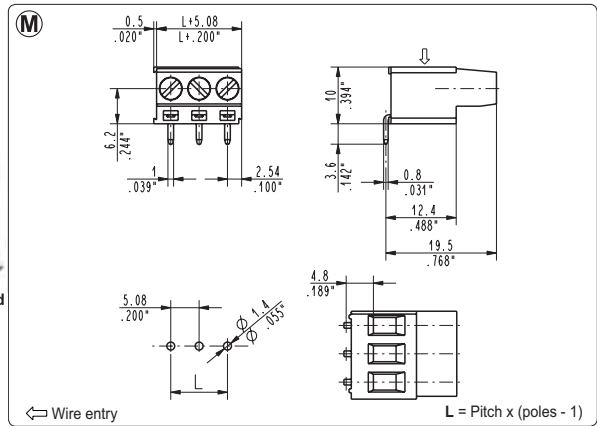
5 mm / .197" Pitch			Weight per pole: 2.04 g		
Poles	STD Code	Pcs/pack.	W [kg]*	Pcs/Ind.**	W [kg]*
02	MSQ02091-000C	350	1,43	2000	8,16
03	MSQ03091-000C	225	1,38	1250	7,65



Short Circuited

MSQ_005-000C Short Circuited Straight, Side Entry

5.08 mm / .200" Pitch			Weight per pole: 2.04 g		
Poles	STD Code	Pcs/pack.	W [kg]*	Pcs/Ind.**	W [kg]*
02	MSQ02005-000C	350	1,43	2000	8,16
03	MSQ03005-000C	225	1,38	1250	7,65



Short Circuited

MSQ_095-000C Short Circuited 90°, Top Entry

5.08 mm / .200" Pitch			Weight per pole: 2.04 g		
Poles	STD Code	Pcs/pack.	W [kg]*	Pcs/Ind.**	W [kg]*
02	MSQ02095-000C	350	1,43	2000	8,16
03	MSQ03095-000C	225	1,38	1250	7,65