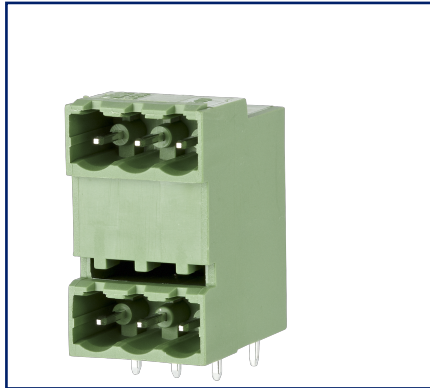
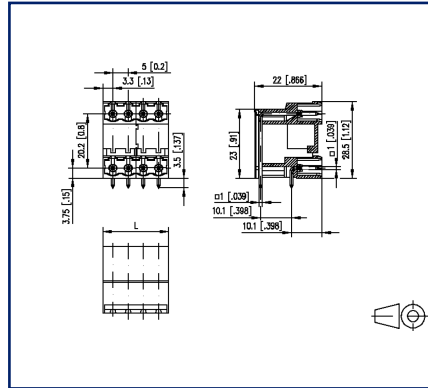


**Data sheet**  
**PT105xxHGDN Type 280**

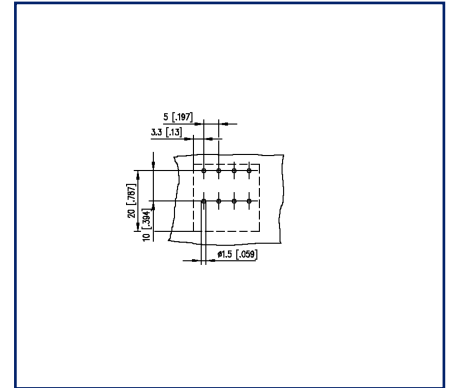
**Illustrations**



Dimensional drawing



Drill pattern



See enlarged drawings at the end of document

**Product specification**

- pin header, solderable
- centerline 5.00 mm, direction of connection 90°
- closed ends
- color green
- two rows, equal poles




## Technical Data

### General Data

Solder pin length	3.5 mm		
min. number of poles	4		
max. number of poles	48		
Insulating material class	CTI 600		
clearance/creepage dist.	4 mm		
Protection category	IP00		
Rated current	12 A		
Overvoltage category	III	III	II
Pollution degree	2	2	2
Rated voltage	320 V	800 V	800 V
Rated test voltage	4 kV	4 kV	4 kV

### Approvals

V / A			
approval UL - File No.	300 / 15 E121004		
 1.5 mm <sup>2</sup>	320 V / 4 kV / 13.5 A / 1.0 x 1.0 mm		

### Material

insulating material	PA66
flammability class	V0
contact pin material	CuSn
contact pin surface	Ni + Sn
Glow-Wire Flammability GWFI	960 °C acc. to IEC 60695-2-12
Glow-Wire Flammability GWIT	775 °C acc. to IEC 60695-2-13

### Climatic Data

upper limit temperature	105 °C
lower limit temperature	-40 °C

### general

Tolerance	ISO 2768 -mH
Solderability	Acc. to JEDEC JESD22-B102E 245°C/5s

# U | Contact

Data sheet  
**PT105xxHGDN Type 280**

Page 3/5

P/N  
**312801xx-6**  
xx=number of poles  
2024/05/23  
Version: V

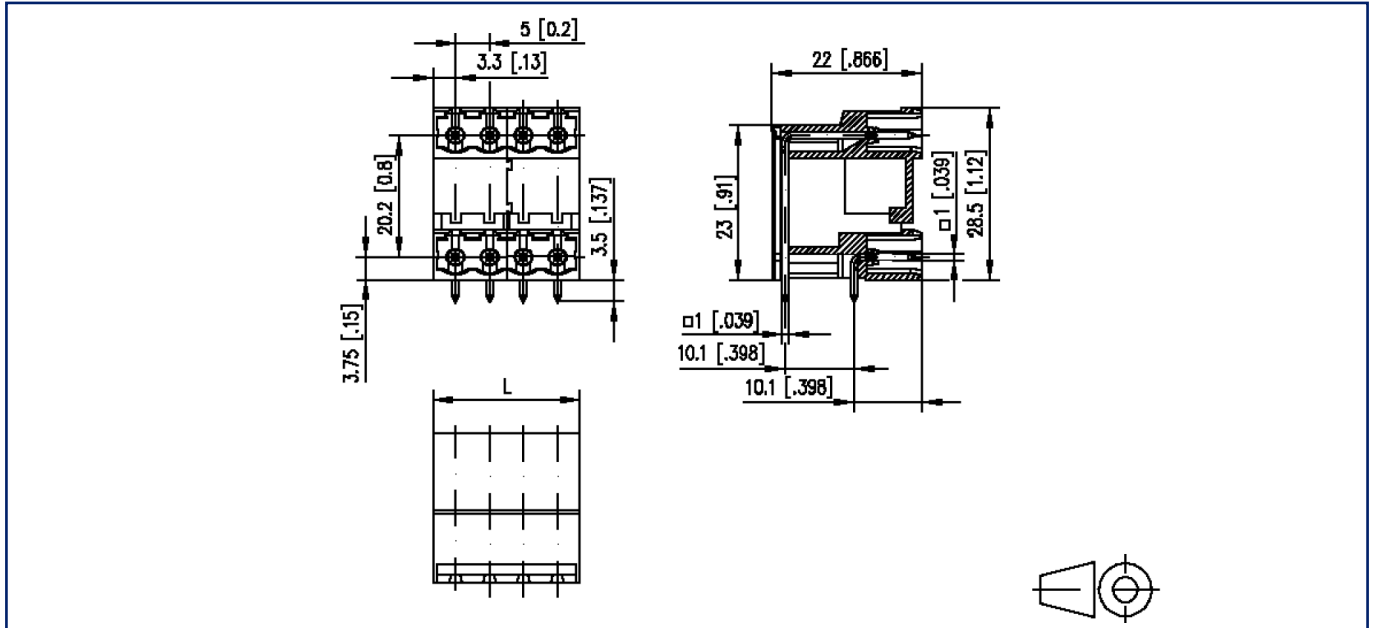
## Counterpart of

P/N	Designation
313141	RP035xxHBLD Type 314
31314103-08	RP035xxHBLD Typ 314
31314103-09	RP035xxHBLD Typ 314
313491	RP015xxVBLC Type 349
313501	RP015xxSBLC Type 350
SP065XXVBNC	SP065xxVBNC
SP065XXVBPC	SP065xxVBPC
SP995XXVBNC	SP995xxVBNC



## Illustrations

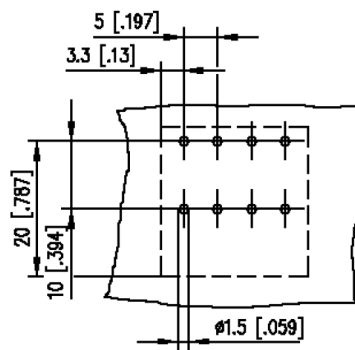
Dimensional drawing



$L = (\text{pole size} - 1) \times \text{centerline} + 6.6 \text{ mm } [0.26]$

**Illustrations**

Drill pattern



© 2024 METZ CONNECT - Technische Änderungen vorbehalten! Subject to modifications! Sous réserve de modifications techniques!

