

THIS DRAWING IS UNPUBLISHED.

RELEASED FOR PUBLICATION

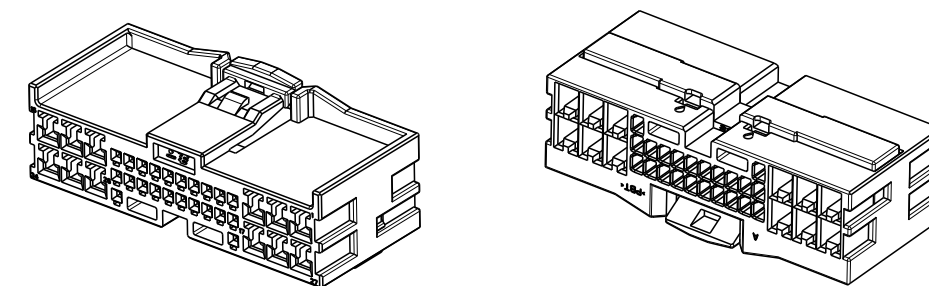
2016

© COPYRIGHT 2009 BY TE CONNECTIVITY

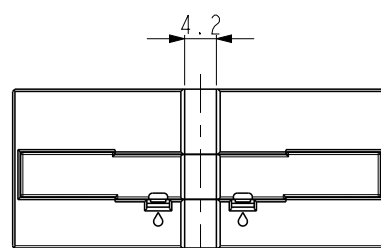
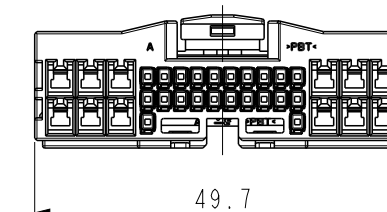
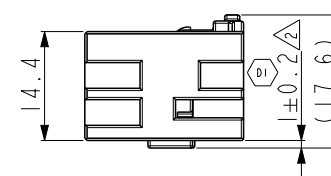
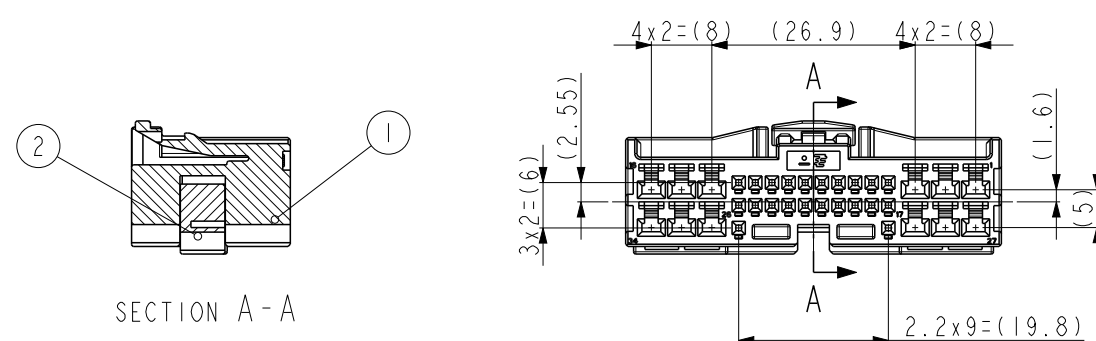
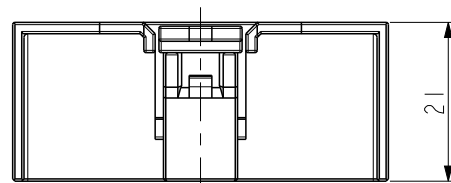
ALL RIGHTS RESERVED.

REVISIONS

P	LTR	DESCRIPTION	DATE	DWN	APVD
D1		REVISED (ECR-23-171026)	21MAR2023	CI	KT



ISOMETRIC VIEW



<TABLE 1>

TYPE	FINISH	P/N	WIRE RANGE (mm ²)
.025	PRE-TIN	2005097-1	0.22
	GOLD	2005427-1	0.37~0.56
.090	PRE-TIN	1897753-1	0.22~0.56
		1743654-1	0.3~0.5
		1743655-1	0.75~1.25
		1743656-1	1.5~2.0
	GOLD	1897598-1	2.5
	GOLD	1-368085-1	0.3~0.5

- NOTE
- GENERAL TOLERANCE: ±0.3, ±3°
 - CONDITION OF DELIVERY
DBL IN 1st LOCKING POSITION
 - APPLICABLE CAP ASS'Y P/N: x-2005434-x
 - APPLICABLE RECEPTACLE CONTACT P/N: <TABLE 1>

NO	FINISH/COLOR	MATERIAL	DESCRIPTION	Q'TY
2	WHITE	PBT	PLUG DBL HSG	1
1	RED	PBT	PLUG HSG	1
	BROWN	PBT	PLUG HSG	1
	WHITE	PBT	PLUG HSG	1

ASS'Y P/N	DESCRIPTION
2005431-6	HYB 34P PLUG ASS'Y
2005431-4	HYB 34P PLUG ASS'Y
2005431-1	HYB 34P PLUG ASS'Y

THIS DRAWING IS A CONTROLLED DOCUMENT.

DIMENSIONS: mm	TOLERANCES UNLESS OTHERWISE SPECIFIED:
	0 PLC ±
	1 PLC ±
	2 PLC ±
	3 PLC ±
	4 PLC ±
	ANGLES ±
MATERIAL	FINISH
SEE TABLE	-

DWN CH PARK
CHK JW JUNG
APVD HG CHO
PRODUCT SPEC
APPLICATION SPEC
WEIGHT
CUSTOMER DRAWING

TE TE Connectivity

NAME: 025/090 HYBRID 34P PLUG ASS'Y

SIZE	CAGE CODE	DRAWING NO	RESTRICTED TO
A3	00779	C-2005431	

SCALE: 1:1 SHEET 1 OF 1 REV: D1