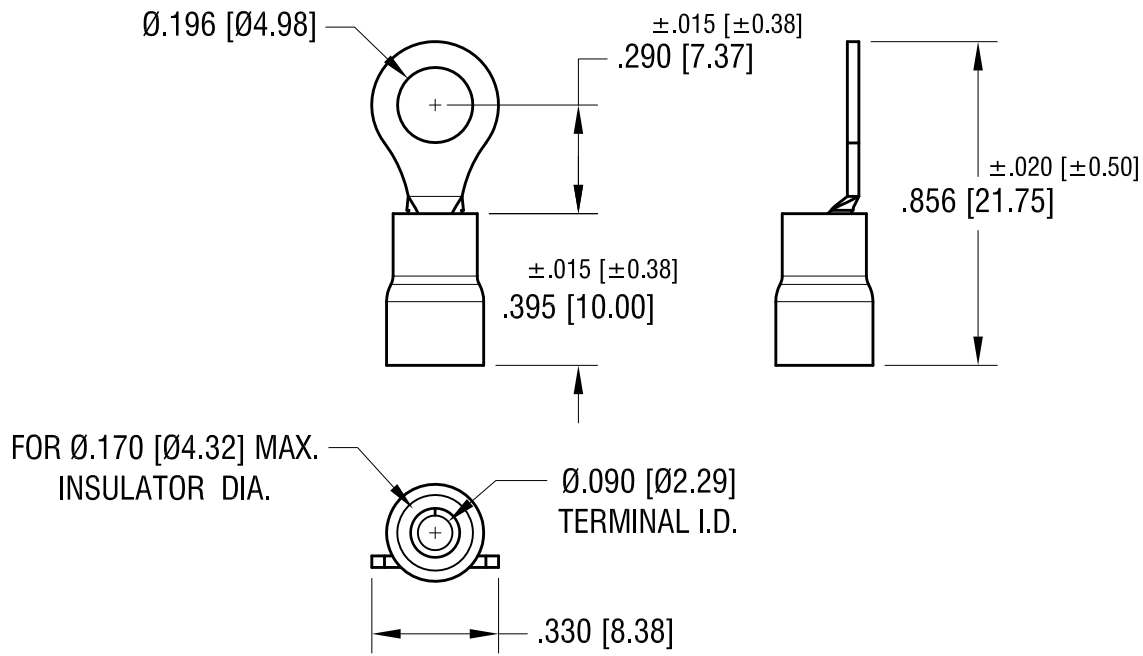


THIS DOCUMENT IS THE PROPERTY OF
KEYSTONE ELECTRONICS CORP. AND
SHALL NOT BE REPRODUCED, DISTRIBUTED
OR USED AS A BASIS FOR MANUFACTURE
WITHOUT PRIOR WRITTEN PERMISSION
FROM KEYSTONE ELECTRONICS CORP.

ACTUAL SIZE



NOTE:

1. TERMINAL: .030 [0.76] THK COPPER, TIN PLATE
INSULATOR: VINYL, BLUE
2. ACCOMMODATES WIRE RANGE 16/14 AWG

6.06.23	UPDATE PER NEW TOOLING CHANGE AS PER ECN 23-091	A
DATE	DESCRIPTION	REV.

KEYSTONE ELECTRONICS CORP.			
www.keyelco.com • NEW HYDE PARK NY 11040 • Tel (516)328-7500			
PART NAME INSULATED RING TONGUE TERMINAL			
MATERIAL AS NOTED			
FINISH AS NOTED		DRN BY BOONE	DATE 10.19.07
		APP'D RH	SCALE 2X
TOLERANCES	INCH [MM]	CODE	DWG NO.
DECIMAL	$\pm .010$ [± 0.25]	C	8214
ANGULAR	$\pm 1^\circ$		
UNLESS OTHERWISE SPECIFIED			