

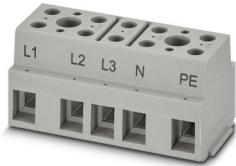
# G 10/ 5 BD:L1,L2,L3,N,PE - Device terminal block



3244711

<https://www.phoenixcontact.com/us/products/3244711>

Please be informed that the data shown in this PDF document is generated from our online catalog. Please find the complete data in the user documentation. Our general terms of use for downloads are valid.



Device terminal block, nom. voltage: 800 V, nominal current: 57 A, number of connections: 10, number of positions: 5, connection method: Screw connection, Rated cross section: 10 mm<sup>2</sup>, cross section: 0.5 mm<sup>2</sup> - 16 mm<sup>2</sup>, mounting type: direct screw connection, color: gray

## Your advantages

- Touch-proof shock protection

## Commercial data

Item number	3244711
Packing unit	10 pc
Minimum order quantity	10 pc
Note	Made to order (non-returnable)
Sales key	BE12
Product key	BE1265
GTIN	4046356641326
Weight per piece (including packing)	88.86 g
Weight per piece (excluding packing)	88.86 g
Customs tariff number	85369010
Country of origin	TR

# G 10/ 5 BD:L1,L2,L3,N,PE - Device terminal block



3244711

<https://www.phoenixcontact.com/us/products/3244711>

## Technical data

### Product properties

Product type	Feed-through terminal block
Number of positions	5
Number of connections	10
Number of rows	1
Potentials	5

### Insulation characteristics

Overvoltage category	III
Degree of pollution	3

### Electrical properties

Rated surge voltage	8 kV
Maximum power dissipation for nominal condition	1.82 W

### Connection data

Number of connections per level	10
Nominal cross section	10 mm <sup>2</sup>
Screw thread	M4
Tightening torque	1.5 ... 1.8 Nm
Stripping length	12 mm
Internal cylindrical gage	A3
Connection in acc. with standard	IEC 60947-7-1
Conductor cross section rigid	0.5 mm <sup>2</sup> ... 16 mm <sup>2</sup>
Cross section AWG	20 ... 6 (converted acc. to IEC)
Conductor cross section flexible	0.5 mm <sup>2</sup> ... 10 mm <sup>2</sup>
Conductor cross section, flexible [AWG]	20 ... 8 (converted acc. to IEC)
Conductor cross-section flexible (ferrule without plastic sleeve)	0.5 mm <sup>2</sup> ... 16 mm <sup>2</sup>
Flexible conductor cross section (ferrule with plastic sleeve)	0.5 mm <sup>2</sup> ... 16 mm <sup>2</sup>
Nominal current	57 A
Maximum load current	76 A (with 16 mm <sup>2</sup> conductor cross section)
Nominal voltage	800 V
Nominal cross section	10 mm <sup>2</sup>

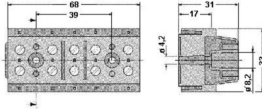
### Dimensions

# G 10/ 5 BD:L1,L2,L3,N,PE - Device terminal block



3244711

<https://www.phoenixcontact.com/us/products/3244711>

Dimensional drawing	
Width	68 mm
Height	31 mm

## Material specifications

Color	gray (RAL 7042)
Flammability rating according to UL 94	V2
Insulating material group	I
Insulating material	PA

## Mechanical properties

### Mechanical data

Open side panel	No
-----------------	----

## Environmental and real-life conditions

### Ambient conditions

Ambient temperature (storage/transport)	-25 °C ... 60 °C (for a short time, not exceeding 24 h, -60 °C to +70 °C)
Ambient temperature (assembly)	-5 °C ... 70 °C
Ambient temperature (actuation)	-5 °C ... 70 °C
Permissible humidity (storage/transport)	30 % ... 70 %

## Standards and regulations

Connection in acc. with standard	IEC 60947-7-1
----------------------------------	---------------

## Mounting

Mounting type	direct screw connection
Thread type	()

# G 10/ 5 BD:L1,L2,L3,N,PE - Device terminal block

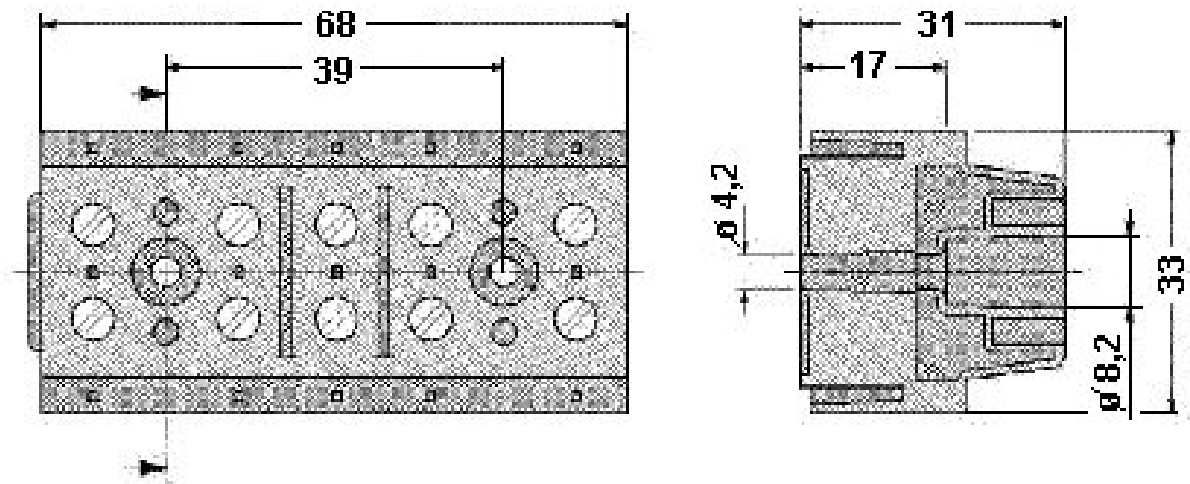


3244711

<https://www.phoenixcontact.com/us/products/3244711>

## Drawings

### Dimensional drawing



# G 10/ 5 BD:L1,L2,L3,N,PE - Device terminal block



3244711

<https://www.phoenixcontact.com/us/products/3244711>

## Classifications

### ECLASS

ECLASS-11.0	27141106
-------------	----------

### ETIM

ETIM 8.0	EC001284
----------	----------

### UNSPSC

UNSPSC 21.0	39121400
-------------	----------

# G 10/ 5 BD:L1,L2,L3,N,PE - Device terminal block



3244711

<https://www.phoenixcontact.com/us/products/3244711>

## Environmental product compliance

### EU RoHS

Fulfills EU RoHS substance requirements	Yes, No exemptions
---	--------------------

### China RoHS

Environment friendly use period (EFUP)	EFUP-E
	No hazardous substances above the limits

### EU REACH SVHC

REACH candidate substance (CAS No.)	No substance above 0.1 wt%
-------------------------------------	----------------------------

# G 10/ 5 BD:L1,L2,L3,N,PE - Device terminal block



3244711

<https://www.phoenixcontact.com/us/products/3244711>

## Accessories

### BN WH - Marker for terminal blocks

1401404

<https://www.phoenixcontact.com/us/products/1401404>



Marker for terminal blocks, Stud, white, unlabeled, can be labeled with: Marker pen, mounting type: plug in, for terminal block width: 4.2 mm, lettering field size: 4 x 4 mm

---

### SZS 1,0X4,0 VDE - Screwdriver

1205066

<https://www.phoenixcontact.com/us/products/1205066>



Screwdriver, slot-headed, VDE insulated, size: 1.0 x 4.0 x 100 mm, 2-component grip, with non-slip grip

---

Phoenix Contact 2024 © - all rights reserved

<https://www.phoenixcontact.com>

Phoenix Contact USA  
586 Fulling Mill Road  
Middletown, PA 17057, United States  
(+717) 944-1300  
[info@phoenixcon.com](mailto:info@phoenixcon.com)