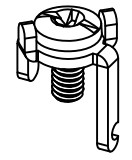
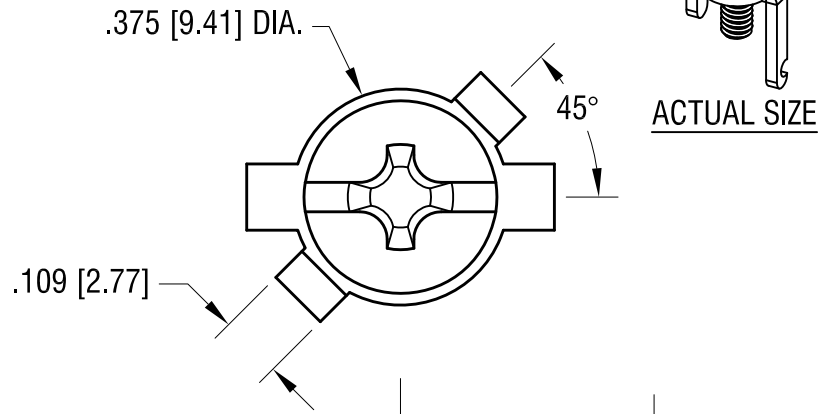
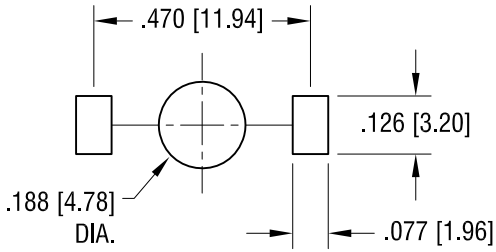
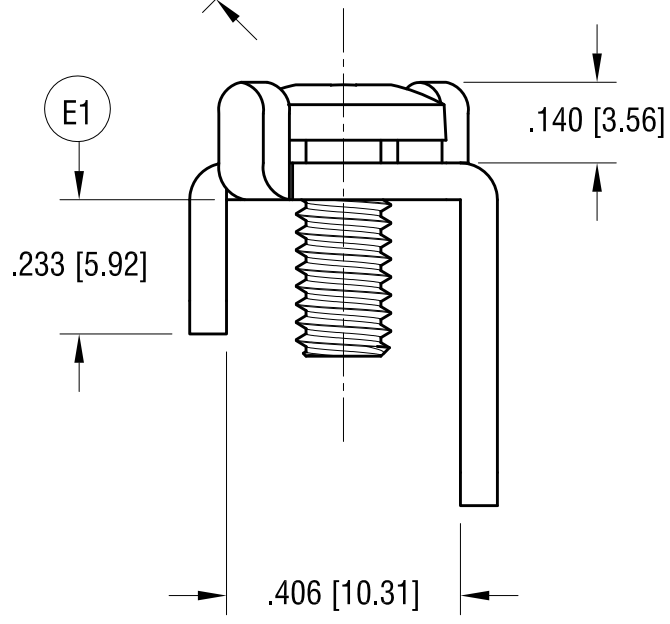
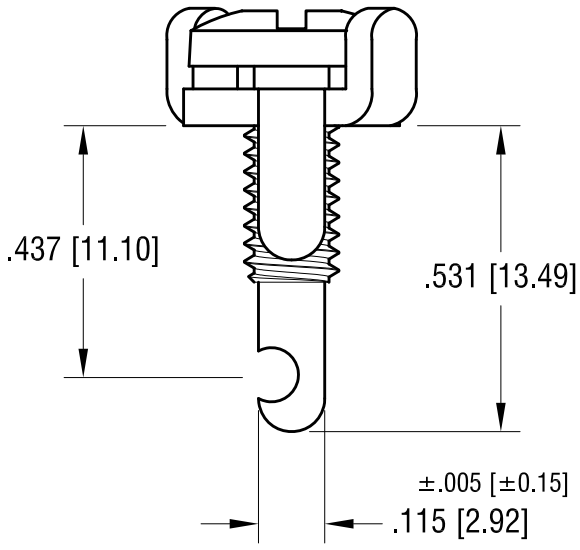


THIS DOCUMENT IS THE PROPERTY OF
KEYSTONE ELECTRONICS CORP. AND
SHALL NOT BE REPRODUCED, DISTRIBUTED
OR USED AS A BASIS FOR MANUFACTURE
WITHOUT PRIOR WRITTEN PERMISSION
FROM KEYSTONE ELECTRONICS CORP.

MOUNTING DETAIL



ACTUAL SIZE



NOTE:

1. TERMINAL:
MAT'L - .064 [1.63] TH'K BRASS, MATTE TIN PLATE
2. SCREW : ONE (1) 8-32 x 3/8 L., CAPTIVATED
MAT'L - BRASS, NICKEL PLATE

4.12.23	(E1) WAS .297±.010 CHANGE AS PER ECN 23-053	E
5.12.05	CHANGE AS PER ECN 05-25	D
DATE	DESCRIPTION	REV.

KEYSTONE ELECTRONICS CORP.			
www.keyelco.com • ASTORIA, N.Y. 11105-2017 • Tel (718) 956-8900			
PART NAME		SCREW TERMINAL	
MATERIAL		AS NOTED	
FINISH		DRN BY	DATE
AS NOTED		BOONE	4.13.82
		APP'D	SCALE
		RH	3X
TOLERANCES	INCH [MM]	CODE	DWG NO.
DECIMAL	±.010 [±0.25]	C	1209
ANGULAR	± 2°		
UNLESS OTHERWISE SPECIFIED			