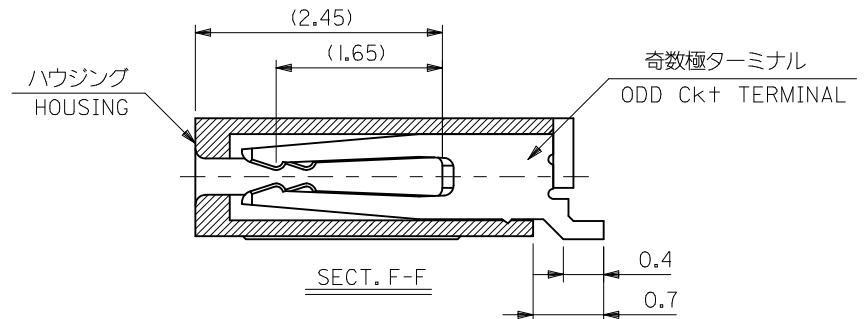
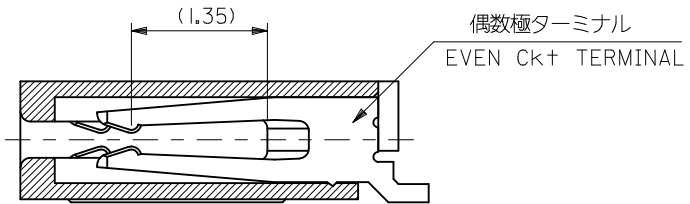


ISO VIEW (参考)



SECT. F-F



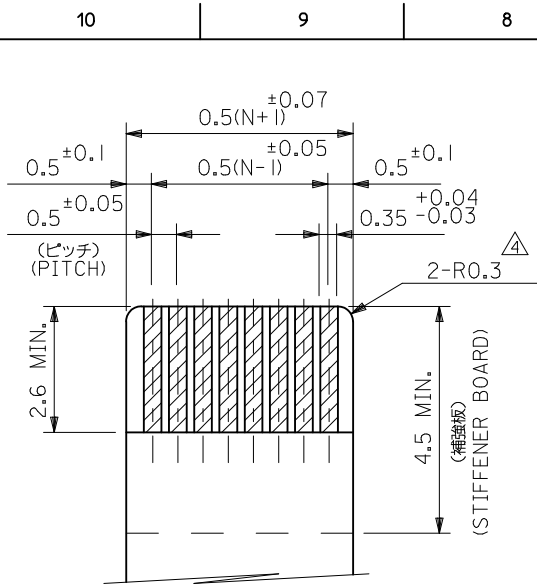
SECT. G-G

|      |      |      |            |    |
|------|------|------|------------|----|
| 13.5 | 12.5 | 15.1 | 51281-2694 | 26 |
| 12.5 | 11.5 | 14.1 | 51281-2494 | 24 |
| 11.5 | 10.5 | 13.1 | 51281-2294 | 22 |
| 10.5 | 9.5  | 12.1 | 51281-2094 | 20 |
| 9.5  | 8.5  | 11.1 | 51281-1894 | 18 |
| 8.5  | 7.5  | 10.1 | 51281-1694 | 16 |
| 7.5  | 6.5  | 9.1  | 51281-1494 | 14 |
| 6.5  | 5.5  | 8.1  | 51281-1294 | 12 |
| 6.0  | 5.0  | 7.6  | 51281-1194 | 11 |
| 5.5  | 4.5  | 7.1  | 51281-1094 | 10 |
| 5.0  | 4.0  | 6.6  | 51281-0994 | 9  |
| 4.5  | 3.5  | 6.1  | 51281-0894 | 8  |
| 4.0  | 3.0  | 5.6  | 51281-0794 | 7  |
| 3.5  | 2.5  | 5.1  | 51281-0694 | 6  |
| 3.0  | 2.0  | 4.6  | 51281-0594 | 5  |

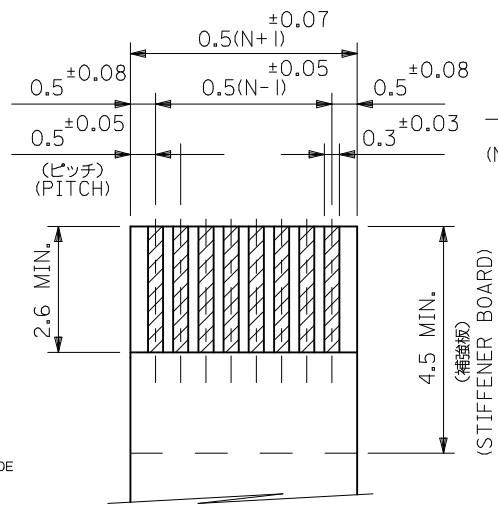
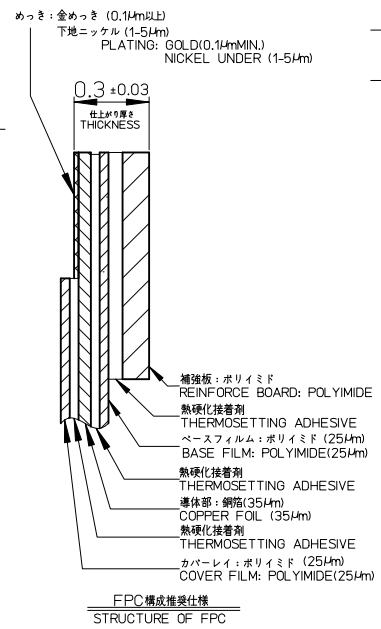
|   |   |   |                  |         |
|---|---|---|------------------|---------|
| C | B | A | EMBOSSED TAPE    | CIRCUIT |
|   |   |   | ORDER No. オーダー番号 |         |

CONNECTOR SERIES NO. : 51281-\*\*40

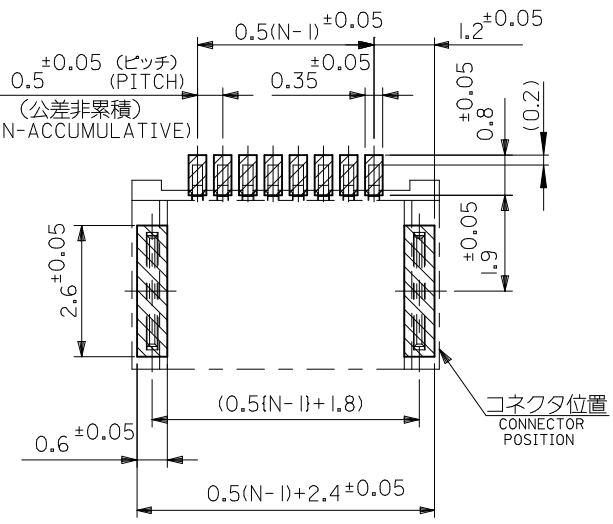
|  |  |              |                      |   |              |  |
|--|--|--------------|----------------------|---|--------------|--|
| REVISED<br>EC NO: J2011-0538<br>DRWN: TONO 2010/10/12<br>CHKD: HIJIMA 2010/10/12<br>APPR: KMORIKAWA 2010/10/13 | GENERAL TOLERANCES (UNLESS SPECIFIED)                |              | DIMENSION STYLE      | SCALE   | DESIGN UNITS | TITLE<br>0.5 FPC CONN NON-ZIF<br>HSG ASSY (HGT=1.2MM)<br><br>MOLEX INCORPORATED<br>DOCUMENT NO. SD-51281-011<br>SHEET NO. 1 OF 2 |
|  | 10 UNDER ±0.2  |              | MM ONLY              | ---   | METRIC       |  |
|  | 10 OVER 30 UNDER ±0.25                               |              | DRAWN BY DATE        | THIRD ANGLE PROJECTION  |              |  |
|  | 30 OVER ±0.3   |              | KENSUZUKI 2004/10/19 |   |              |  |
| J<br>REV   | ANGULAR ±3 °   |              | CHECKED BY DATE      |   |              |  |
|  | DRAFT WHERE APPLICABLE MUST REMAIN WITHIN DIMENSIONS |              | NUKITA 2004/10/19    |   |              |  |
|  |  |              | APPROVED BY DATE     |   |              |  |
|  |  | MATERIAL NO. |                      |   |              |  |
|  |  | SEE TABLE    |                      |   |              |  |
|  |  | SIZE A3      |                      | THIS DRAWING CONTAINS INFORMATION THAT IS PROPRIETARY TO MOLEX INCORPORATED AND SHOULD NOT BE USED WITHOUT WRITTEN PERMISSION |              |  |



適合FPC推奨寸法  
APPLICABLE FPC  
RECOMMENDED DIMENSION  
(仕上がり厚さ: 0.3 ±0.03)  
(THICKNESS: 0.3 ±0.03)



適合FFC推奨寸法  
APPLICABLE FFC  
RECOMMENDED DIMENSION  
(仕上がり厚さ: 0.3 ±0.03)  
(THICKNESS: 0.3 ±0.03)



参考基板レイアウト図  
RECOMMENDED P.C. BOARD LAYOUT  
(マウント面)  
(MOUNTING SIDE)

注記 NOTES

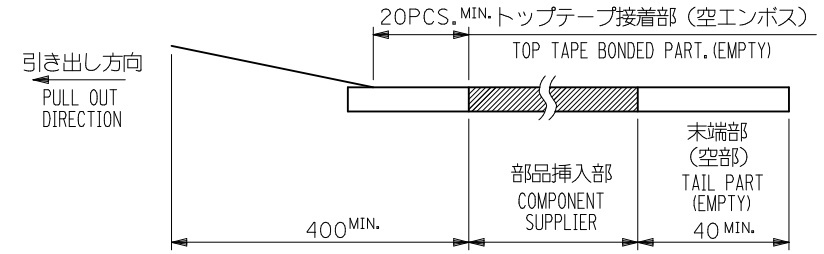
- 使用材料 MATERIAL  
ハウジング : 液晶ポリマー ガラス充填 UL94V-0  
HOUSING : LIQUID CRYSTAL POLYMER (GLASS FILLED) UL94V-0  
ターミナル : リン青銅 (t=0.2), ニッケル下地  
CONTACT部: 金メッキ  
テール部: 錫メッキ  
TERMINAL : PHOSPHOR-BRONZE, TAIL : TIN CONTACT : GOLD OVER NICKEL PLATING  
金具 : リン青銅 (t=0.25), ニッケル下地 純錫メッキ  
FITTING NAIL : PHOSPHOR-BRONZE, PURE-TIN OVER NICKEL PLATING.
- △ ソルダーテール半田付け面のズレ量、及び金具半田付け面のズレ量は、基準面 □ に対し、上方向 0.1 MAXIMUM 下方向 0.15 MAXIMUM とする。又、相互のバラツキ量は 0.1 MAXIMUM とする。  
MISALIGNMENT OF SOLDER TAILS AND FITTING NAILS FROM □ UPPER DIRECTION : 0.1 MAXIMUM, LOWER DIRECTION : 0.15 MAXIMUM. OFFSET BETWEEN SOLDER TAILS AND FITTING NAILS : 0.1 MAXIMUM.
- △ 偶数極に適用。  
TO BE APPLIED ONLY WHEN ALL CIRCUIT ARE EVEN.
- △ R0.3は、FPCの導体部にかからないこと。  
R0.3 MUST NOT BE OVLAPPED TO PATTERN OF FPC.
- FPC/FFCについて:  
打抜き方向は導体側から補強板側を推奨いたします。  
導体部については軟銅箔35μmまたは50μm  
メッキ厚 0.1μm 以上 金メッキ (電気メッキ)  
を推奨いたします。  
RECOMMENDED PUNCHER DIRECTION :  
FROM CONDUCTOR SIDE TO STIFFENER BOARD SIDE.  
RECOMMENDED CONDUCTOR SPEC :  
THICKNESS OF SOFT COPPER FOIL : 35 μm or 50 μm  
GOLD PLATING : 0.1 μm MIN. (ELECTRICAL PLATING)

6. 本製品は51281-\*\*-20の鉛フリー品である。  
THIS PRODUCT IS LEAD FREE OF 51281-\*\*-20.
7. ソルダーテールの平坦度は、0.1 MAXIMUMとする。  
SOLDER TAIL COPLANARITY IS 0.1 MAXIMUM.
8. ELV 及び RoHS 適合品。  
ELV AND RoHS COMPLIANT.

|   |             |                                       |                        |   |              |  |   |                           |  |
|---|-------------|---------------------------------------|------------------------|---|--------------|--|---|---------------------------|--|
| REVISED<br>EC NO: J2011-0538<br>DRWN: TONO<br>CHKD: HIJIMA<br>APPR: KMORIKAWA<br>2010/10/12<br>2010/10/12<br>2010/10/13 | DESCRIPTION | GENERAL TOLERANCES (UNLESS SPECIFIED) |                        | DIMENSION STYLE<br>MM ONLY  |              | SCALE<br>---   | DESIGN UNITS<br>METRIC  | THIRD ANGLE<br>PROJECTION |  |
|   |             | 10 UNDER ±0.2                         | 10 OVER 30 UNDER ±0.25 | 30 OVER ±0.3  | ANGULAR ±3 ° | DRAFT WHERE APPLICABLE MUST REMAIN WITHIN DIMENSIONS           | DRAWN BY DATE TITLE<br>KENSUZUKI 2004/10/19 0.5 FPC CONN NON-ZIF HSG ASSY (HGT=1.2MM) |                           |  |
|   |             | CHECKED BY DATE<br>NUKITA 2004/10/19  |                        | APPROVED BY DATE<br>KMORIKAWA 2010/10/13  |              | MATERIAL NO. SHEET NO.<br>SEE SHEET 1 OF 2 SD-51281-011 2 OF 2 |   | moLEX MOLEX INCORPORATED  |  |
|   |             | SIZE<br>A3                            |                        | THIS DRAWING CONTAINS INFORMATION THAT IS PROPRIETARY TO MOLEX INCORPORATED AND SHOULD NOT BE USED WITHOUT WRITTEN PERMISSION |              |  |   |                           |  |

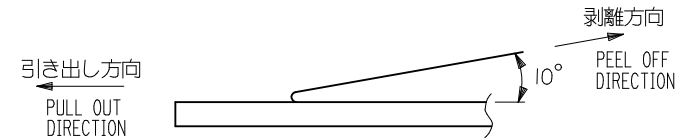
NOTES

- 製品詳細寸法については図面 SD-51281-011 を参照下さい。  
RE DETAILED DIMENSION, SEE SD-51281-011
- 梱包数量：3000個/リール  
NUMBER OF CONNECTORS : 3000PCS/REEL
- リードテープ長さ LEAD TAPE LENGTH



- トップテープの剥離強度：0.1N~1.3N {10gf~130gf}  
(剥離方向は下図参照)

尚、本規格値は出荷時に適用。(但し、輸送時に剥離が発生しないこと。)  
PEELING OFF FORCE OF TOP TAPE : 0.1N~1.3N {10gf~130gf}  
(PEELING DIRECTION AS SHOWN IN FOLLOWING FIG.)  
THIS REQUIREMENT SHOULD BE APPLIED AT SHIPMENT.  
PEEL OFF SHOULD NOT BE ALLOWED , DURING TRANSPORTATION.



- 材料 (MATERIAL)  
キャリアテープ (CARRIER TAPE) : ポリプロピレン (POLYPROPYLENE)  
トップテープ (TOP TAPE) : PET , PE , PEF  
リール (REEL) : ポリスチレン (PS) <リサイクル材含む>  
POLYSTYREN (PS) <RECYCLE MATERIAL CONTAINED>
- C, D 寸法は SHEET 2 ~ 3 を参照下さい。  
SEE SHEET 2 ~ 3 (DIMENSION C, D).
- ELV 及び RoHS 適合品。  
ELV AND RoHS COMPLIANT.

10 9 8 7 6 5 4 3 2 1

F

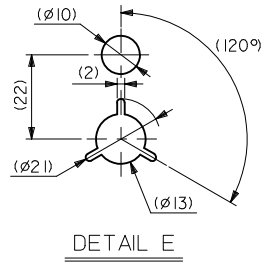
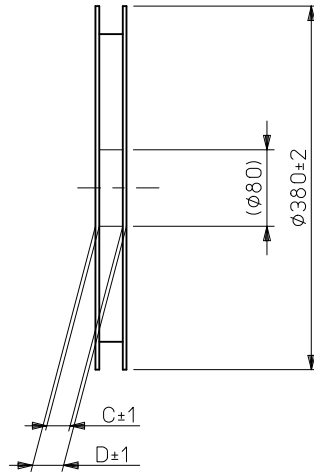
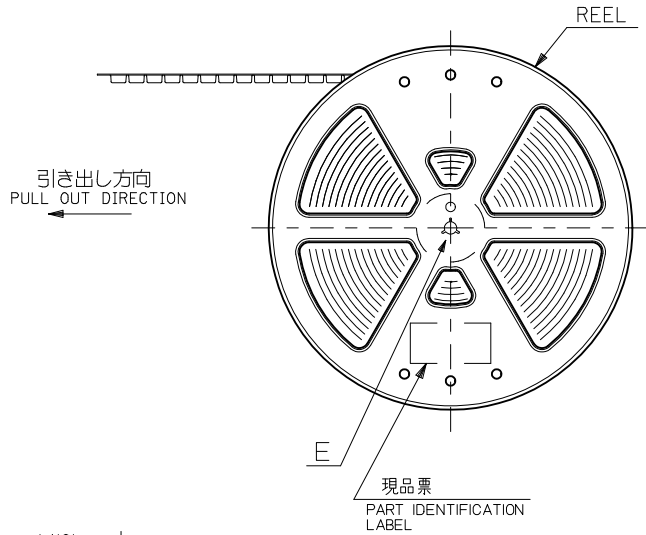
E  
引き出し方向  
PULL OUT DIRECTION

D

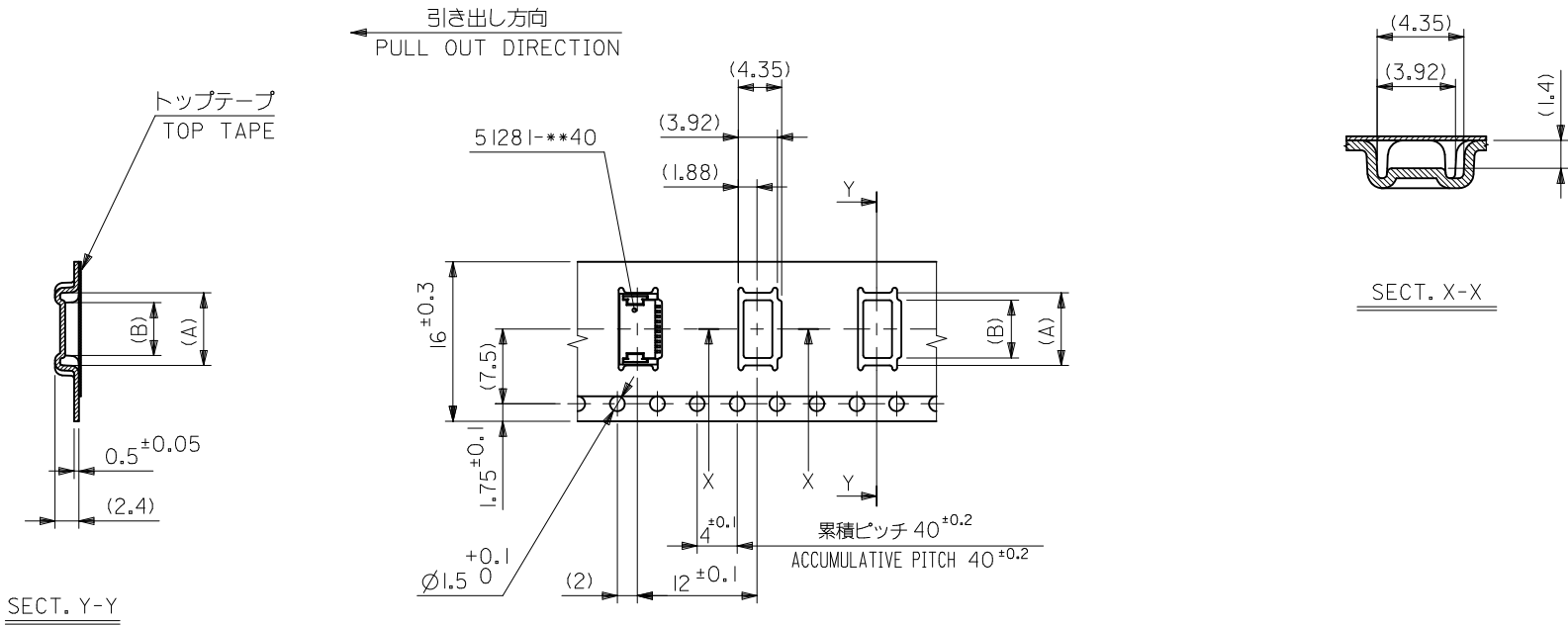
C

B

A



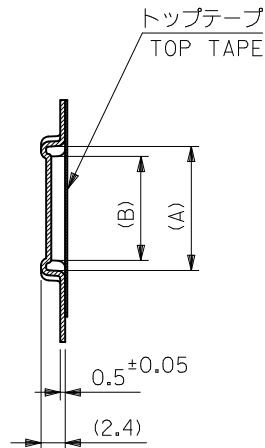
|  |                                       |   |                            |                    |  |                              |                        |  |
|--|---------------------------------------|---|----------------------------|--------------------|--|------------------------------|------------------------|--|
| REVISED<br>EC NO: J2010-2187<br>DRWN: TONO 2010/04/30<br>CHKD: HIJIMA 2010/09/15<br>APPR: KMORIKAWA 2010/10/04 | GENERAL TOLERANCES (UNLESS SPECIFIED) |   | DIMENSION STYLE<br>MM ONLY |                    | SCALE<br>---   | DESIGN UNITS<br>METRIC       | THIRD ANGLE PROJECTION |  |
|  | 10 UNDER                              | ±0.2  | DRAWN BY<br>KENSUZUKI      | DATE<br>2004/10/19 | TITLE<br>0.5 FPC CONN NON-ZIF (HGT=1.2MM) EMBSTP PKG |                              |                        |  |
|  | 10 OVER 30 UNDER                      | ±0.25   | CHECKED BY<br>NUKITA       | DATE<br>2004/10/19 | MOLEX INCORPORATED                                   |                              |                        |  |
|  | 30 OVER                               | ±0.3  | APPROVED BY<br>NUKITA      | DATE<br>2004/10/19 | MATERIAL NO.<br>SEE SHEET 2~4                        | DOCUMENT NO.<br>SD-51281-012 | SHEET NO.<br>1 OF 4    |  |
| C  | ANGULAR ±3 °                          | DRAFT WHERE APPLICABLE MUST REMAIN WITHIN DIMENSIONS  |                            |                    |  |                              |                        |  |
| SIZE<br>A3   |                                       | THIS DRAWING CONTAINS INFORMATION THAT IS PROPRIETARY TO MOLEX INCORPORATED AND SHOULD NOT BE USED WITHOUT WRITTEN PERMISSION |                            |                    |  |                              |                        |  |



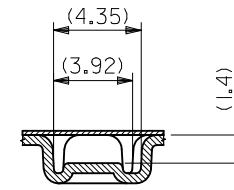
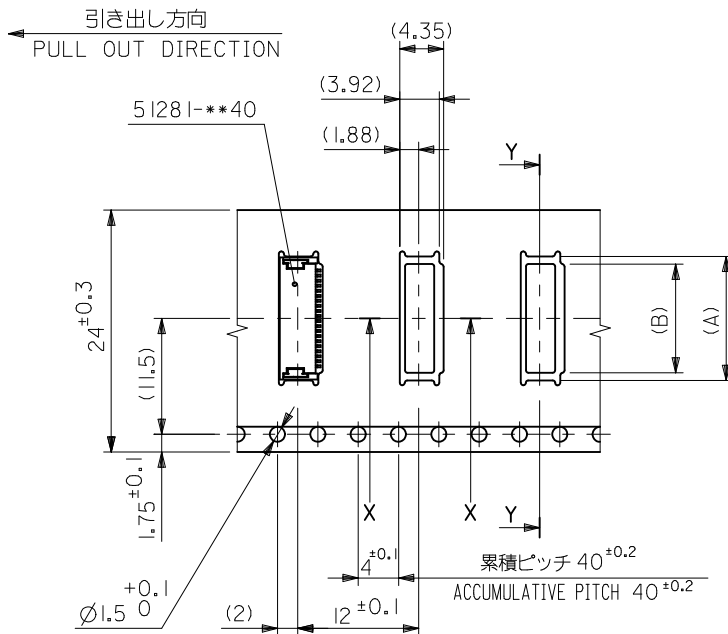
16mm幅キャリアテープ  
16mm WIDTH CARRIER TAPE

|                                |      |      |                      |     |               |     |
|--------------------------------|------|------|----------------------|-----|---------------|-----|
| 16                             | 21.4 | 17.4 | 4.3                  | 6.3 | 51281-0894    | 8   |
|                                |      |      | 3.8                  | 5.8 | 51281-0794    | 7   |
|                                |      |      | 3.3                  | 5.3 | 51281-0694    | 6   |
|                                |      |      | 2.8                  | 4.8 | 51281-0594    | 5   |
| キャリアテープ幅<br>CARRIER TAPE WIDTH |      |      | D                    | C   | (B)           | (A) |
|                                |      |      | 製品番号<br>MATERIAL No. |     | 極数<br>CIRCUIT |     |

|  |                    |  |       |  |                    |   |                              |                           |  |  |
|--|--------------------|--|-------|--|--------------------|---|------------------------------|---------------------------|--|--|
| REVISED<br>EC NO.: J2010-2187<br>DRWN: TONO<br>CHKD: HIJIMA<br>APPR: KMORIKAWA | DESCRIPTION<br>REV | GENERAL TOLERANCES<br>(UNLESS SPECIFIED)                                   |       | DIMENSION STYLE<br>MM ONLY   |                    | SCALE<br>---  | DESIGN UNITS<br>METRIC       | THIRD ANGLE<br>PROJECTION |  |  |
|  |                    | 10 UNDER   | ±0.2  | DRAWN BY<br>KENSUZUK   | DATE<br>2004/10/19 | TITLE<br>0.5 FPC CONN NON-ZIF<br>(HGT=1.2MM) EMBSTP PKG |                              |                           |  |  |
|  |                    | 10 OVER 30 UNDER   | ±0.25 | CHECKED BY<br>NUKITA   | DATE<br>2004/10/19 | MOLEX INCORPORATED                                      |                              |                           |  |  |
|  |                    | 30 OVER  | ±0.3  | APPROVED BY<br>NUKITA  | DATE<br>2004/10/19 | MATERIAL NO.<br>SEE TABLE                               | DOCUMENT NO.<br>SD-51281-012 | SHEET NO.<br>2 OF 4       |  |  |
|  |                    | ANGULAR ±3 °<br>DRAFT WHERE APPLICABLE<br>MUST REMAIN<br>WITHIN DIMENSIONS |       | THIS DRAWING CONTAINS INFORMATION THAT IS PROPRIETARY TO MOLEX<br>INCORPORATED AND SHOULD NOT BE USED WITHOUT WRITTEN PERMISSION |                    |   |                              |                           |  |  |



SECT. Y-Y

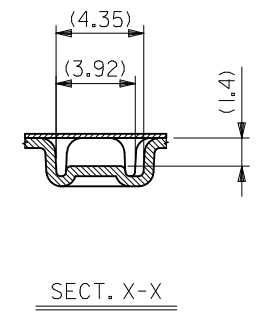
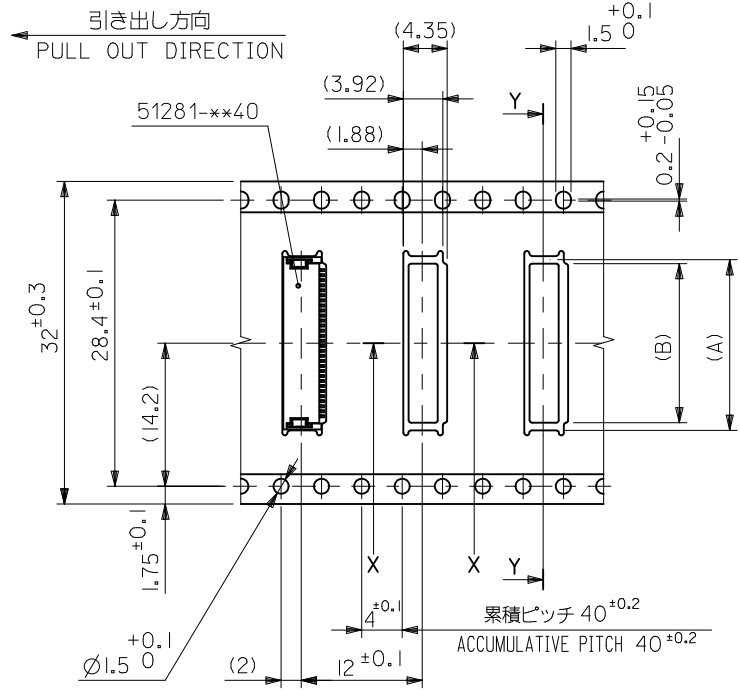
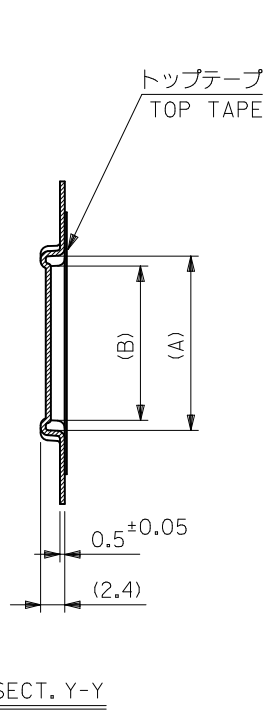


SECT. X-X

24mm幅キャリアテープ  
24mm WIDTH CARRIER TAPE

|                                |      |            |      |      |            |     |                      |               |
|--------------------------------|------|------------|------|------|------------|-----|----------------------|---------------|
| 24                             | 29.4 | 25.4       | 12.3 | 14.3 | 51281-2494 | 24  |                      |               |
|                                |      |            | 11.3 | 13.3 | 51281-2294 | 22  |                      |               |
|                                |      |            | 10.3 | 12.3 | 51281-2094 | 20  |                      |               |
|                                |      |            | 9.3  | 11.3 | 51281-1894 | 18  |                      |               |
|                                |      |            | 8.3  | 10.3 | 51281-1694 | 16  |                      |               |
|                                |      |            | 7.3  | 9.3  | 51281-1494 | 14  |                      |               |
|                                |      |            | 6.3  | 8.3  | 51281-1294 | 12  |                      |               |
|                                |      |            | 5.8  | 7.8  | 51281-1194 | 11  |                      |               |
|                                |      |            | 5.3  | 7.3  | 51281-1094 | 10  |                      |               |
| 4.8                            | 6.8  | 51281-0994 | 9    |      |            |     |                      |               |
| キャリアテープ幅<br>CARRIER TAPE WIDTH |      |            | D    | C    | (B)        | (A) | 製品番号<br>MATERIAL No. | 極数<br>CIRCUIT |

|   |   |  |       |                            |                    |   |                        |                              |  |                     |
|---|---|--|-------|----------------------------|--------------------|---|------------------------|------------------------------|--|---------------------|
| REVISED<br>EC NO.: J2010-2187<br>DRWN: TONO<br>CHKD: HIJIMA<br>APPR: KMORIKAWA<br>REV C | DESCRIPTION<br>2010/04/30<br>2010/09/15<br>2010/10/04 | GENERAL TOLERANCES<br>(UNLESS SPECIFIED)   |       | DIMENSION STYLE<br>MM ONLY |                    | SCALE<br>---  | DESIGN UNITS<br>METRIC | THIRD ANGLE<br>PROJECTION    |  |                     |
|   |   | 10 UNDER   | ±0.2  | DRAWN BY<br>KENSUZUKI      | DATE<br>2004/10/19 | TITLE<br>0.5 FPC CONN NON-ZIF<br>(HGT=1.2MM) EMBSTP PKG |                        |                              |  |                     |
|   |   | 10 OVER 30 UNDER   | ±0.25 | CHECKED BY<br>NUKITA       | DATE<br>2004/10/19 | APPROVED BY<br>NUKITA 2004/10/19                        |                        |                              |  |                     |
|   |   | 30 OVER  | ±0.3  | ANGULAR ±3 °               |                    | MATERIAL NO.<br>SEE TABLE                               |                        | DOCUMENT NO.<br>SD-51281-012 |  | SHEET NO.<br>3 OF 4 |
| DRAFT WHERE APPLICABLE<br>MUST REMAIN<br>WITHIN DIMENSIONS                              |   | THIS DRAWING CONTAINS INFORMATION THAT IS PROPRIETARY TO MOLEX<br>INCORPORATED AND SHOULD NOT BE USED WITHOUT WRITTEN PERMISSION |       |                            |                    |   |                        |                              |  |                     |



32mm幅キャリアテープ  
32mm WIDTH CARRIER TAPE

|                                |      |      |      |      |                      |               |
|--------------------------------|------|------|------|------|----------------------|---------------|
| 32                             | 37.4 | 33.4 | 13.3 | 15.3 | 51281-2694           | 26            |
| キャリアテープ幅<br>CARRIER TAPE WIDTH | D    | C    | (B)  | (A)  | 製品番号<br>MATERIAL No. | 極数<br>CIRCUIT |

|   |              |  |                            |  |   |                           |
|---|--------------|--|----------------------------|--|---|---------------------------|
| REVISED<br>EC NO.: J2010-2187<br>DRWN: TONO 2010/04/30<br>CHKD: HIJIMA 2010/09/15<br>APPR: KMORIKAWA 2010/10/04 | DESCRIPTION  | GENERAL TOLERANCES<br>(UNLESS SPECIFIED)                   | DIMENSION STYLE<br>MM ONLY | SCALE<br>---   | DESIGN UNITS<br>METRIC                                  | THIRD ANGLE<br>PROJECTION |
|   | REV          | 10 UNDER ±0.2  | DRAWN BY<br>KENSUZUKI      | DATE<br>2004/10/19   | TITLE<br>0.5 FPC CONN NON-ZIF<br>(HGT=1.2MM) EMBSTP PKG |                           |
|   |              | 10 OVER 30 UNDER ±0.25                                     | CHECKED BY<br>NUKITA       | DATE<br>2004/10/19   | APPROVED BY<br>NUKITA                                   |                           |
|   |              | 30 OVER ±0.3   | APPROVED BY<br>NUKITA      | DATE<br>2004/10/19   | MATERIAL NO.<br>SD-51281-012                            |                           |
|   | ANGULAR ±3 ° | DRAFT WHERE APPLICABLE<br>MUST REMAIN<br>WITHIN DIMENSIONS | SEE TABLE                  |  | DOCUMENT NO.  | SHEET NO.<br>4 OF 4       |
|   |              |  | SIZE<br>A3                 | THIS DRAWING CONTAINS INFORMATION THAT IS PROPRIETARY TO MOLEX<br>INCORPORATED AND SHOULD NOT BE USED WITHOUT WRITTEN PERMISSION |   |                           |