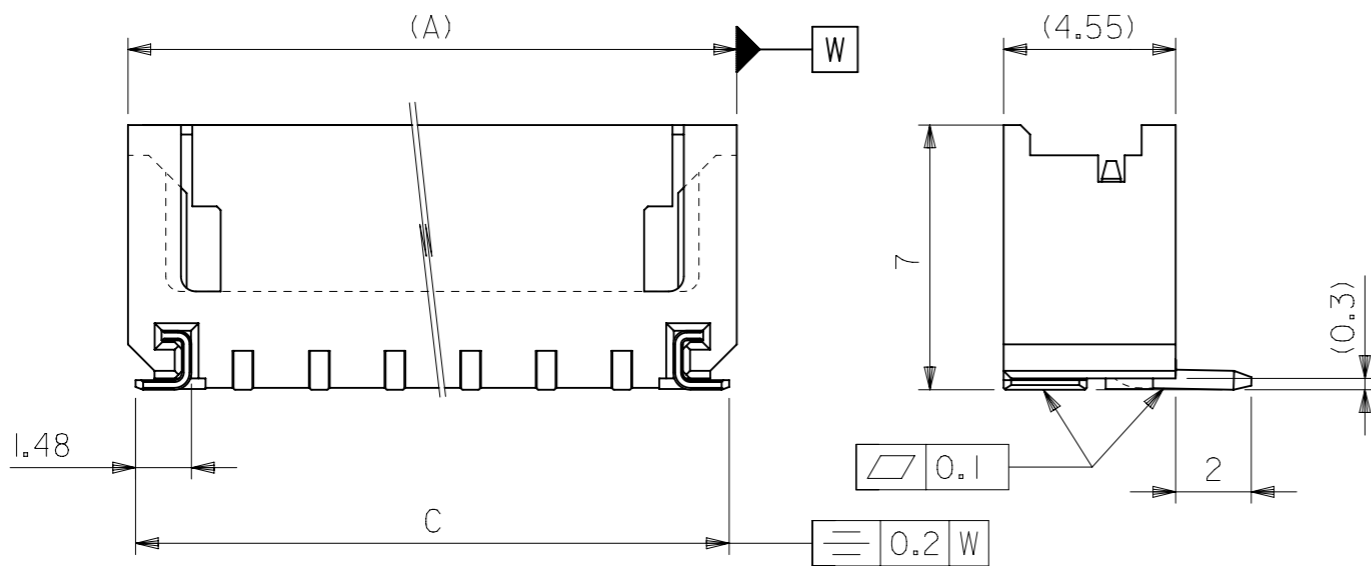


参考基板レイアウト
RECOMMENDED P.C.BOARD PATTERN DIM.(REF.)



注記
NOTES

1. 材質
MATERIAL
ウェハー : PA (UL94V-0)
WAFER : PA (UL94V-0)
ピン : 黄銅 (φ0.5), 銅下地錫メッキ
PIN : BRASS φ0.5, TIN OVER COPPER PLATING
金具 : リン青銅 (t=0.25), ニッケル下地錫メッキ
NAIL : PHOSPHOR BRONZE (t=0.25), TIN OVER NICKEL PLATING
2. 嵌合相手 : 51090, 52484 シリーズ
MATE WITH 51090, 52484 SERIES.
3. 本製品は 55460-**10 の鉛フリー品である。
THIS PRODUCT IS LEAD FREE OF 55460-**10.
4. ELV AND RoHS COMPLIANT.

28.1	29.7	24	30.1	55460-1372	13
26.1	27.7	22	28.1	▲ -1272	12
22.1	23.7	18	24.1	-1072	10
18.1	19.7	14	20.1	-0872	8
16.1	17.7	12	18.1	-0772	7
14.1	15.7	10	16.1	-0672	6
12.1	13.7	8	14.1	-0572	5
10.1	11.7	6	12.1	-0472	4
8.1	9.7	4	10.1	▼ -0372	3
6.1	7.7	2	8.1	55460-0272	2
D	C	B	A	EMBOSSED PACKAGE オーダー番号 ORDER No.	極数 CKTS.

CONNECTOR SERIES NO. 55460-**19

GENERAL TOLERANCES
(UNLESS SPECIFIED)

10 ^{UNDER}	±0.2
10 ^{OVER} 30 ^{UNDER}	±0.25
30 ^{OVER}	±0.3

THIS DRAWING CONTAINS INFORMATION THAT IS PROPRIETARY TO MOLEX ELECTRONIC TECHNOLOGIES, LLC AND SHOULD NOT BE USED WITHOUT WRITTEN PERMISSION

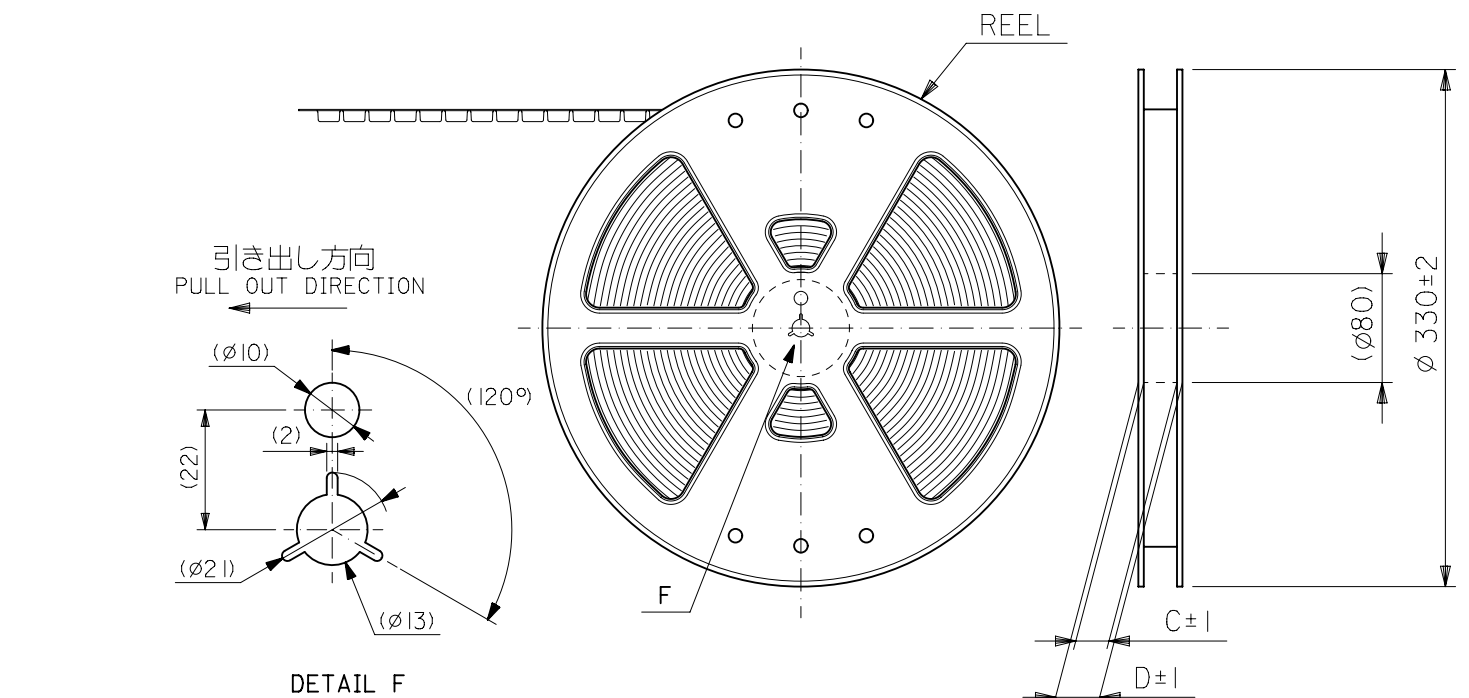
DIMENSION UNITS	SCALE	CURRENT REV DESC: OBSOLETE PART NO
mm	NTS	
GENERAL TOLERANCES (UNLESS SPECIFIED)		
4 PLACES	±	
3 PLACES	±	
2 PLACES	±	
1 PLACE	±	
0 PLACES	±	
ANGULAR TOL	± 3.0°	
DRAFT WHERE APPLICABLE MUST REMAIN WITHIN DIMENSIONS		
THIRD ANGLE PROJECTION		
DRAWING	SERIES	MATERIAL NUMBER
A3-SIZE	55460	SEE TABLE
CUSTOMER		
GENERAL MARKET		
SHEET NUMBER		
1 OF 1		

EC NO: 619468
DRWN: VLOKESHA 2019/05/09
CHK'D: GB 2019/06/24
APPR: GGA 2019/06/27

INITIAL REVISION:
DRWN: T.UENO 2004/03/29
APPR: YOITO 2012/09/20

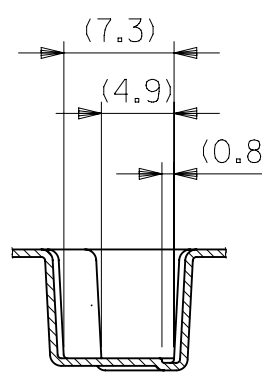
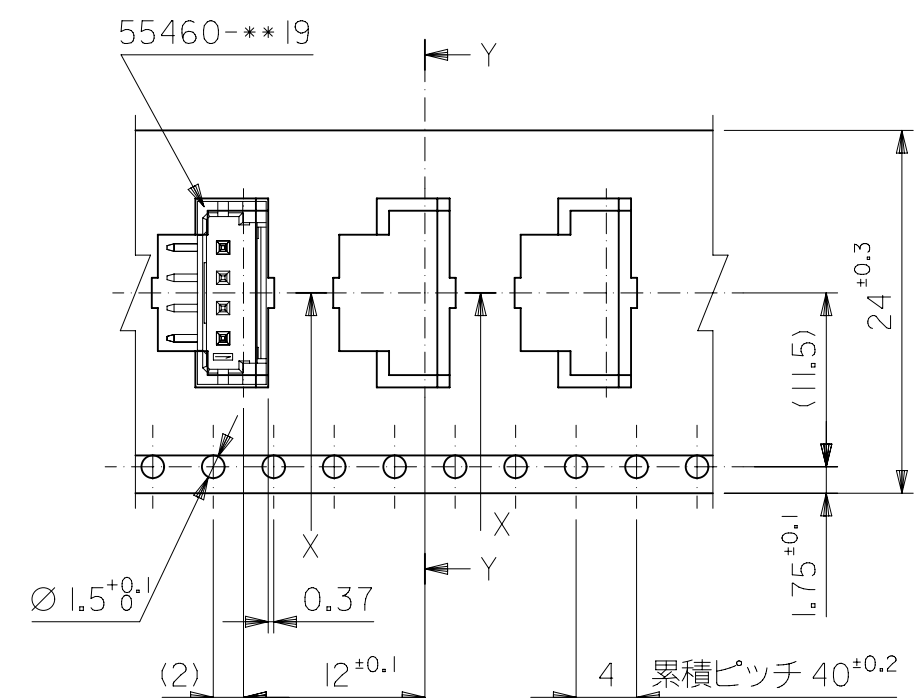
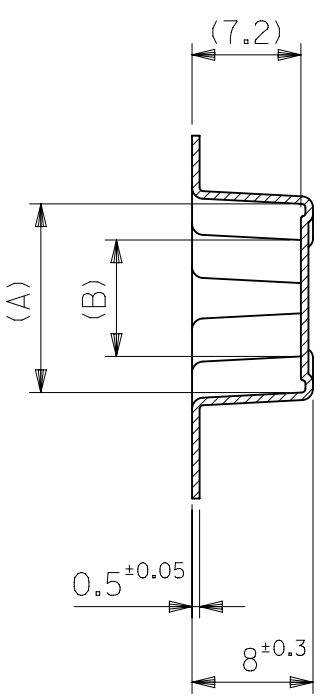
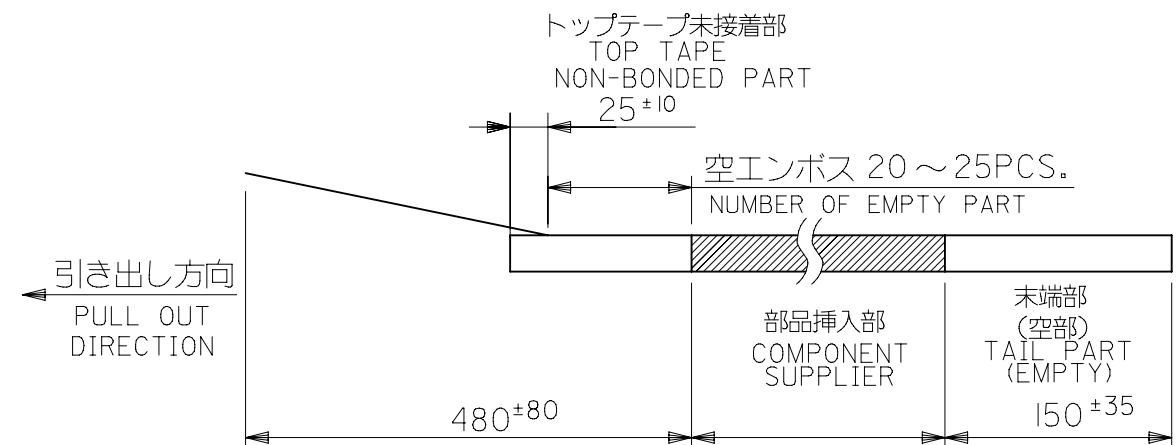
DOCUMENT NUMBER: SD-55460-010
DOC TYPE: PSD
DOC PART: 001
REVISION: C1

PRODUCT CUSTOMER DRAWING



NOTES

- 梱包数量：900個/リール
NUMBER OF CONNECTOR:900PCS/REEL
- リードテープ長さ
LEAD TAPE LENGTH
- トップテープの剥離強度：0.1N～1.3N(10gf～130gf) (剥離方向は下図参照)
PEELING OFF FORCE OF TOP TAPE:0.1N～1.3N(10gf～130gf)
(PEELING DIRECTION IS SHOWN IN FOLLOWING FIG.)
<剥離速度：300mm/min(参考)>
PEELING SPEED:300mm/min.(REFERENCE)
- 55460-**-19の詳細寸法については図面SD-55460-010を参照下さい。
RE DETAILED DIMENSIONS,SEE SD-55460-010
- 材料 (MATERIAL)
キャリアテープ(CARRIER TAPE):ポリプロピレン(POLYPROPYLENE)
トップテープ (TOP TAPE): PET ,PE ,PEF
リール (REEL): ポリスチレン (PS) <リサイクル材を含む>
POLYSTYRENE(PS)<RECYCLE MATERIAL CONTAINED>
- 本製品は 55460-**-90 の鉛フリー品である。
THIS PRODUCT IS LEAD FREE OF 55460-**-90.



SECT. X-X

24mm幅キャリアテープ
24mm WIDTH CARRIER TAPE

キャリアテープ幅	24	29.4	25.4	11.7	16.45	55460-0672	6
				9.7	14.45	55460-0572	5
				7.7	12.45	55460-0472	4
				5.7	10.45	55460-0372	3
				3.7	8.45	55460-0272	2
	D	C	B	A	MATERIAL NO.	極数	CKTS.

MATERIAL 材料	注記参照 SEE NOTES	GENERAL TOLERANCES: (UNLESS SPECIFIED) 一般公差
FINISH 仕上げ	—//—	10 UNDER 未満 ±0.2 10 OVER 以上 30 UNDER 未満 ±0.25 30 OVER 以上 ±0.3
WIRE RANGE 適用電線範囲	—//—	ANGLE 角度 ±3°
INS. RANGE 被覆外径	—//—	

55460-**-72 MODEL NO.

THIS DRAWING CONTAINS INFORMATION THAT IS PROPRIETARY TO MOLEX ELECTRONIC TECHNOLOGIES, LLC AND SHOULD NOT BE USED WITHOUT WRITTEN PERMISSION

CURRENT REV DESC: OBSOLETE PART NO

DIMENSION UNITS		SCALE	
mm	NTS		
GENERAL TOLERANCES (UNLESS SPECIFIED)			
4 PLACES	±	MM	INCH
3 PLACES	±		
2 PLACES	±		
1 PLACE	±		
0 PLACES	±		
ANGULAR TOL	±		

EC NO: 619468
DRWN: RPRABHUM 2019/05/09
CHK'D: GB 2019/06/24
APPR: GGA 2019/06/27

INITIAL REVISION:
DRWN: T.UENO 2004/03/29
APPR: M.SASAO 2004/03/29

DRAFT WHERE APPLICABLE MUST REMAIN WITHIN DIMENSIONS

THIRD ANGLE PROJECTION

DRAWING SERIES: B-SIZE 55460

MATERIAL NUMBER: SEE CHART

CUSTOMER: GENERAL MARKET

SHEET NUMBER: 1 OF 3

molex

2.0 W-TO-B CONN.
WAFER ASSY EMBSTP PKG -LEAD FREE-

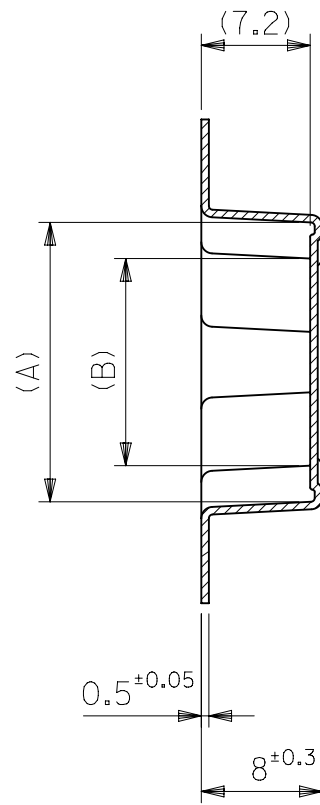
PRODUCT CUSTOMER DRAWING

DOCUMENT NUMBER: SD-55460-011

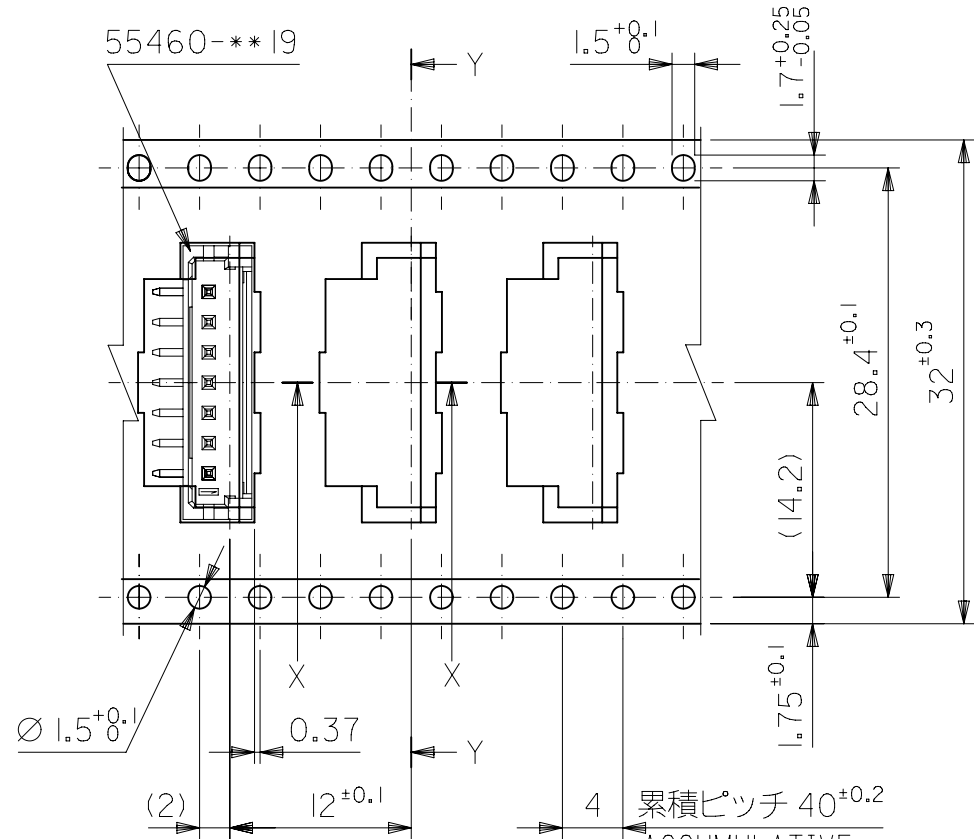
DOC TYPE: PSD

DOC PART: 001

REVISION: A

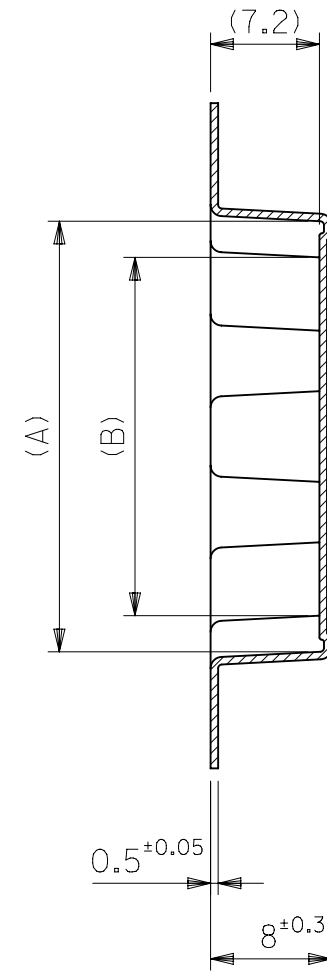


SECT. Y-Y

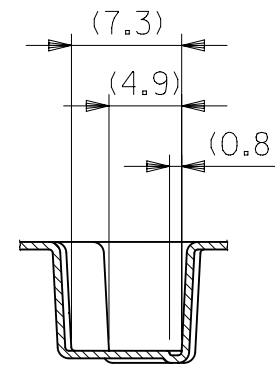


引き出し方向
PULL OUT DIRECTION

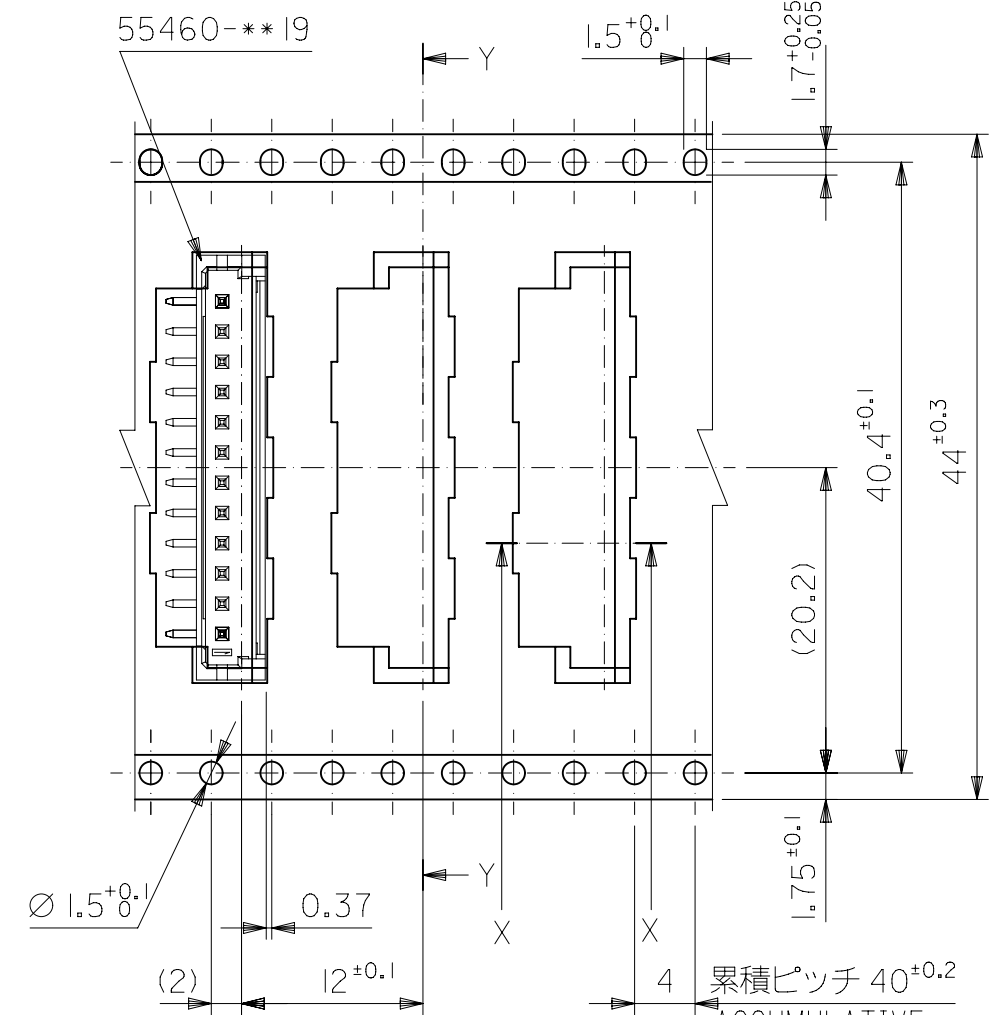
32mm幅キャリアテープ
32mm WIDTH CARRIER TAPE



SECT. Y-Y



SECT. X-X



引き出し方向
PULL OUT DIRECTION

44mm幅キャリアテープ
44mm WIDTH CARRIER TAPE

44	49.4	45.4	25.7	30.45	55460-1372	13
			23.7	28.45	55460-1272	12
			19.7	24.45	55460-1072	10
32	37.4	33.4	15.7	20.45	55460-0872	8
			13.7	18.45	55460-0772	7
キャリアテープ幅	D	C	B	A	MATERIAL NO.	極数 CKTS.

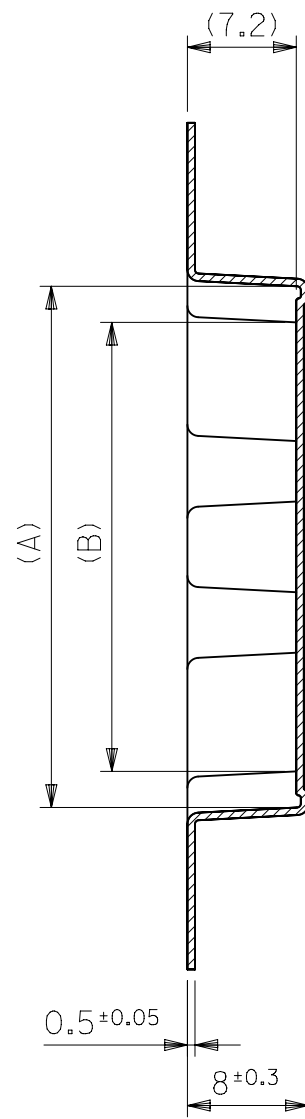
55460-***72 MODEL NO.

THIS DRAWING CONTAINS INFORMATION THAT IS PROPRIETARY TO MOLEX ELECTRONIC TECHNOLOGIES, LLC AND SHOULD NOT BE USED WITHOUT WRITTEN PERMISSION

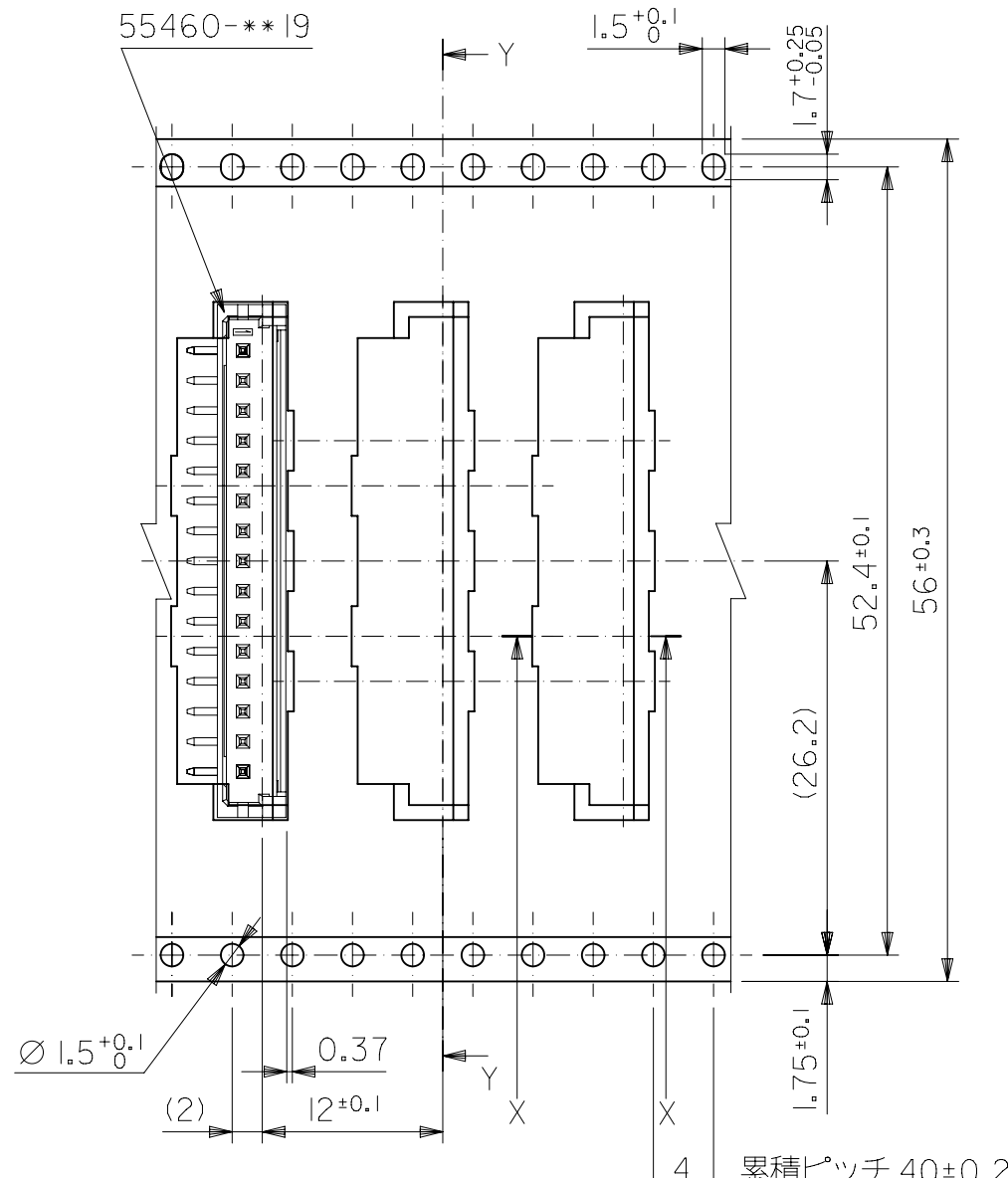
MATERIAL 材料	SHEET 1 OF 3 参照 SEE SHEET 1 OF 3		GENERAL TOLERANCES: (UNLESS SPECIFIED) 一般公差
FINISH 仕上げ	10 UNDER 未満	±0.2	
	10 OVER 30 UNDER 以上 未満	±0.25	
	30 OVER 以上	±0.3	
WIRE RANGE 適用電線範囲			ANGLE 角度 ±3°
INS. RANGE 被覆外径			

DIMENSION UNITS		SCALE	
mm	NTS		
GENERAL TOLERANCES (UNLESS SPECIFIED)			
4 PLACES ±	MM	INCH	
3 PLACES ±			
2 PLACES ±			
1 PLACE ±			
0 PLACES ±			
ANGULAR TOL ± °			
DRAFT WHERE APPLICABLE MUST REMAIN WITHIN DIMENSIONS		THIRD ANGLE PROJECTION	DRAWING
			B-SIZE
		SERIES	55460

molex			
2.0 W-TO-B CONN. WAFFER ASSY EMBSTP PKG -LEAD FREE-			
PRODUCT CUSTOMER DRAWING			
DOCUMENT NUMBER	DOC TYPE	DOC PART	REVISION
SD-55460-011	PSD	001	A
MATERIAL NUMBER	CUSTOMER	SHEET NUMBER	
SEE CHART	GENERAL MARKET	2 OF 3	



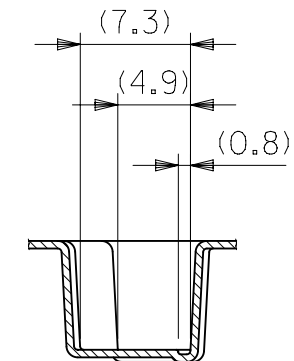
SECT. Y-Y



累積ピッチ 40±0.2
ACCUMULATIVE PITCH 40±0.2

引き出し方向
PULL OUT DIRECTION

56mm幅キャリアテープ
56mm WIDTH CARRIER TAPE



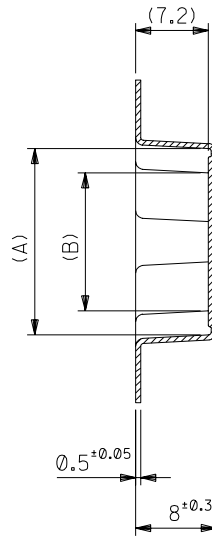
SECT. X-X

MATERIAL 材料	SHEET 1 OF 3 参照 SEE SHEET 1 OF 3	
FINISH 仕上げ	//	
WIRE RANGE 適用電線範囲	//	
INS. RANGE 被覆外径	//	

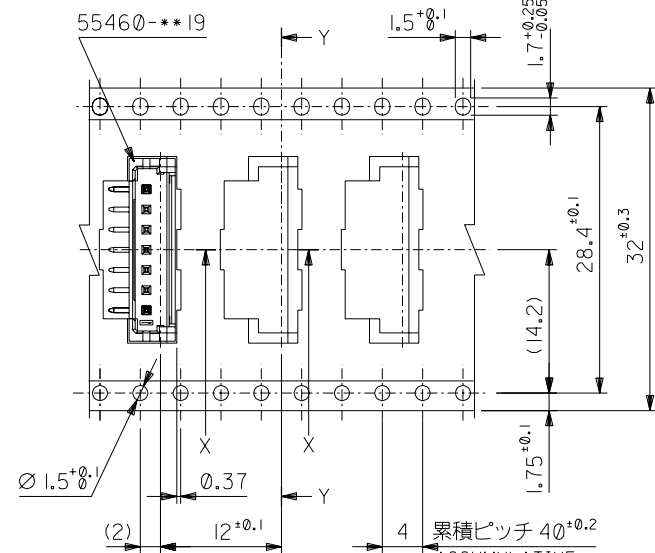
GENERAL TOLERANCES: (UNLESS SPECIFIED) 一般公差		
10 UNDER 未満		±0.2
10 OVER 以上	30 UNDER 未満	±0.25
30 OVER 以上		±0.3
ANGLE 角度		± 3°

THIS DRAWING CONTAINS INFORMATION THAT IS PROPRIETARY TO MOLEX ELECTRONIC TECHNOLOGIES, LLC AND SHOULD NOT BE USED WITHOUT WRITTEN PERMISSION

DIMENSION UNITS mm	SCALE NTS	CURRENT REV DESC: OBSOLETE PART NO		
GENERAL TOLERANCES (UNLESS SPECIFIED)		EC NO: 619468		
4 PLACES ±	MM INCH	DRWN: RPRABHUM	2019/05/09	molex 2.0 W-TO-B CONN. WAFER ASSY EMBSTP PKG -LEAD FREE- PRODUCT CUSTOMER DRAWING
3 PLACES ±		CHK'D: GB	2019/06/24	
2 PLACES ±		APPR: GGA	2019/06/27	
1 PLACE ±		INITIAL REVISION:		DOCUMENT NUMBER
0 PLACES ±		DRWN: T.UENO	2004/03/29	SD-55460-011
ANGULAR TOL ± °		APPR: M.SASAO	2004/03/29	DOC TYPE DOC PART REVISION
DRAFT WHERE APPLICABLE MUST REMAIN WITHIN DIMENSIONS	THIRD ANGLE PROJECTION	DRAWING	SERIES	MATERIAL NUMBER
		B-SIZE	55460	SEE CHART
				CUSTOMER
				GENERAL MARKET
				SHEET NUMBER
				3 OF 3

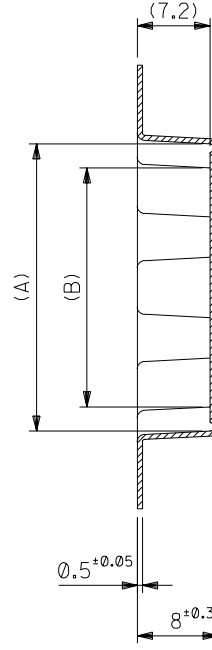


SECT. Y-Y

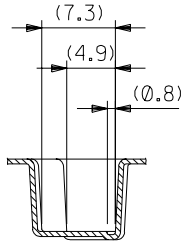


引き出し方向
PULL OUT DIRECTION

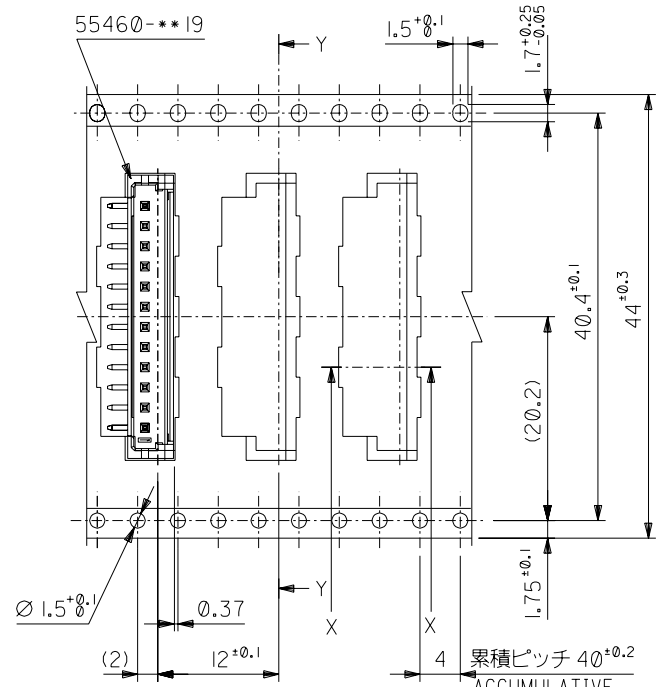
32mm幅キャリアテープ
32mm WIDTH CARRIER TAPE



SECT. Y-Y



SECT. X-X



引き出し方向
PULL OUT DIRECTION

44mm幅キャリアテープ
44mm WIDTH CARRIER TAPE

44	49.4	45.4	25.7	30.45	55460-1372	13
			23.7	28.45	55460-1272	12
32	37.4	33.4	19.7	24.45	55460-1072	10
			15.7	20.45	55460-0872	8
			13.7	18.45	55460-0772	7
キャリアテープ幅	D	C	B	A	MATERIAL NO.	種数 CKTS.

DO NOT SCALE DRAWING

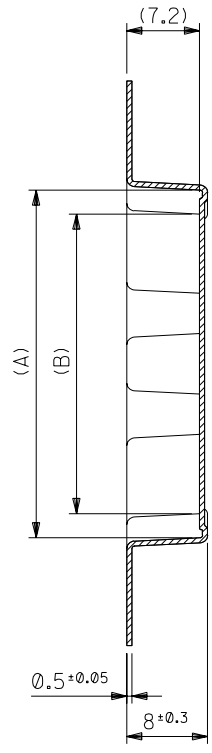
EC NO. DRWN: CHK: APPR:	EC NO. DRWN: CHK: APPR:	EC NO. DRWN: CHK: APPR:	EC NO. DRWN: CHK: APPR:	EC NO. DRWN: CHK: APPR:	EC NO. DRWN: CHK: APPR:
EC NO. SEE SHEET 1 OF 3					
REV					

MATERIAL 材料	SHEET 1 OF 3参照 SEE SHEET 1 OF 3
FINISH 仕上げ	//
WIRE RANGE 適用電線範囲	//
INS. RANGE 被覆外径	//

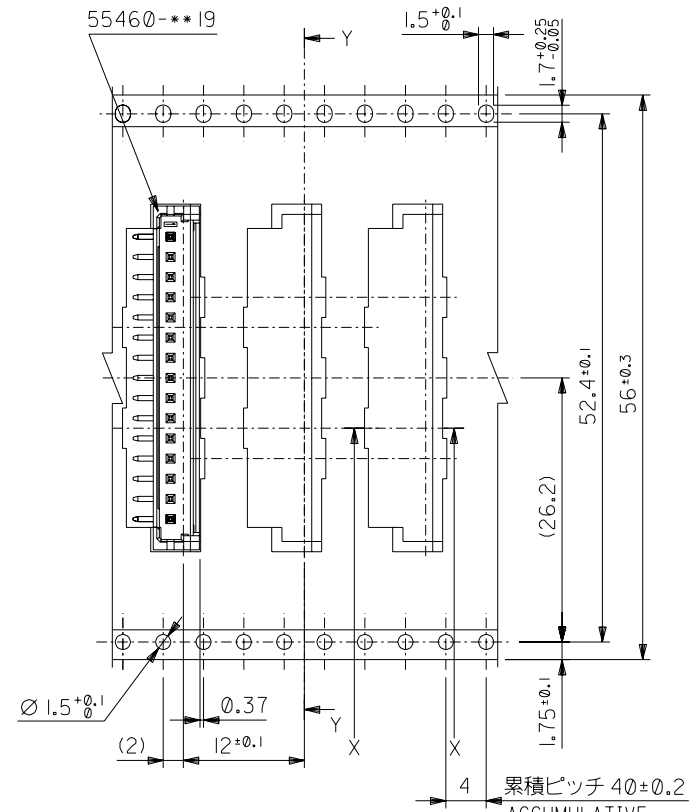
GENERAL TOLERANCES: (UNLESS SPECIFIED) 一般公差	10 UNDER 未満	±0.2
	10 OVER 30 UNDER 未満	±0.25
	30 OVER 以上	±0.3
ANGLE 角度		±3°

SCALE	DESIGN UNITS <input checked="" type="checkbox"/> mm <input type="checkbox"/> INCH	THIRD ANGLE PROJECTION	DIMENSIONS: <input type="checkbox"/> mm <input type="checkbox"/> INCH	SHT	REV
DRAWN BY & DATE T.UENO '04/03/29	TITLE: 2.0 WtB Conn WAFER Assy Embstp pkg -LEAD FREE-				
CHECKED BY & DATE M.SASAO '04/03/29	MOLEX INCORPORATED				
APPROVED BY & DATE M.SASAO '04/03/29	MATERIAL NO. SD-55460-011.S02	DRAWING NO. SEE CHART	SHEET NO. SD-55460-011	2 OF 3	
THIS DRAWING CONTAINS INFORMATION THAT IS PROPRIETARY TO MOLEX INCORPORATED AND SHOULD NOT BE USED WITHOUT WRITTEN PERMISSION.					SIZE B

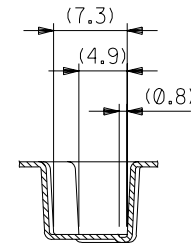
DWG. NO.
SD-55460-011



SECT. Y-Y



引き出し方向
PULL OUT DIRECTION
56mm幅キャリアテープ
56mm WIDTH CARRIER TAPE



SECT. X-X

56	61.4	57.4	29.7	34.45	55460-1572	15
キャリアテープ幅	D	C	B	A	MATERIAL NO.	種数 CKTS.

55460-***72		MODEL NO.	DIMENSIONS:		SHT	REV
SCALE	DESIGN UNITS	THIRD ANGLE PROJECTION	<input type="checkbox"/> mm	<input type="checkbox"/> INCH	<input checked="" type="checkbox"/> mm	REVISION ON CAD ONLY

DRAWN BY & DATE T.UENO '04/03/29		TITLE: 2.0 WtB Conn WAFER Assy Embstp pkg -LEAD FREE-			
CHECKED BY & DATE M.SASAO '04/03/29		MOLEX INCORPORATED			
APPROVED BY & DATE M.SASAO '04/03/29					
CAD FILENAME SD-55460-011.S03	MATERIAL NO. SEE CHART	DRAWING NO. SD-55460-011	SHEET NO. 3 OF 3		

DO NOT SCALE DRAWING					
EC NO. DRWN: CHK: APPR:	EC NO. DRWN: CHK: APPR:	EC NO. DRWN: CHK: APPR:	EC NO. DRWN: CHK: APPR:	EC NO. DRWN: CHK: APPR:	EC NO. SEE SHEET 1 OF 3 DRWN: CHK: APPR:
REVISIONS					
REV	DESCRIPTION	MATERIAL 材料	GENERAL TOLERANCES: (UNLESS SPECIFIED) 一般公差		WIRE RANGE 適用電線範囲
		SHEET 1 OF 3 参照 SEE SHEET 1 OF 3	10 UNDER 未満	±0.2	30 UNDER 未満
		FINISH 仕上げ	10 OVER 以上	±0.25	30 OVER 以上
		INS. RANGE 被覆外径	30 OVER 以上	±0.3	
			ANGLE 角度	±3°	

THIS DRAWING CONTAINS INFORMATION THAT IS PROPRIETARY TO MOLEX INCORPORATED AND SHOULD NOT BE USED WITHOUT WRITTEN PERMISSION. SIZE B