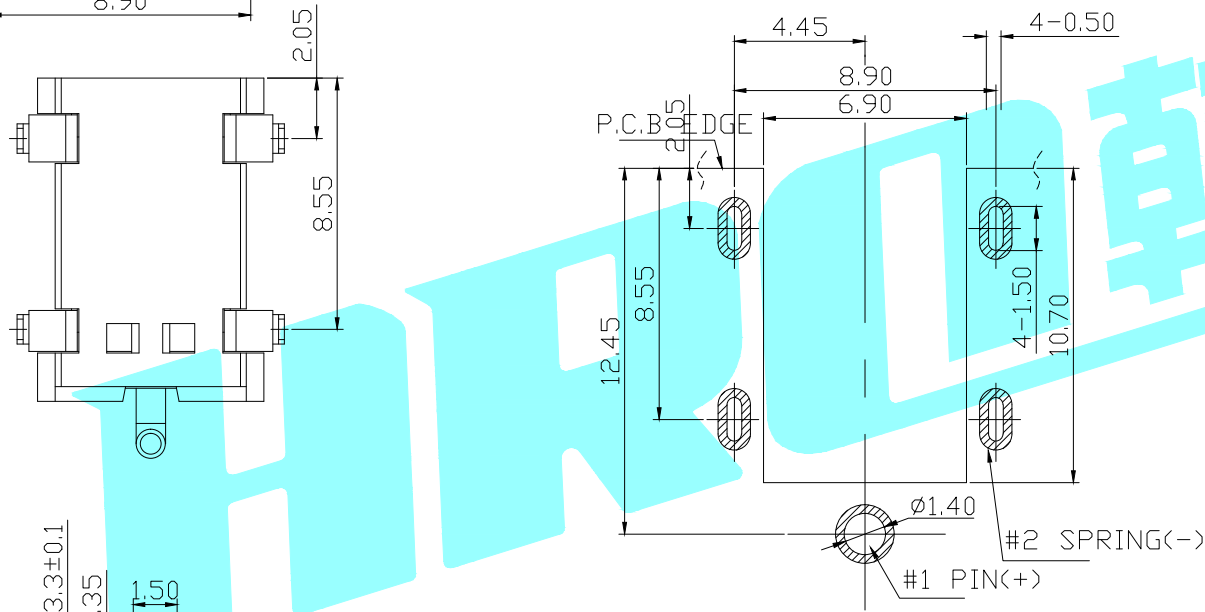
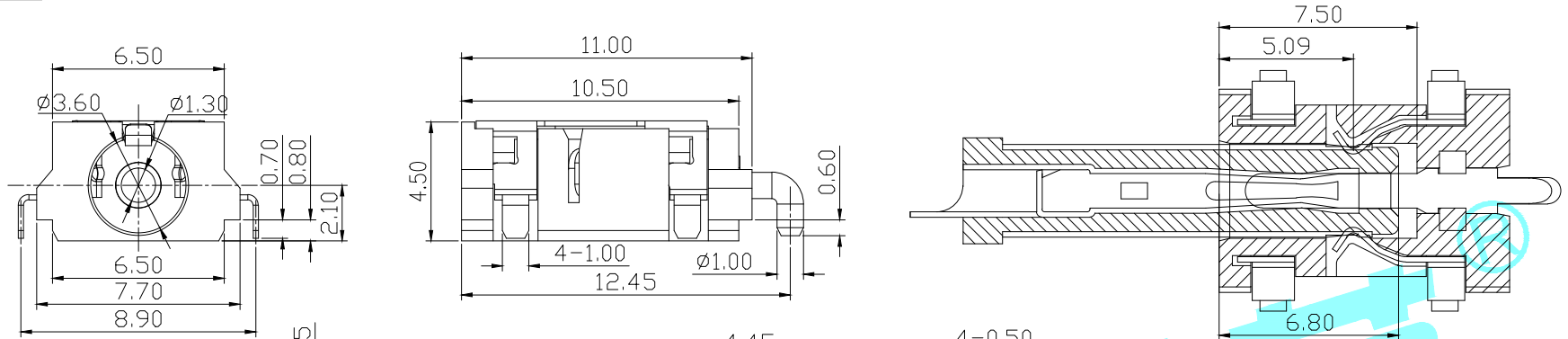
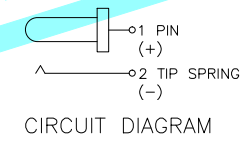


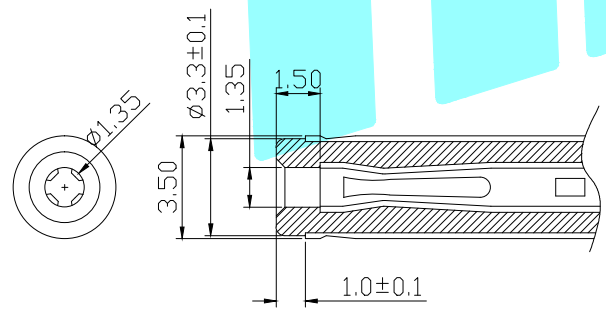
ROHS



DC JACK INSERT DEPTH



Specifications:  
 Rating: 3A 24V  
 Contact Resistance: 30 m $\Omega$  Max.  
 Operating temperature: -20 $^{\circ}$ C ~ 70 $^{\circ}$ C  
 Operating force: 2.94-29.4N  
 Operating Life: 5,000 cycles Min



MATE PLUG

ITEM	PART NAME	TER'NO.	QTY.	MATERIAL	FINISHING	REMARK
③	Center Pin	—	1	Brass	Au Plating	—
②	Terminal	—	1	Phosphor bronze	Au Plating	—
①	Housing	—	1	PA	Black	—

APPROVALS		DATE		HRO 韓榮® ELECTRONICS CO.,LTD		
DRAWN	J.X.Zhang	2013/11/11		TITLE:	DC JACKS	
CHECKED				PART NO.	DC-183	
APPROVALS				UNIT: mm	SCALE: 1:1	PROJ:
TOLERANCES ARE	30~以上 10~30 5~10 ~ 5	$\pm 0.30$ $\pm 0.20$ $\pm 0.15$ $\pm 0.10$	ANGLE $\pm 2'$	DRAWING NO.		SHEET 1 OF 1

ECN NO.	REV.	DATE.	DESCRIPTION.	CHANGE.	CHECK.	APPRO.
	A		NEW			