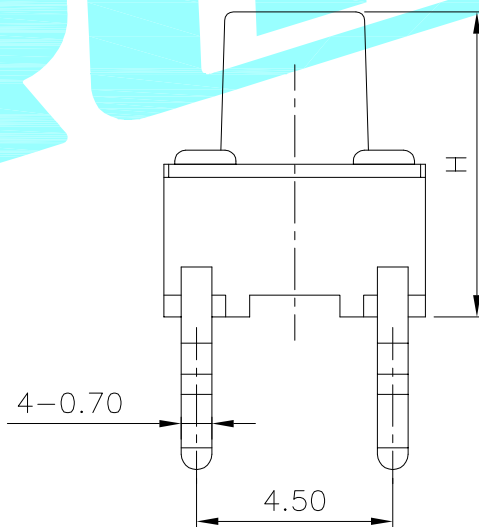
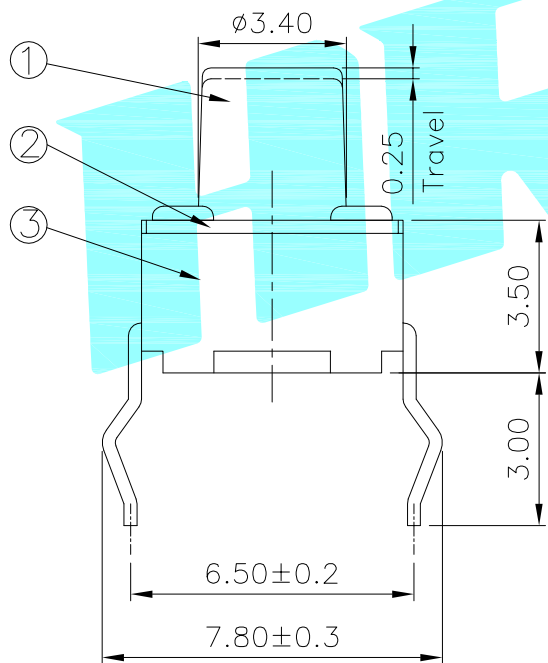


Circuit Diagram

PCB Layout(Pattern side)



NO.1			
PART NO	H	PART NO	H
A	4.3	Q	12
B	4.5	R	12.5
C	5	S	13
D	5.5	T	13.5
E	6	U	14
F	6.5	V	15
G	7	W	16
H	7.5	X	17
I	8	Y	18
J	8.5	Z	19
K	9	1	15.5
L	9.5	2	16.5
M	10	3	17.5
N	10.5	4	22
O	11	5	23
P	11.5	6	20

NO.2	
PART NO	vigor
1	90±30
2	130±30
3	180±30
4	250±30
5	350±50

NO.3	
PART NO	MATERIAL/QTY
S	SUS/1PC
C	C5210/1PC
D	SUS/2PCS
F	C5210/2PCS

NO.4-NO.5	
PART NO	NOTE
01~99	SERIAL NUMBER

⑤	Terminal	—	4	Brass(0.30t)	Plating silver	—
④	Contact	—	1	F.Ag/SUS	—	—
③	Base	—	1	Nylon	Black	—
②	Cover	—	1	SPCC	Plating Nickel	—
①	Keystoke	—	1	Nylon	Black	—
ITEM	PART NAME	TER'NO.	QTY.	MATERIAL	FINISHING	REMARK

APPROVALS		DATE	HROE® ELECTRONICS CO.,LTD			
DRAWN	J.X.Zhang	2013/5/30	TITLE:	TACT SWITCHS		
CHECKED			PART NO.	K2-1102DP-□□□W-□□		
APPROVALS			UNIT: mm	SCALE: 1:1	PROJ:	
TOLERANCES ARE	30~以上 ±0.30	10~30 ±0.20	ANGLE	DRAWING NO.		SHEET 1 OF 1
	5~10 ±0.15	~ 5 ±0.10	±2'			

ECN NO.	REV.	DATE.	DESCRIPTION.	CHANGE.	CHECK.	APPRO.
—	A	—	NEW	—	—	—