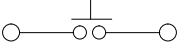
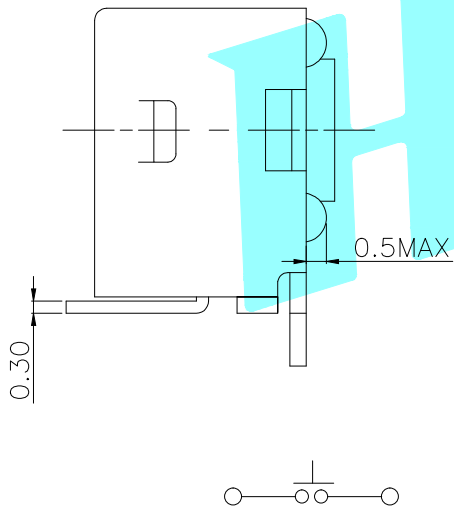
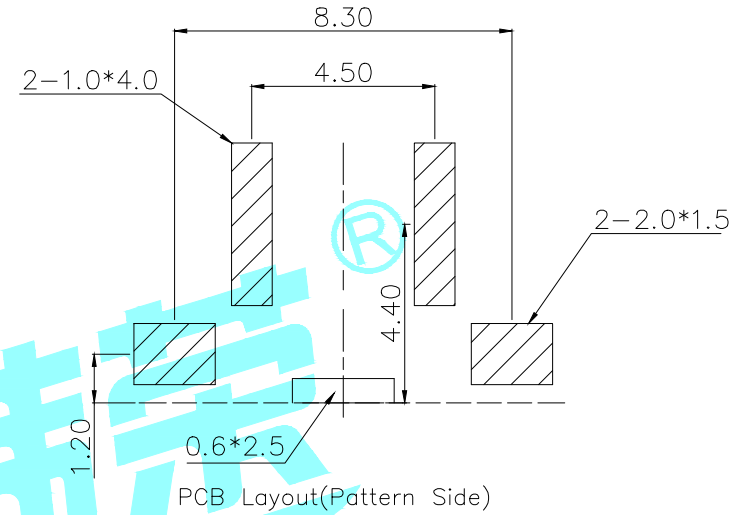
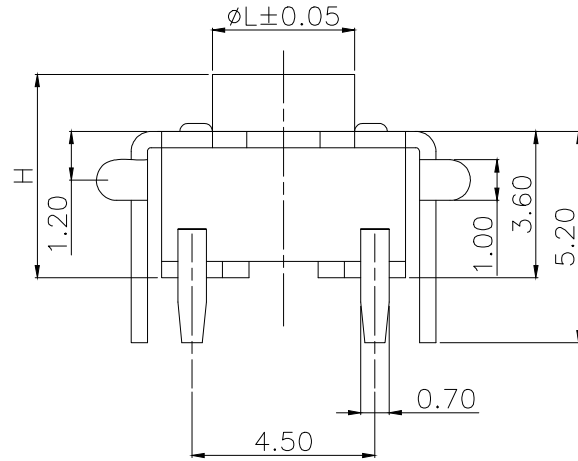
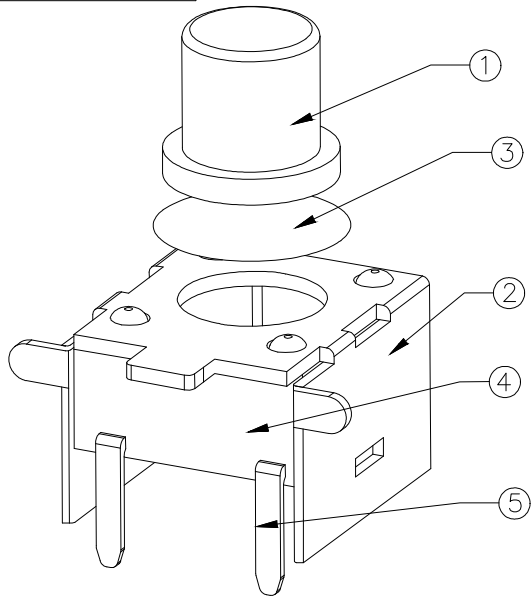
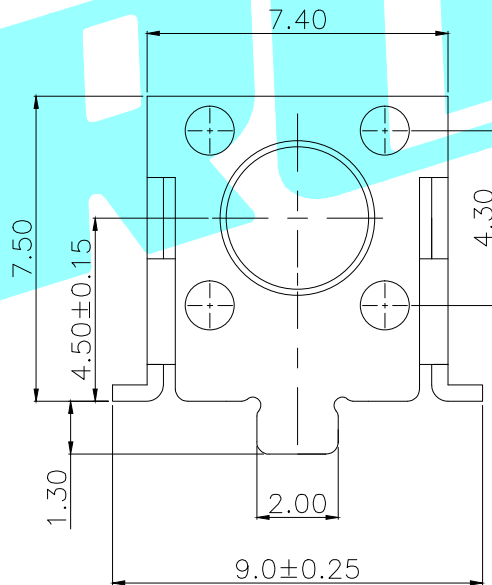


ROHS



Circuit diagram



NO.1		
PART NO	$\phi L$	H
A	3.5	4.3
B		4.5
C		5
D		5.5
E		6
F	3.3	6.5
G		7
H		7.5
I		8

NO.2	
PART NO	vigor
2	130±30
3	180±30
4	250±50

NO.3	
PART NO	MATERIAL/QTY
S	SUS/1PC
C	C5210/1PC
D	SUS/2PCS
F	C5210/2PCS

NO.4-NO.5	
PART NO	NOTE
01~99	SERIAL NUMBER

⑤	Terminal	—	2	Brass(0.30t)	Plating silver	—
④	Base	—	1	PPA	Black	—
③	Contact	—	1	F.Ag/SUS	—	—
②	Cover	—	1	SPCC	—	—
①	Keystoke	—	1	PPA	Black	—
ITEM	PART NAME	TER'NO.	QTY.	MATERIAL	FINISHING	REMARK

APPROVALS


DATE

DRAWN LIUCAN 2020.12.16

**HRON**  
ELECTRONICS CO.,LTD

CHECKED TITLE: TACT SWITCHES

APPROVALS PART NO. K2-1102HW-□□□W-□□

TOLERANCES ARE: 30~以上 ±0.30, 10~30 ±0.20, 5~10 ±0.15, ~5 ±0.10; ANGLE: UNIT: mm, SCALE: 1:1, PROJ: 

DRAWING NO. SHEET 1 OF 1

ECN NO.	REV	DATE.	DESCRIPTION.	CHANGE.	CHECK.	APPRO.
—	A	—	NEW	—	—	—