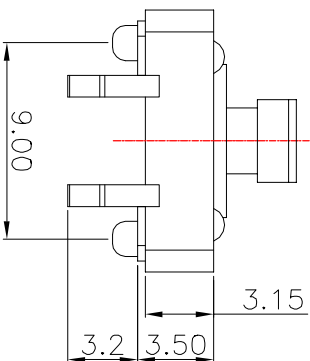
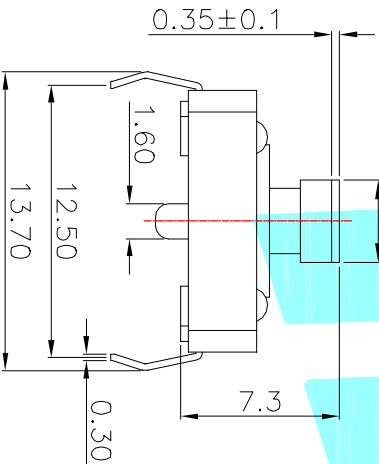


Circuit Diagram

PCB Layout(Pattern side)



NO.1	
PART NO	vigor
1	90±30
2	130±30
3	180±30
4	250±30
5	350±50

NO.2	
PART NO	MATERIAL/QTY
S	SUS/1PC
C	C5210/1PC
D	SUS/2PCS
F	C5210/2PCS

NO.3-NO.4	
PART NO	NOTE
01~99	SERIAL NUMBER

ITEM	PART NAME	TER'NO.	QTY.	MATERIAL	FINISHING	REMARK
⑤	Terminal	—	4	Brass(0.3t)	Plating silver	—
④	Contact	—	1	F.Ag/C5210	—	—
③	Base	—	1	Nylon	Black	UL94V-0
②	Cover	—	1	SPCC/Bross	Plating Sn	—
①	Keystoke	—	1	Nylon	Black	UL94V-0

APPROVALS		DATE	
DRAWN	J.X.Zhong	DATE	2014/2/18

CHECKED		TITLE:	
APPROVALS		TACT SWITCHS	
TOLERANCES ARE		PART NO.	K2-1103DT-AD0W-00
30~0.1±	±0.30	SCALE:	1:1
10~0.30	±0.20	UNIT:	mm
5~0.10	±0.15	DRAWING NO.	
~5	±0.10		

ECN NO.	REV.	DATE.	DESCRIPTION.	CHANGE.	CHECK.	APPRO.
	A		NEW			



HONGSHENG ELECTRONICS CO., LTD