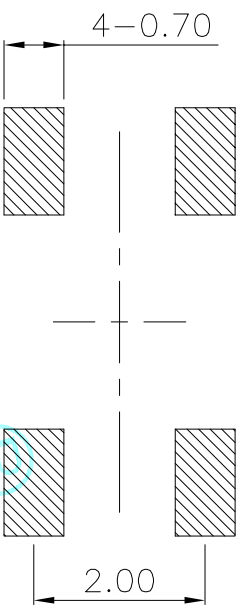
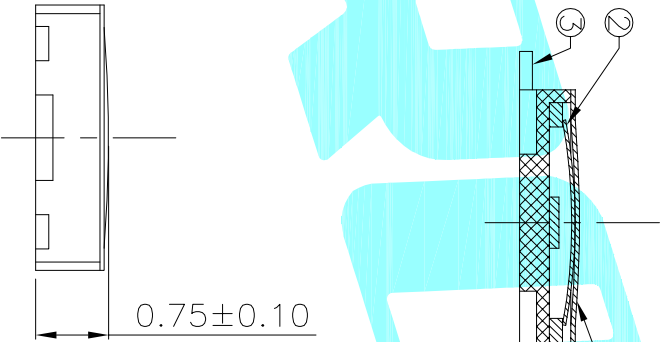
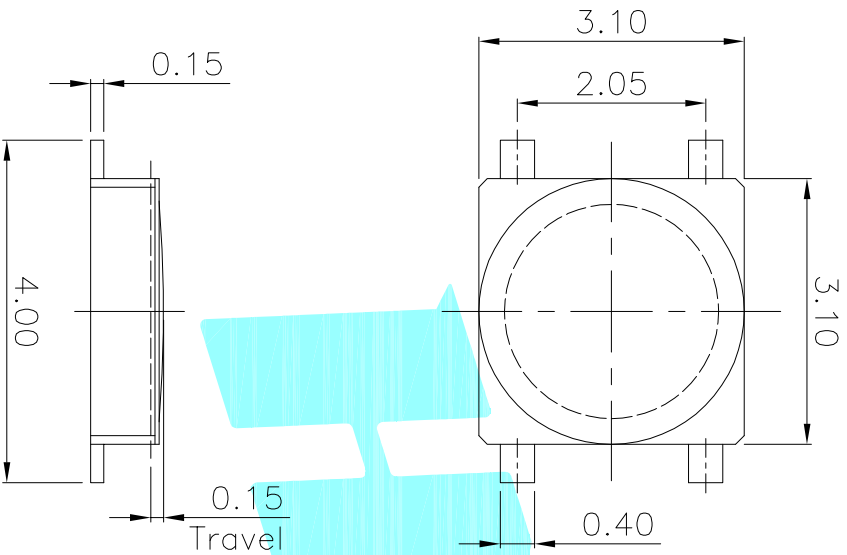


Circuit Diagram



PCB Layout (Pattern side)

NO.1	
PART NO	Material/Qty
1	90±30
2	130±30
3	180±30
4	250±30
5	350±50

NO.2	
PART NO	MATERIAL/Qty
S	SUS/1PC
D	SUS/2PCS

NO.3-NO.4	
PART NO	NOTE
01~99	SERIAL NUMBER

ITEM	PART NAME	TER'NO.	QTY.	MATERIAL	FINISHING	REMARK
④	Dust Cover	—	1	Kapton Film	Yellow	—
③	Terminal	—	4	Phosphor Bronze	Plating silver	—
②	Contact	—	1	F.Ag/SUS	Natural	—
①	Base	—	1	Nylon	Black	—

APPROVALS		DATE		TITLE:	
DRAWN	J.X.Zhong	DATE	2013/8/29	TACT SWITCHS	
CHECKED		ELECTRONICS CO.,LTD			
APPROVALS		PART NO.		K2-1177SR-AD0W-00	
TOLERANCES ARE		30~Ø以上	±0.30	ANGLE	—
		10~30	±0.20	UNIT: mm	SCALE: 1:1
		5~10	±0.15	DRAWING NO.	PROJ:
		~5	±0.10		SHEET 1 OF 1

ECN NO.	REV.	DATE.	DESCRIPTION.
	A		NEW

CHANGE.	CHECK.	APPRO.