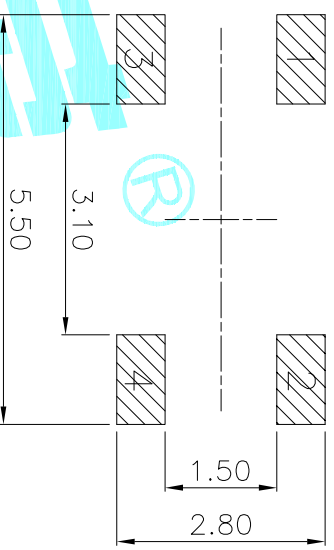
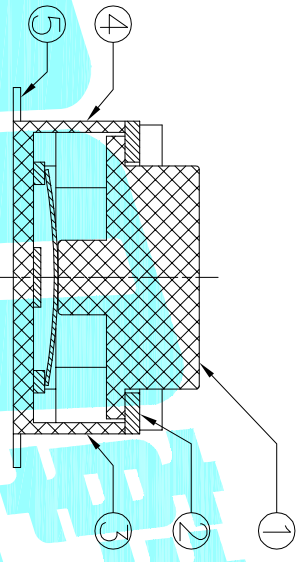
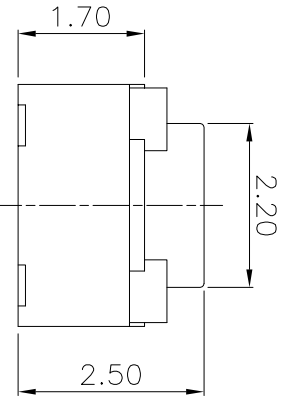
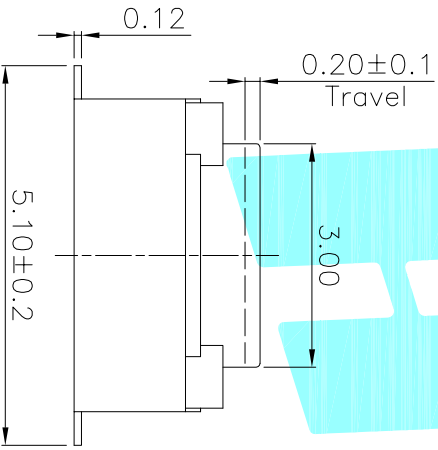
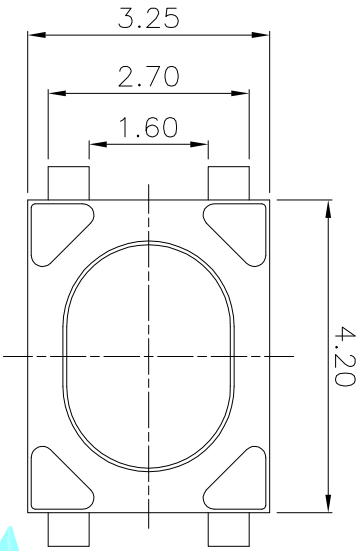
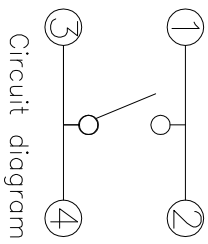


Typical Specifications :
 1. Rating : DC 12V 50mA
 2. Life:100,000 Cycles Min.



| NO.1 | |
|---------|--------|
| PART NO | VIGOR |
| 1 | 90±30 |
| 3 | 180±30 |
| 4 | 250±30 |

| NO.2 | |
|---------|---------------|
| PART NO | MATERIAL/ QTY |
| S | SUS/1PC |
| D | SUS/2PCS |

| NO.3-NO.4 | |
|-----------|---------------|
| PART NO | NOTE |
| 01~99 | SERIAL NUMBER |

| ITEM | PART NAME | TER'NO. | QTY. | MATERIAL | FINISHING | REMARK |
|------|-----------|---------|------|-----------------|----------------|--------|
| ⑤ | Terminal | — | 4 | Phosphor Bronze | Plating silver | — |
| ④ | Contact | — | 1 | F.Ag/SUS | Plating silver | — |
| ③ | Base | — | 1 | LCP | White | — |
| ② | Cover | — | 1 | SUS | Natural | — |
| ① | Keystroke | — | 1 | LCP | White | — |

| APPROVALS | | DATE |
|-----------|------------|------------|
| DRAWN | xu qi feng | 2014.11.20 |

| APPROVALS | | TITLE: |
|----------------|------------------------------|----------------------------|
| CHECKED | | TACT SWITCHS |
| APPROVALS | | PART NO. K2-1808SN-ADDW-00 |
| TOLERANCES ARE | 30~0.1±, 10~0.20, 5~0.10, ~5 | SCALE: 1:1 |
| | ±0.30, ±0.20, ±0.15, ±0.10 | PROJ: 00 |
| | ANGLE ±2' | DRAWING NO. |
| | | SHEET 1 OF 1 |

| ECN NO. | REV. | DATE. | DESCRIPTION. | CHANGE. | CHECK. | APPRO. |
|---------|------|-------|--------------|---------|--------|--------|
| | A | | NEW | | | |



ELECTRONICS CO., LTD