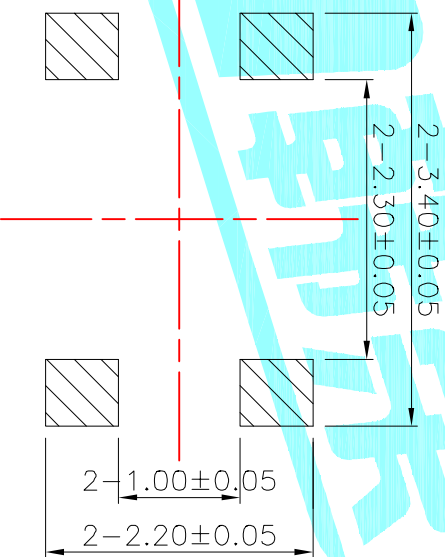
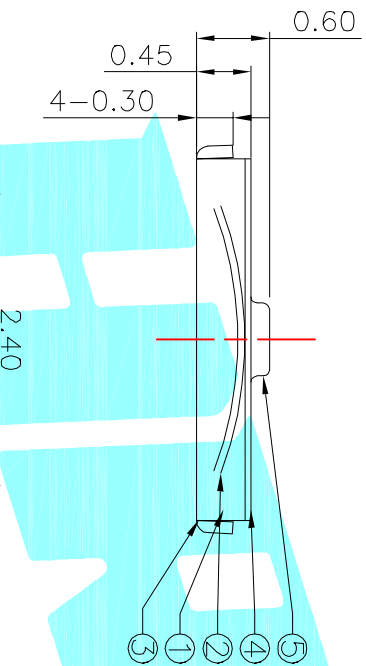


Circuit Diagram



NO.1	
PART NO	vigor
3	180±30
5	350±30



PCB Layout (Pattern Side)

- Typical Specifications :
1. Rating : DC 12V 50mA
 2. Life:500,000 Cycles Min.
 3. Travel:0.15±0.05mm

ITEM	PART NAME	TER'NO.	QTY.	MATERIAL	FINISHING	REMARK
⑤	Knob	—	1	PET	Black	—
④	Dust cover	—	1	KAPTON FILM	Yellow	—
③	Terminal	—	4	Phosphor Bronze	Plating silver	—
②	Contact	—	2	F.Ag/SUS	Plating silver	—
①	Base	—	1	Nylon	Black	—

APPROVALS		DATE
DRAWN	XU QI FENG	2014.11.19

ECN NO.	REV.	DATE.	DESCRIPTION.	CHANGE.	CHECK.	APPRO.
	B		NEW			
	A		NEW			

TOLERANCES ARE	30~12.5 ±	±0.30	ANGLE	±2°
	10~30	±0.20	UNIT: mm	
	5~10	±0.15	SCALE: 1:1	
	~5	±0.10	DRAWING NO.	



ELECTRONICS CO.,LTD

TACT SWITCHS

PART NO. K2-1837UQ-CDDW-06

PROJ: CDDW-06

SHEET 1 OF 1