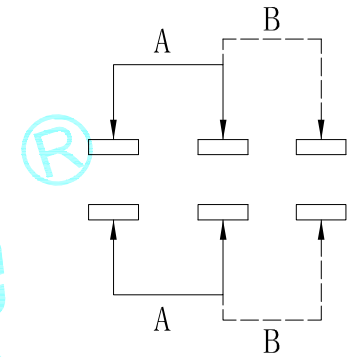
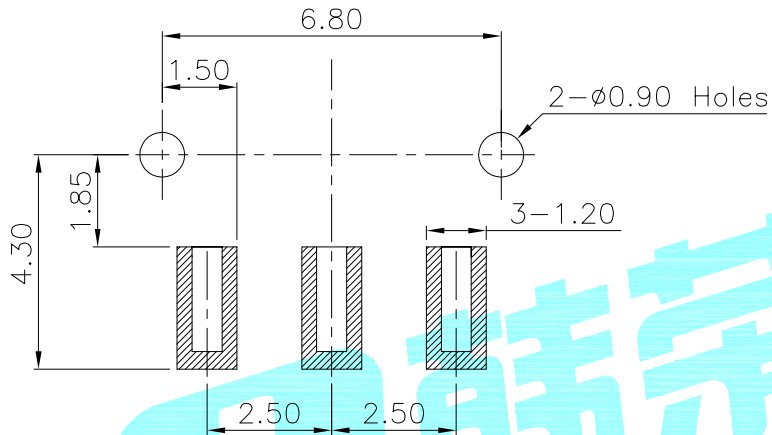
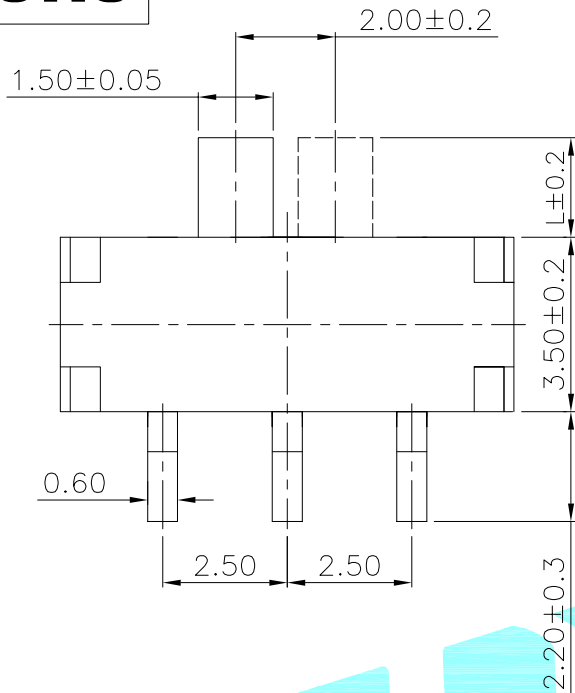
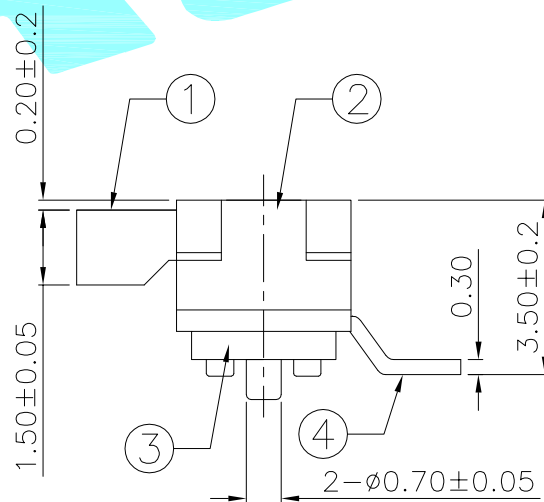
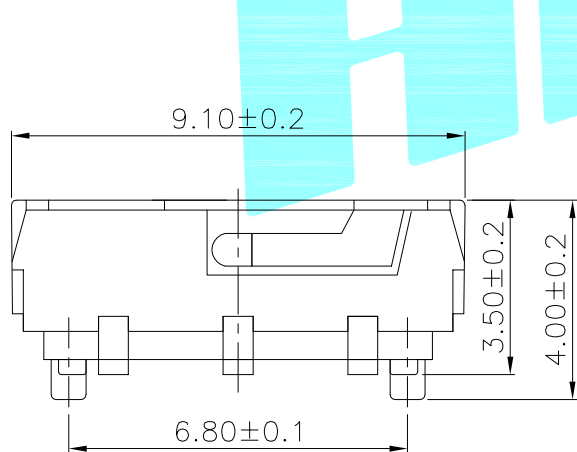


**ROHS**



Circuit Diagram

PCB Layout (Pattern side)



PART NO.	L	Operating force
K3-1280S-F1	2	200±100gf
K3-1280S-K1	3	
K3-1280S-L1	4	

⑤	Contact Spring	—	2	Beryllium copper	Ag Plated	—
④	Terminal	—	3	Brass Strip	Ag Plated	—
③	Base	—	1	NYLON	Black	—
②	Cover	—	1	SUS	Natural	—
①	KNOB	—	1	NYLON	White	—
ITEM	PART NAME	TER'NO.	QTY.	MATERIAL	FINISHING	REMARK

APPROVALS			DATE		 ELECTRONICS CO.,LTD		
DRAWN	J.X.Zhang		2013/9/26				TITLE:
CHECKED					PART NO.		
APPROVALS							
TOLERANCES ARE		30~以上	±0.30	ANGLE	UNIT: mm	SCALE: 1:1	PROJ:
		10~30	±0.20				
		5~10	±0.15				
		~ 5	±0.10				
			±2'		DRAWING NO.		SHEET 1 OF 1

ECN NO.	REV.	DATE.	DESCRIPTION.	CHANGE.	CHECK.	APPRO.
—	A	—	NEW	—	—	—