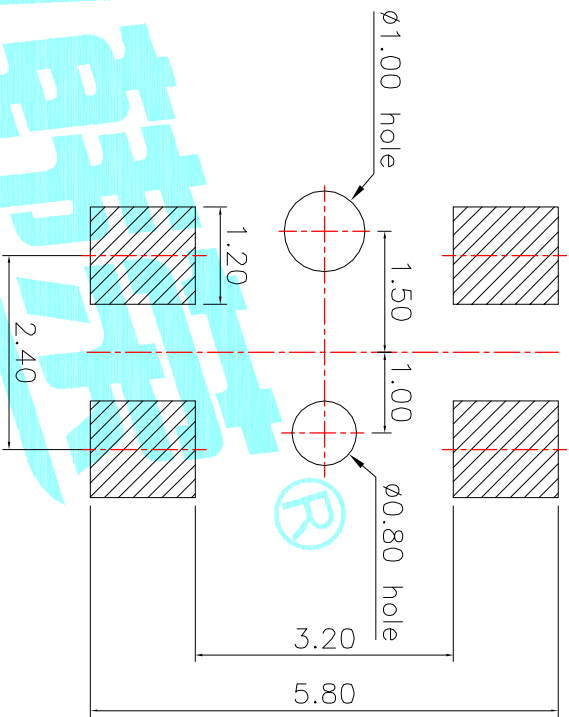
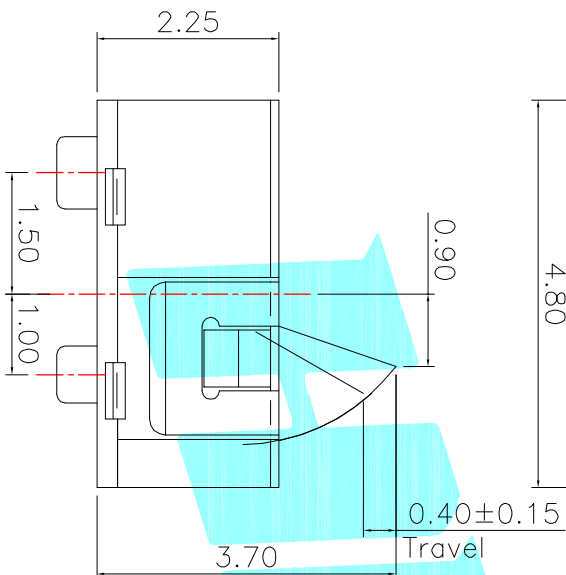


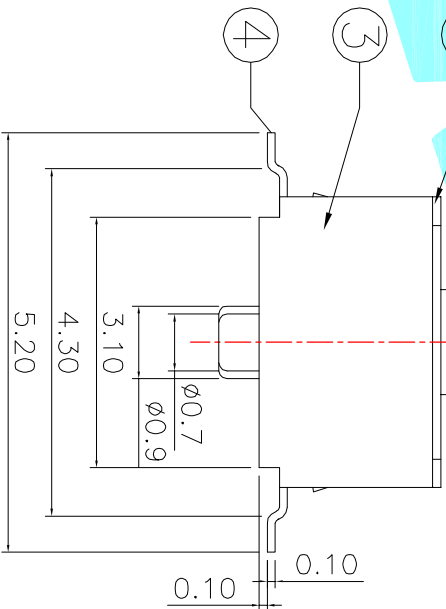
Circuit Diagram



PCB Layout(Pattern side)



NOTE:  
 Rating: DC 30V 0.1A  
 Operating Force: 30±10gf  
 Lifetime: 100,000 Cycles



PART NO.		K5-1215SA-01	K5-1215SN-01

ITEM	PART NAME	TER'NO.	QTY.	MATERIAL	FINISHING	REMARK
⑤	Contact Spring	—	1	Be Alloy	Ag Plated	—
④	Terminal	—	4	Phosphor Bronze	Ag Plated	—
③	Base	—	1	LCP	Black	—
②	Cover	—	1	SUS	Natural	—
①	Slider	—	1	PA46	Black	—

APPROVALS	DATE	TITLE:	DETECTOR SWITCHS
DRAWN J.X.Zhong	2014/7/21	ELECTRONICS CO.,LTD	

ECN NO.	REV.	DATE.	DESCRIPTION.	CHANGE.	CHECK.	APPRO.
	A		NEW			
TOLERANCES ARE: 30~12.5 ±0.30 ANGLE PART NO. SCALE: 1:1 PROJ: SHEET 1 OF 1 10~30 ±0.20 UNIT: mm DRAWING NO. 5~10 ±0.15 ±2'						