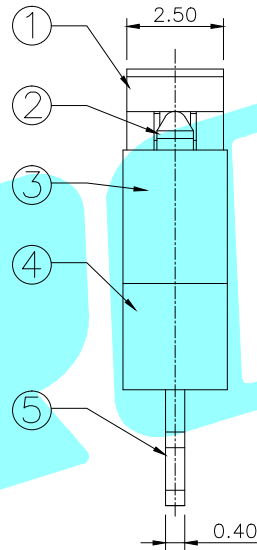
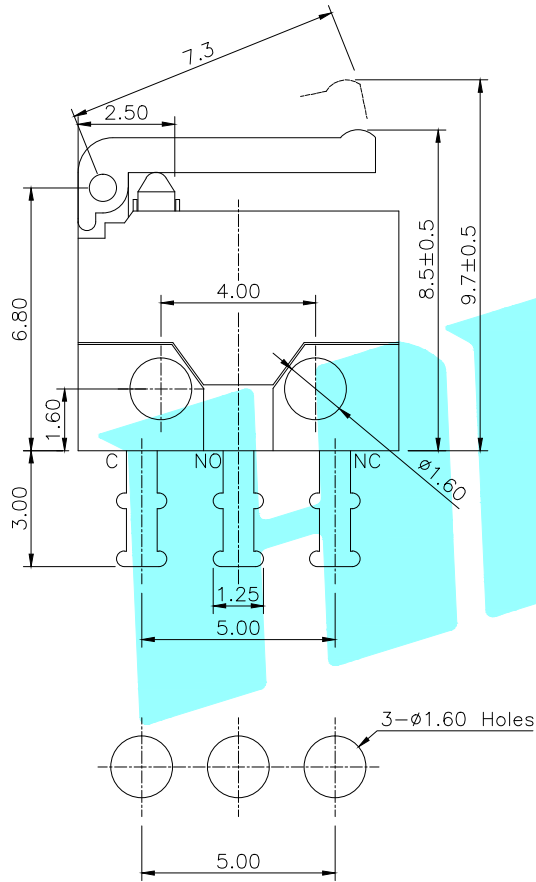
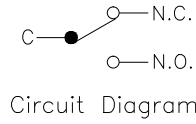
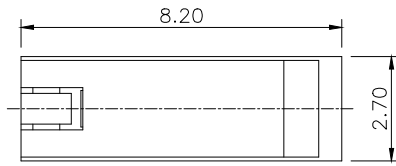
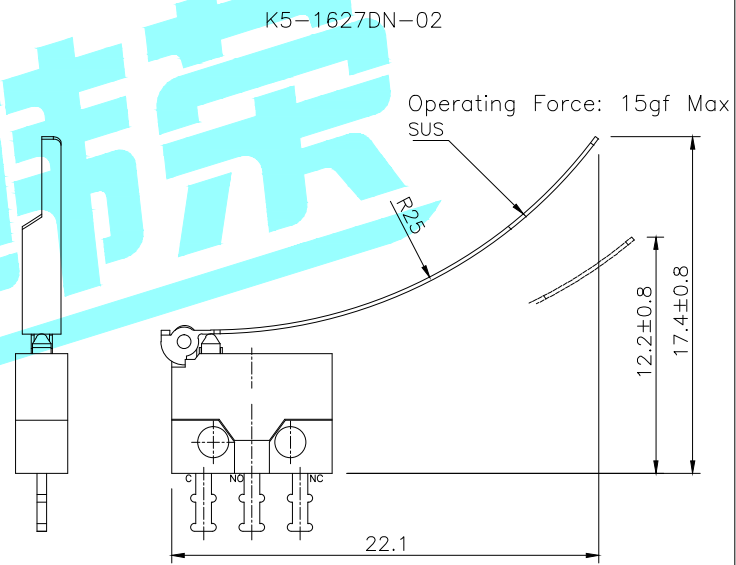
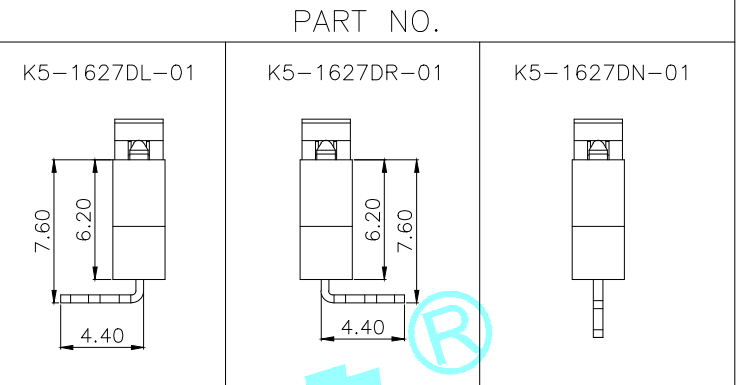


ROHS



NOTE:
 Rating: DC 30V 50mA
 Operating Force: 30±15gf
 Lifetime: 25,000 Cycles



⑦	Touch Point	—	1	Silver Alloy	Natural	—
⑥	Spring Plate	—	1	Phosphorous Bronze	Natural	—
⑤	Terminal	—	3	Brass	Ag Plated	—
④	Housing	—	1	PA46	Black	—
③	Cover	—	1	PBT	Black	—
②	Knob	—	1	PA46	Black	—
①	Lever	—	1	PA46	Black	—
ITEM	PART NAME	TER'NO.	QTY.	MATERIAL	FINISHING	REMARK

APPROVALS		DATE		 ELECTRONICS CO.,LTD		
DRAWN	J.X.Zhang	2019/8/1				
CHECKED				TITLE:		DETECTOR SWITCHES
APPROVALS				PART NO.		K5-1627D□-01
TOLERANCES ARE			30~以上	±0.30	ANGLE	UNIT: mm
			10~30	±0.20		
			5~10	±0.15	±2'	SCALE: 1:1
			~ 5	±0.10		
DRAWING NO.		PROJECT		SHEET 1 OF 1		

ECN NO.	REV.	DATE.	DESCRIPTION.	CHANGE.	CHECK.	APPRO.
—	A	—	NEW	—	—	—