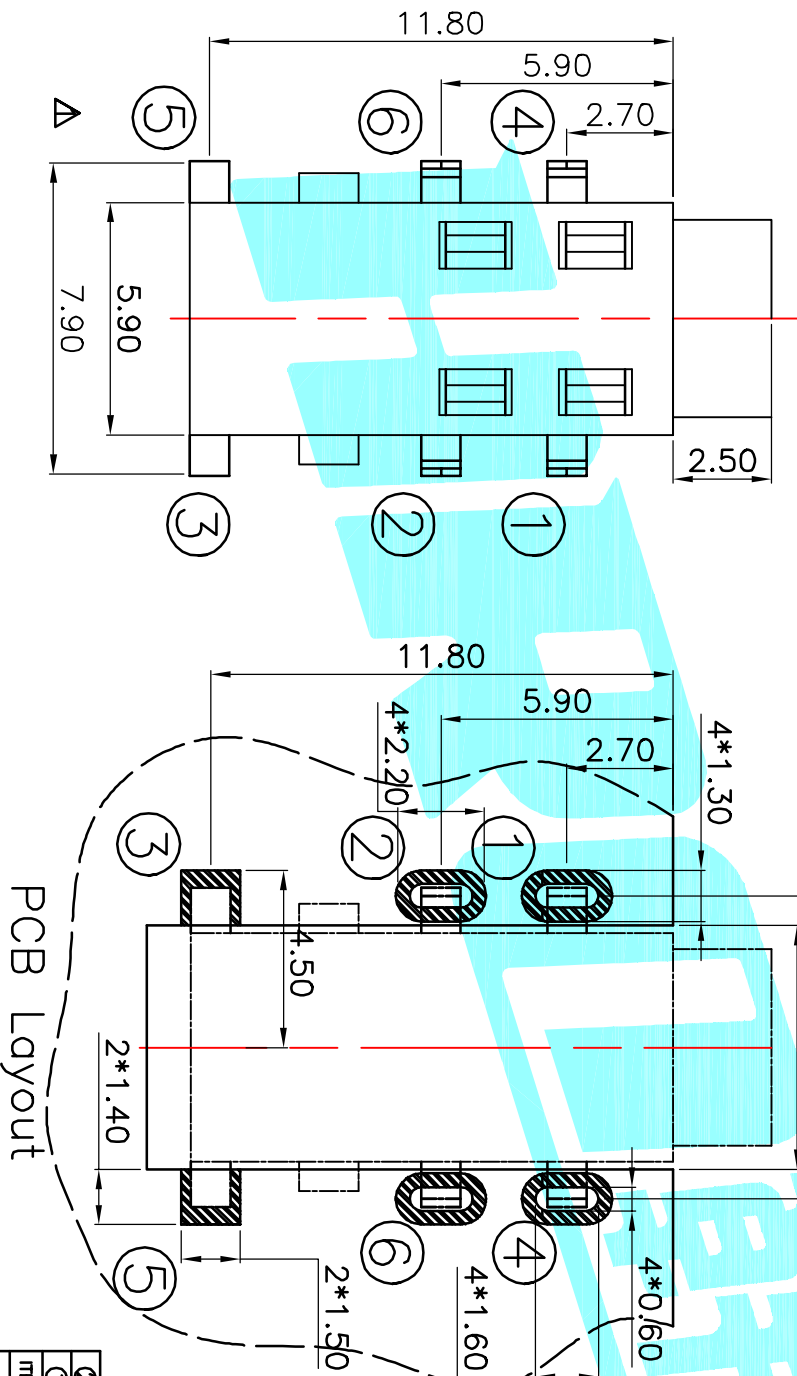


CIRCUIT DIAGRAM



PCB Layout

Rating:0.5A 30V DC
 Contact Resistance:100 mΩ Max.
 Operating temperature:-20℃~70℃
 Operating force:3-20N
 Operating Life:5,000cycles

②	Terminal	3	Phosphor bronze	Ag Plating		
①	Housing	1	Nylon	Black		
ITEM	PART NAME	TER'NO.	QTY.	MATERIAL	FINISHING	REMARK
APPROVALS		DATE				
DRAWN		QIFENG.XU 2015.11.20		ELECTRONICS CO.,LTD		
CHECKED				TITLE: PHONE JACKES		
APPROVALS				PART NO. PJ-399B		
TOLERANCES ARE		30 ^{+0.15} _{-0.10}	±0.30	ANGLE	UNIT: mm	SCALE: 1:1
		5 ^{+0.15} _{-0.10}	±0.10	±2°	DRAWING NO.	PROJ-4
		~5	±0.10			SHEET 1 OF 1

ECN NO.	REV.	DATE.	DESCRIPTION.
	B		
	A		

修改产品尺寸和尺寸公差为7mm 修改 PCB 破板要求
 NEW
 CHECK. APPRO.