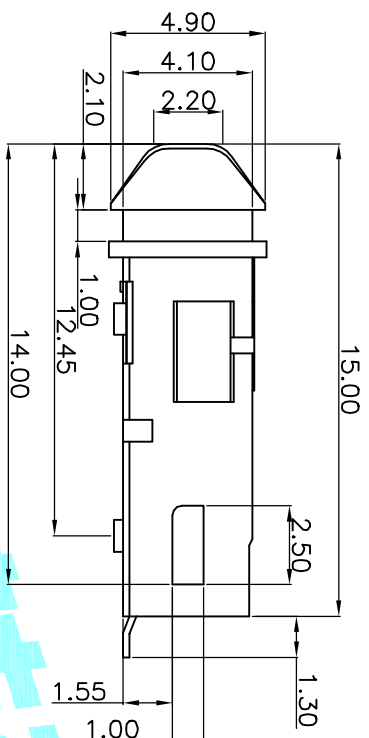
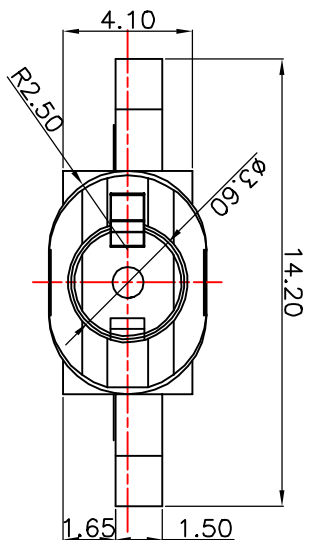
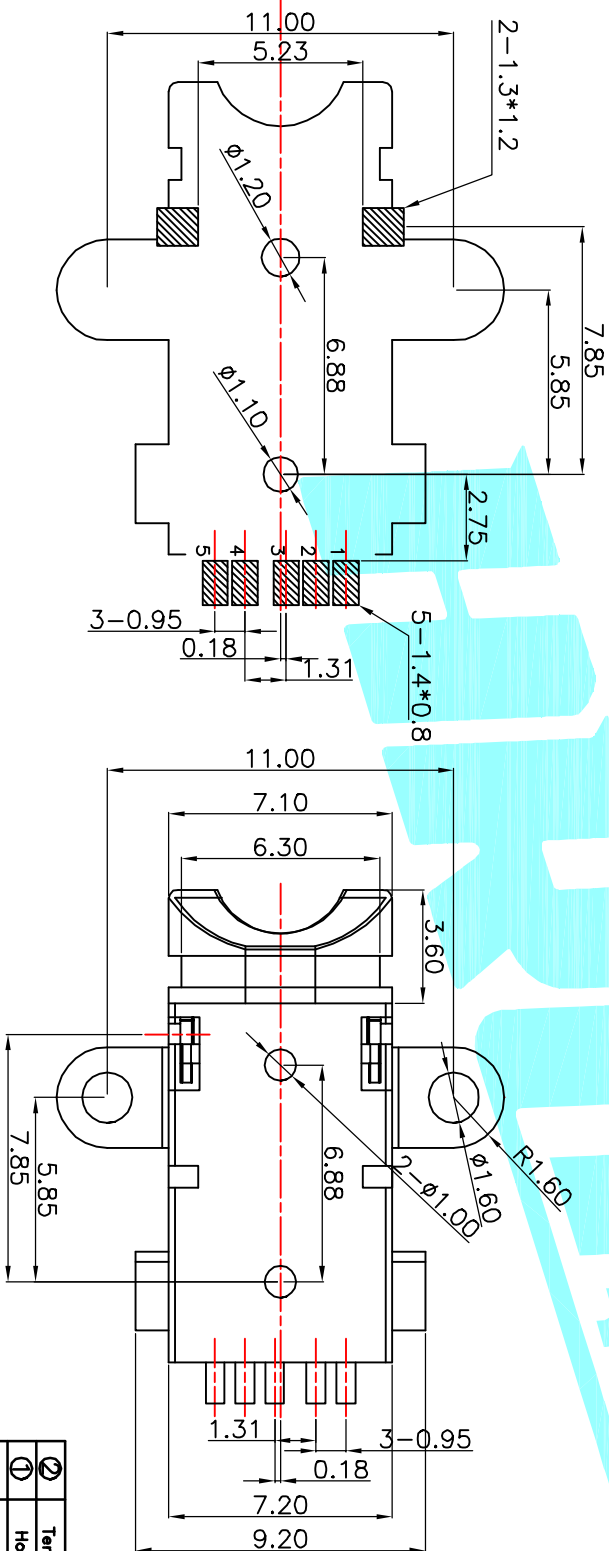


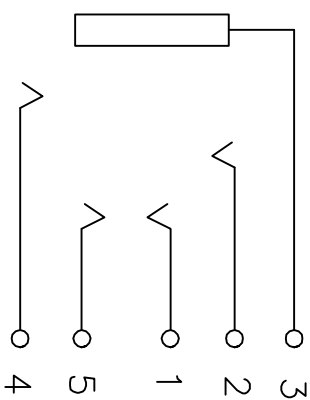
Water Resistance: IP-X7



Rating: 0.5A 30V DC
 Contact Resistance: 100 mΩ Max.
 Operating temperature: -20°C ~ 70°C
 Operating force: 3-20N
 Operating Life: 5,000 cycles



P.C.B. Layout



CIRCUIT DIAGRAM

ECN NO.	REV.	DATE.	DESCRIPTION.	CHANGE.	CHECK.	APPRO.																																																																														
	A		NEW																																																																																	
<table border="1"> <tr> <td>② Terminal</td> <td>5</td> <td>Phosphor bronze</td> <td>Au Plating</td> </tr> <tr> <td>① Housing</td> <td>1</td> <td>Nylon</td> <td>Black</td> </tr> <tr> <td>ITEM</td> <td>PART NAME</td> <td>TER'NO.</td> <td>QTY.</td> <td>MATERIAL</td> <td>FINISHING</td> <td>REMARK</td> </tr> <tr> <td colspan="7">APPROVALS</td> </tr> <tr> <td colspan="7">DRAWN xu qi feng 2014.11.26</td> </tr> <tr> <td colspan="7">CHECKED</td> </tr> <tr> <td colspan="7">APPROVALS</td> </tr> <tr> <td colspan="7">TOLERANCES ARE</td> </tr> <tr> <td>30^{+0.15}</td> <td>±0.30</td> <td>ANGLE</td> <td></td> <td>PART NO.</td> <td>PHONE JACKS</td> <td></td> </tr> <tr> <td>10^{+0.10}</td> <td>±0.20</td> <td></td> <td></td> <td>PJ-608</td> <td></td> <td></td> </tr> <tr> <td>5^{+0.10}</td> <td>±0.15</td> <td>±2'</td> <td>UNIT: mm</td> <td>SCALE: 1:1</td> <td>PROJ-4</td> <td></td> </tr> <tr> <td>~5</td> <td>±0.10</td> <td></td> <td>DRAWING NO.</td> <td></td> <td>SHEET 1 OF 1</td> <td></td> </tr> </table>							② Terminal	5	Phosphor bronze	Au Plating	① Housing	1	Nylon	Black	ITEM	PART NAME	TER'NO.	QTY.	MATERIAL	FINISHING	REMARK	APPROVALS							DRAWN xu qi feng 2014.11.26							CHECKED							APPROVALS							TOLERANCES ARE							30 ^{+0.15}	±0.30	ANGLE		PART NO.	PHONE JACKS		10 ^{+0.10}	±0.20			PJ-608			5 ^{+0.10}	±0.15	±2'	UNIT: mm	SCALE: 1:1	PROJ-4		~5	±0.10		DRAWING NO.		SHEET 1 OF 1	
② Terminal	5	Phosphor bronze	Au Plating																																																																																	
① Housing	1	Nylon	Black																																																																																	
ITEM	PART NAME	TER'NO.	QTY.	MATERIAL	FINISHING	REMARK																																																																														
APPROVALS																																																																																				
DRAWN xu qi feng 2014.11.26																																																																																				
CHECKED																																																																																				
APPROVALS																																																																																				
TOLERANCES ARE																																																																																				
30 ^{+0.15}	±0.30	ANGLE		PART NO.	PHONE JACKS																																																																															
10 ^{+0.10}	±0.20			PJ-608																																																																																
5 ^{+0.10}	±0.15	±2'	UNIT: mm	SCALE: 1:1	PROJ-4																																																																															
~5	±0.10		DRAWING NO.		SHEET 1 OF 1																																																																															
<p>HAPO ELECTRONICS CO.,LTD</p>																																																																																				