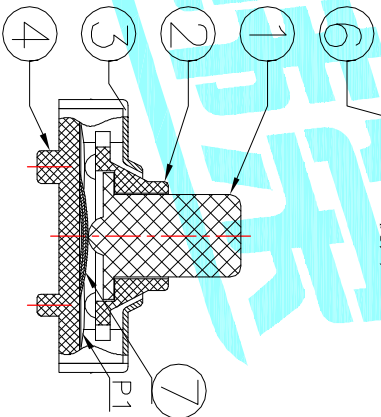
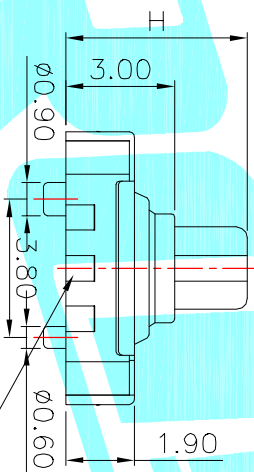
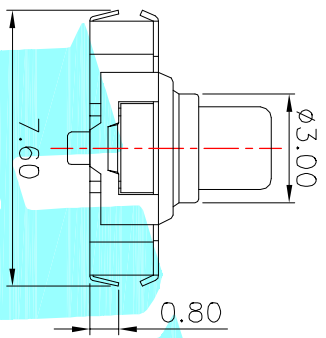
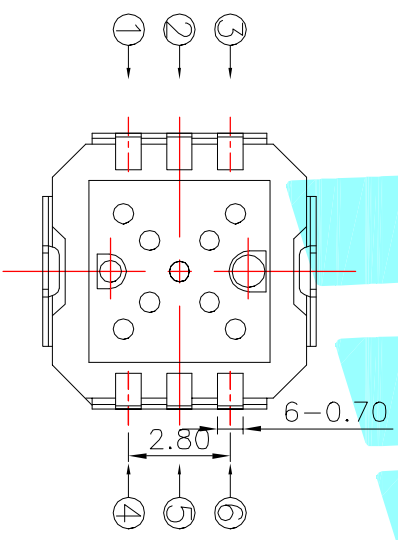


Circuit Diagram



PART NO.	H
K1-5202UA-01	5.0
K1-5202UA-02	6.0

NOTE:
 Operating Force:
 lever portion: 170 ± 35 gf
 Push portion: 250gf, 350gf, 450gf



PCB Layout(Pattern Side)

ITEM	PART NAME	TER'NO.	QTY.	MATERIAL	FINISHING	REMARK
⑦	Mylar	—	1	Natural	—	—
⑥	Contact 1	—	1	F.Ag/SUS	—	—
⑤	Terminal	—	6	Brass(0.15t)	Plating silver	—
④	Base	—	1	LCP	Black	—
③	Cover	—	1	SUS	—	—
②	Axle sleeve	—	1	LCP	Black	—
①	Keystroke	—	1	PA46	Black	—

APPROVALS	DATE
DRAWN J.X.Zhong	2013/7/23

CHECKED		TITLE:	
APPROVALS		MULTIFUNCTIONAL SWITCHES	
TOLERANCES ARE		PART NO.	K1-5202UA-□□
30~120	±0.30	SCALE:	1:1
10~30	±0.20	UNIT:	mm
5~10	±0.15	DRAWING NO.	—
~5	±0.10	SHEET	1 OF 1

ECN NO.	REV.	DATE.	DESCRIPTION.	CHANGE.	CHECK.	APPRO.
—	A	—	NEW	—	—	—



ELECTRONICS CO.,LTD