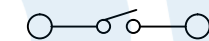
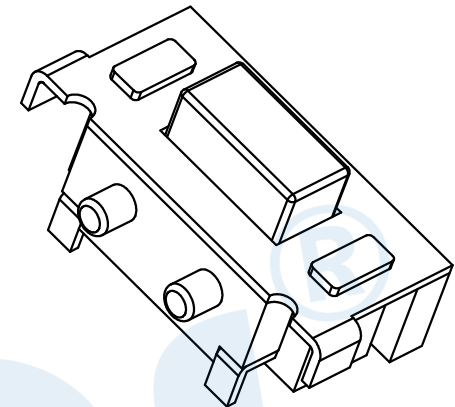
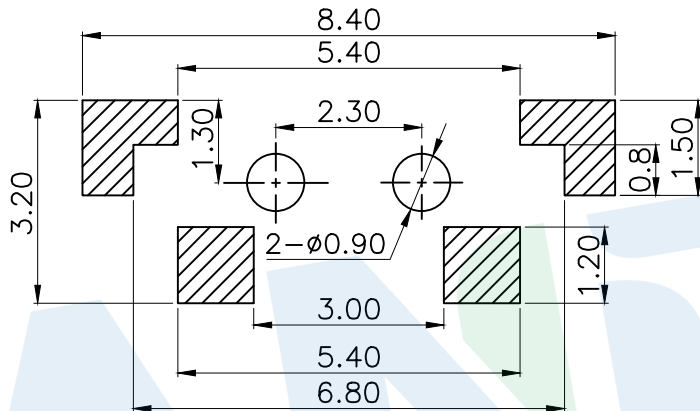
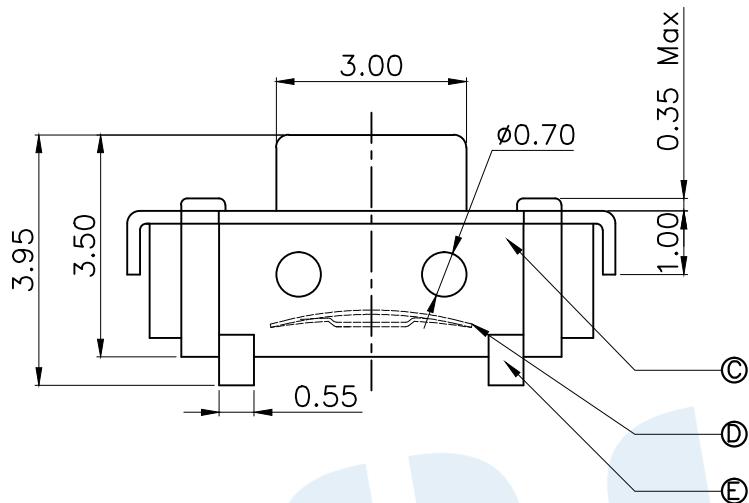
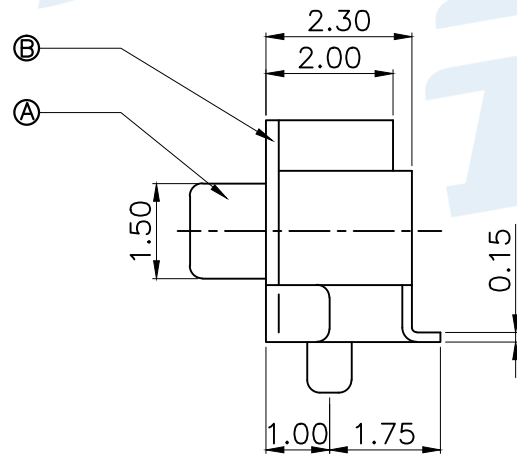
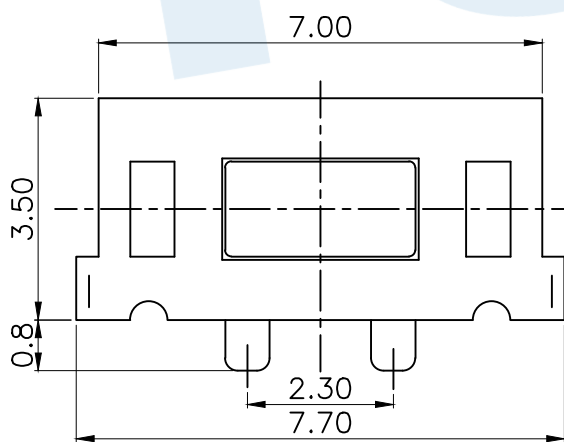


RoHS



Circuit Diagram

PCB Layout recommended



SHRAPNEL	
CODE	MATERIAL/QTY
D2	SUS/1PCS
D4	SUS/2PCS

OPERATING FORCE	
CODE	VIGOR
B2	180±30gf
B3	250±30gf

NO.	Name	Number	Qty	Material	Remarks
⑤	Terminal		2	Phosphor Bronze	Silvering
④	Contact		1	SUS	Silver covered
③	Base		1	Nylon	White
②	Cover		1	Brass	Nickel Plating
①	Knob		1	Nylon	Black

YUANDI® Yuandi Electronics Co., Ltd

design	date	name	TACT SWITCHS
Review	date		
Approved	date	name	TS-1087B-B□D□

angle	±2'	design	date	name	TACT SWITCHS
10~30	±0.30	Review	date		
5~10	±0.20	Approved	date	name	TS-1087B-B□D□
~ 5	±0.10	Drawing number:			

modify Review Approved Tolerance not specified Proportion 1:1 unit mm gage number A4