

DESCRIPTION:

High current density due to double mesa technology; SIPOS and Glass Passivation.

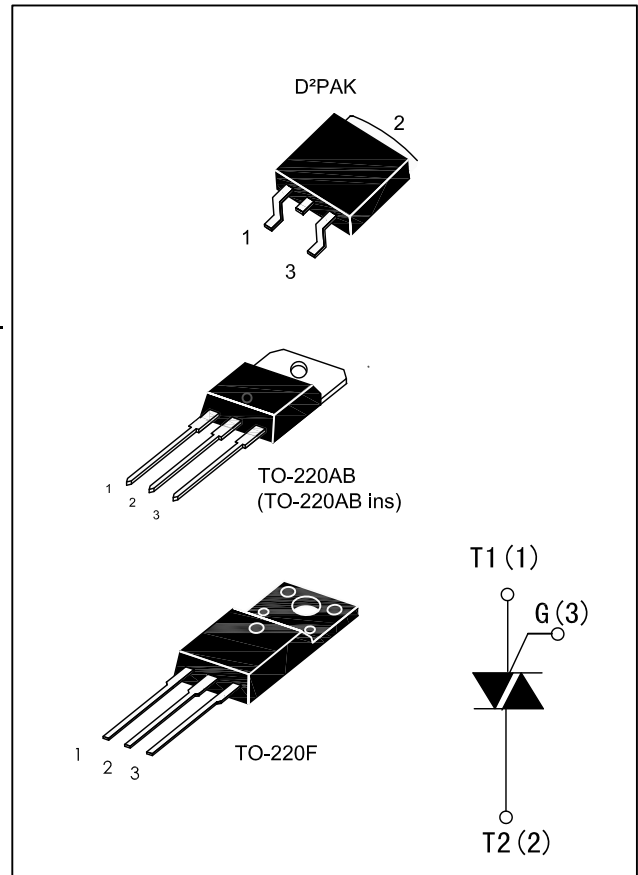
BTB16/BTB16 series triacs is suitable for general purpose AC switching. They can be used as an ON/OFF Function in applications such as static relays, heating regulation, induction motor starting circuits... or for phase control operation light dimmers, motorspeed controllers.

BTB16/BTB16- $\times\times\times$ SW, - $\times\times\times$ CW, - $\times\times\times$ BW are 3 Quadrants triacs, They are specially recommended for use on inductive loads.

TO-220ABins and TO-220F are isolated internally, they provides a 2500V RMS isolation voltage from all three terminals to external heatsink.

MAIN FEATURES

Symbol	Value	Unit
$I_{T(RMS)}$	16	A
V_{DRM}/V_{RRM}	600 and 800	V
V_{TM}	≤ 1.55	V



ABSOLUTE MAXIMUM RATINGS

Parameter	Symbol	Value	Unit
Storage junction temperature range	Tstg	-40 to +150	°C
Operating junction temperature range	Tj	-40 to +125	°C
Repetitive Peak Off-state Voltage	Tj=25°C	VDRM	600and800
Repetitive Peak Reverse Voltage	Tj=25°C	VRRM	600and800
Non repetitive Surge Peak Off-state Voltage	tp=10ms, Tj=25°C	VDSM	700and900
Non repetitive Peak Reverse Voltage		VRSM	700and900
RMS on-state current (full sine wave)	D²PAK/TO-220AB Tc=100°C	IT(RMS)	16
	TO-220F Tc=78°C		
	TO-220AB Ins Tc=85°C		
Non repetitive surge peak on-state current (full cycle, Tj=25°C)	f = 60 Hz t=16.7ms	ITSM	168
	f = 50 Hz t=20ms		160
I²t Value for fusing	tp=10ms	I²t	144
Critical rate of rise of on-state current IG=2×IGT, tr≤100 ns, f=120Hz, Tj=125°C		di / dt	50
Peak gate current	tp=20us, Tj=125°C	IGM	4
Average gate power dissipation	Tj=125°C	PG(AV)	1

ELECTRICAL CHARACTERISTICS(T_j=25°C unless otherwise specified)

● 3 Quadrants

Symbol	Test Condition	Quadrant		BTA16/BTB16			Unit
				SW	CW	BW	
I _{GT}	V _D =12V R _L =33Ω	I-II-III	MAX.	10	35	50	mA
V _{GT}		I-II-III	MAX.	1.3			V
V _{GD}	V _D =V _{DRM} R _L =3.3KΩ T _j =125°C	I-II-III	MIN.	0.2			V
I _L	I _G =1.2I _{GT}	I-III	MAX.	25	50	70	mA
		II	MAX.	30	60	80	mA
I _H	I _T =500mA		MAX.	15	35	50	mA
dV/dt	V _D =67%V _{DRM} gate open T _j =125°C		MIN.	40	500	1000	V/μs
(dI/dt) _c	(dV/dt) _c =0.1V/μs T _j =125°C		MIN.	8.5	---	---	A/mS
	(dV/dt) _c =10V/μs T _j =125°C			3.0	---	---	
	Without snubber T _j =125°C			---	8.5	14	

● 4 Quadrants

Symbol	Test Condition	Quadrant		BTA16/BTB16		Unit
				C	B	
I _{GT}	V _D =12V R _L =33Ω	I-II-III IV	MAX.	25 50	50 100	mA
V _{GT}		ALL	MAX.	1.3		V
V _{GD}	V _D =V _{DRM} R _L =3.3KΩ T _j =125°C	ALL	MIN.	0.2		V
I _L	I _G =1.2I _{GT}	I-III-IV	MAX.	40	60	mA
		II	MAX.	80	120	mA
I _H	I _T =500mA		MAX.	25	50	mA
dV/dt	V _D =67%V _{DRM} gate open T _j =125°C		MIN.	200	400	V/μs
(dV/dt) _c	(dI/dt) _c =7A/ms T _j =125°C		MIN.	5	10	V/μs

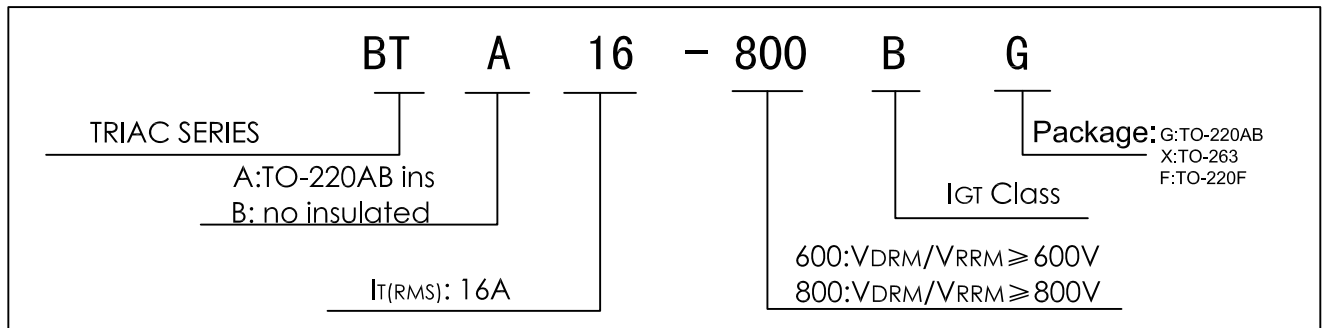
STATIC CHARACTERISTICS

Symbol	Parameter		Value(MAX.)	Unit
V _{TM}	I _{TM} =22.5A, t _p =380μs	T _j =25°C	1.55	V
I _{DRM} I _{RRM}	V _D =V _{DRM} V _R =V _{RRM}	T _j =25°C	5	μA
		T _j =125°C	2	mA

THERMAL RESISTANCES

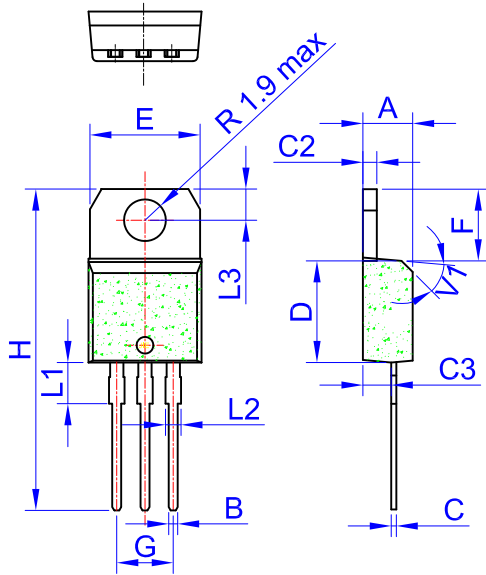
Symbol	Parameter		Value	Unit
R _{th} (J-C)	Junction to Case(AC)	D ² PAK/TO-220AB	1.2	°C/W
		TO-220AB INS /TO-220F	2.1	

ORDERING INFORMATION



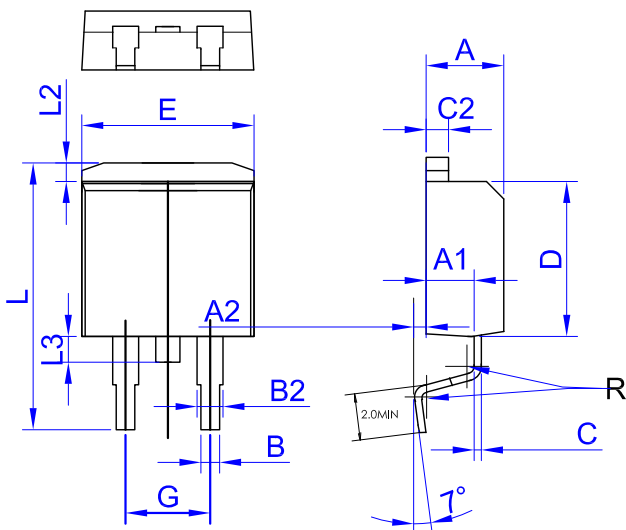
PACKAGE MECHANICAL DATA

TO-220AB



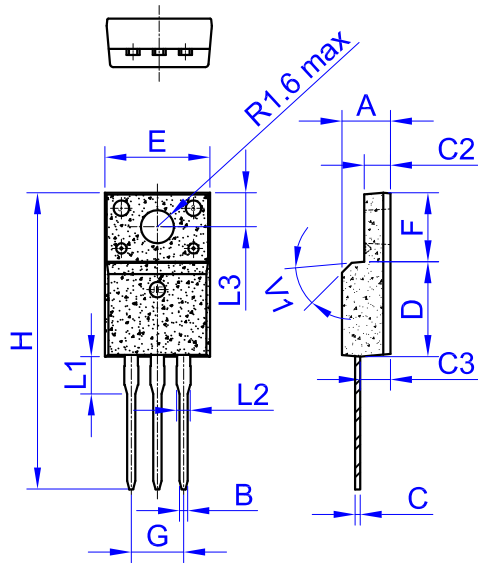
Ref.	Dimensions					
	Millimeters			Inches		
	Min.	Typ.	Max.	Min.	Typ.	Max.
A	4.4		4.6	0.173		1.181
B	0.61		0.88	0.024		0.034
C	0.46		0.70	0.018		0.027
C2	1.23		1.32	0.048		0.051
C3	2.4		2.72	0.094		0.107
D	8.6		9.7	0.338		0.382
E	9.8		10.4	0.386		0.409
F	6.2		6.6	0.244		0.259
G	4.8		5.4	0.189		0.213
H	28.0		29.8	11.0		11.7
L1		3.75			0.147	
L2	1.14		1.7	0.044		0.066
L3	2.65		2.95	0.104		0.116
V1		40°			40°	

D² PAK



Ref.	Dimensions					
	Millimeters			Inches		
	Min.	Typ.	Max.	Min.	Typ.	Max.
A	4.30		4.60	0.169		0.181
A1	2.49		2.69	0.098		0.106
A2	0.03		0.23	0.001		0.009
B	0.70		0.93	0.027		0.037
B2	1.25	1.40		0.048	0.055	
C	0.45		0.60	0.017		0.024
C2	1.21		1.36	0.047		0.054
D	8.95		9.35	0.352		0.368
E	10.0		10.28	0.393		0.405
G	4.88		5.28	0.192		0.208
L	15.0		15.85	0.590		0.624
L2	1.27		1.40	0.050		0.055
L3	1.40		1.75	0.055		0.069
R		0.40			0.016	

TO-220F



Ref.	Dimensions					
	Millimeters			Inches		
	Min.	Typ.	Max.	Min.	Typ.	Max.
A	4.4		4.8	0.173		0.189
B	0.74	0.8	0.83	0.029	0.031	0.033
C	0.5		0.75	0.020		0.030
C2	2.4		2.7	0.094		0.106
C3	2.6		3.0	0.102		0.118
D	8.8		9.3	0.346		0.367
E	9.7		10.3	0.382		0.406
F	6.4		6.8	0.252		0.268
G	5.0		5.2	0.197		0.205
H	28.0		29.8	11.0		11.7
L1		3.63			0.143	
L2	1.14		1.7	0.044		0.067
L3		3.3			0.130	
V1		40°			40°	

FIG.1: Maximum power dissipation versus RMS on-state current (full cycle)

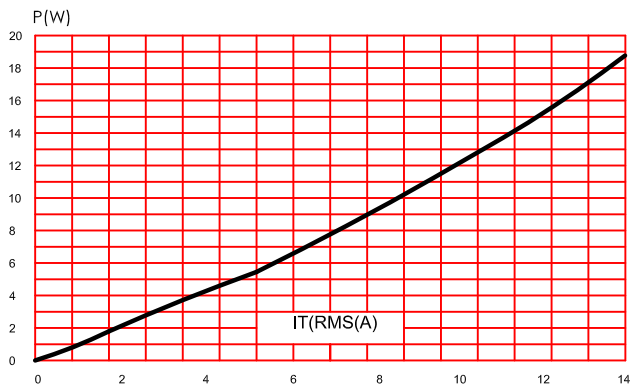


FIG.2: RMS on-state current versus case temperature (full cycle)

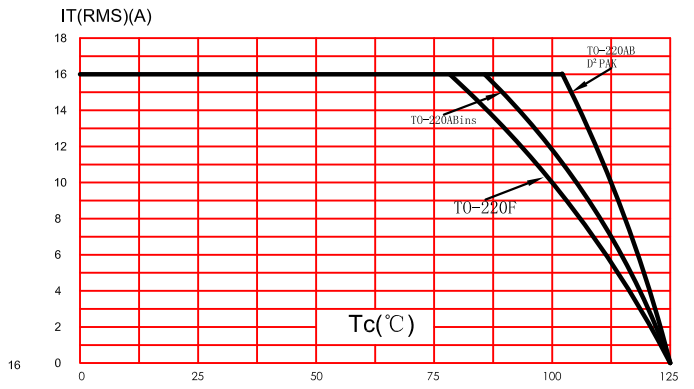


FIG.3: On-state characteristics (maximum values)

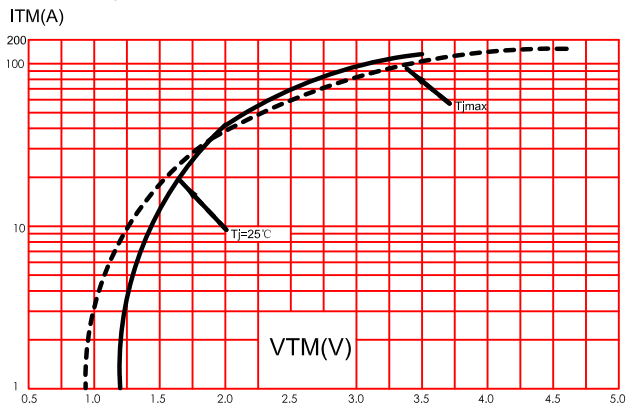


FIG.4: Surge peak on-state current versus number of cycles.

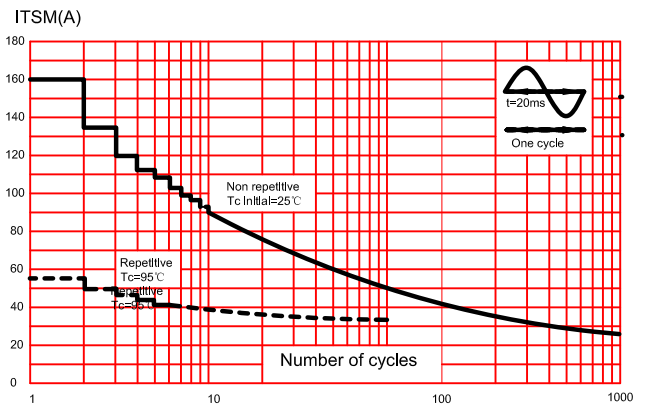


FIG.5: Non-repetitive surge peak on-state current for a sinusoidal pulse with width $t_p < 10\text{ms}$, and corresponding value of I^2t

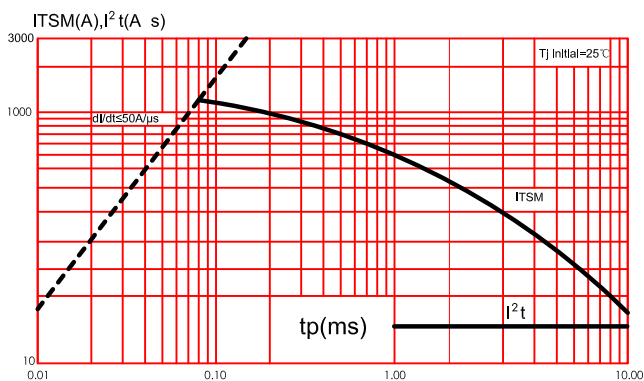


FIG.6: Relative variation of gate trigger current, holding current and latching current versus junction temperature (typical values).

