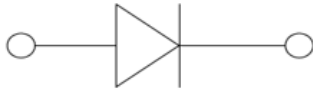


## Small Signal Schottky Rectifier



**SOD323**

### Features

- Epoxy meets UL-94 V-0 flammability rating and halogen free
- Moisture Sensitivity Level 1
- $V_R$  30V
- $I_{FAV}$  0.5A
- For Surface Mount Application and High Current Capability
- Part no. with suffix "Q" means AEC-Q101 qualified

### Mechanical Data

- **Case:** SOD323
- **Terminals:** Tin plated leads, solderable per J-STD-002 and JESD22-B102
- **Polarity:** Cathode line denotes the cathode end
- **Marking:** SE

### ■ Maximum Ratings (Ta=25°C Unless otherwise specified)

PARAMETER	SYMBOL	UNIT	CONDITIONS	VALUE
Maximum Recurrent Peak Reverse Voltage	$V_{RRM}$	V		30
DC Blocking Voltage	$V_R$	V		30
Average Forward Current	$I_{FAV}$	A		0.5
Peak Forward Surge Current	$I_{FSM}$	A	8.3ms, half sine	5
Power Dissipation	$P_{tot}$	mW		250
Thermal Resistance Junction to Ambient	$R_{thJA}$	°C/W		426
Junction Temperature	$T_j$	°C		-55 to +125
Storage Temperature Range	$T_{stg}$	°C		-55 to +150

### ■ Electrical Characteristics (Ta=25°C Unless otherwise specified)

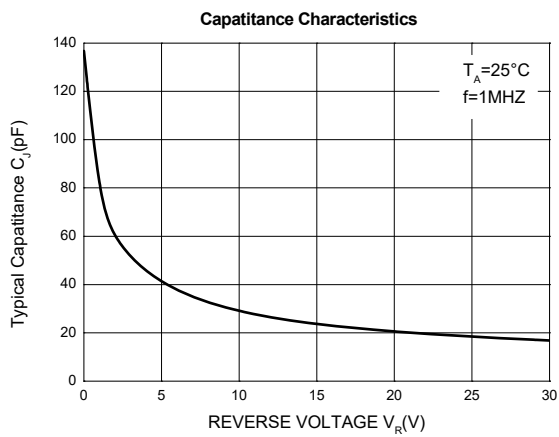
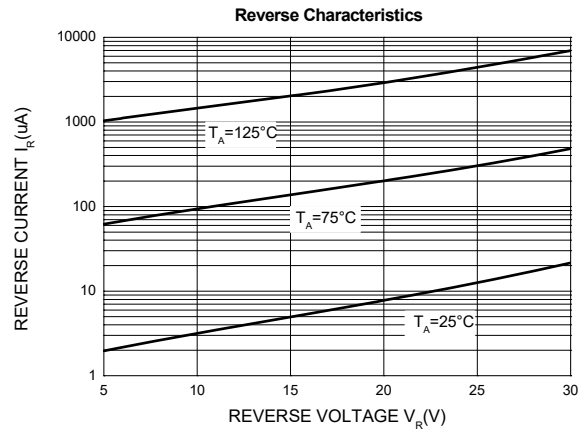
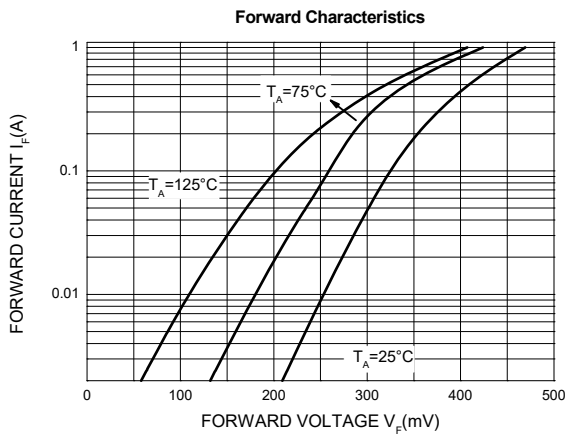
PARAMETER	SYMBOL	UNIT	CONDITIONS	MIN	TYP	MAX
Breakdown Voltage	$V_R$	V	$I_R=100\mu A$	30		
Forward Voltage	$V_F$	V	$I_F=0.5A$			0.55
Reverse Leakage Current	$I_R$	$\mu A$	$V_R=30V$			100
Typical Junction Capacitance	$C_J$	pF	$V_R=4V, f=1MHz$		40	

### ■ Ordering Information (Example)

PREFERRED P/N	PACKING CODE	UNIT WEIGHT(g)	MINIMUM PACKAGE(pcs)	INNER BOX QUANTITY(pcs)	OUTER CARTON QUANTITY(pcs)	DELIVERY MODE
B0530WSQ	F2	Approximate 0.0045	3000	30000	120000	7" reel



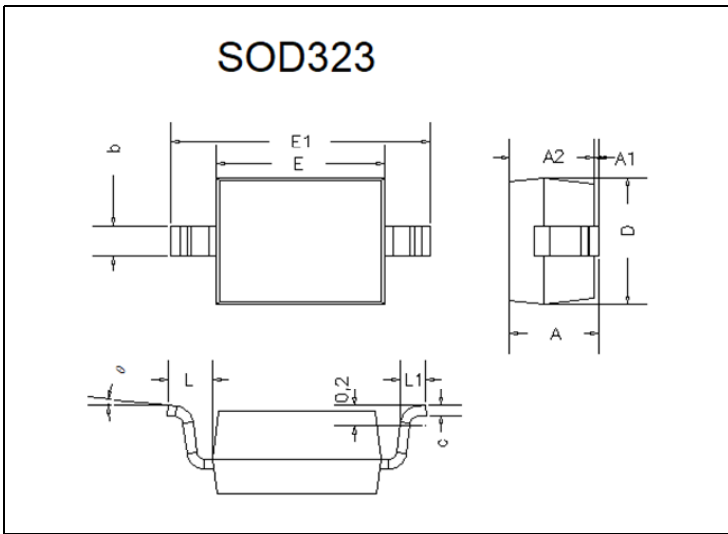
■ Characteristics(Typical)





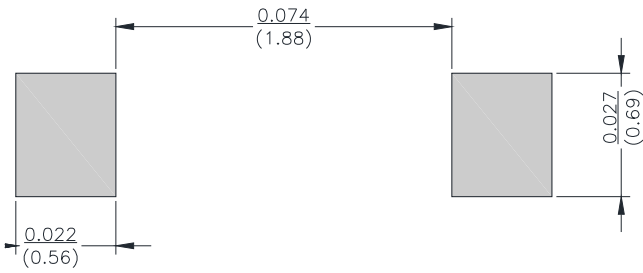
# B0530WSQ

## ■ Outline Dimensions



DIM	INCHES		MM		NOTE
	MIN	MAX	MIN	MAX	
A	-	0.039	-	1.00	
A1	0.000	0.004	0.00	0.10	
A2	0.031	0.035	0.80	0.90	
b	0.010	0.016	0.25	0.40	
c	0.003	0.007	0.08	0.17	
D	0.047	0.055	1.20	1.40	
E	0.063	0.071	1.60	1.80	
E1	0.098	0.106	2.50	2.70	
L	0.019REF		0.475REF		
L1	0.008	0.016	0.20	0.40	
θ	0°	8°	0°	8°	

## ■ Soldering Footprint



Unit:  $\frac{\text{inch}}{\text{mm}}$



## B0530WSQ

---

### Disclaimer

The information presented in this document is for reference only. Yangzhou Yangjie Electronic Technology Co., Ltd. reserves the right to make changes without notice for the specification of the products displayed herein to improve reliability, function or design or otherwise.

The product listed herein is designed to be used with automotive electronics, are not designed for use in medical, life-saving, life-sustaining, or military, Yangjie or anyone on its behalf, assumes no responsibility or liability for any damages resulting from such improper use of sale.

This publication supersedes & replaces all information previously supplied. For additional information, please visit our website [http:// www.21yangjie.com](http://www.21yangjie.com) , or consult your nearest Yangjie's sales office for further assistance.