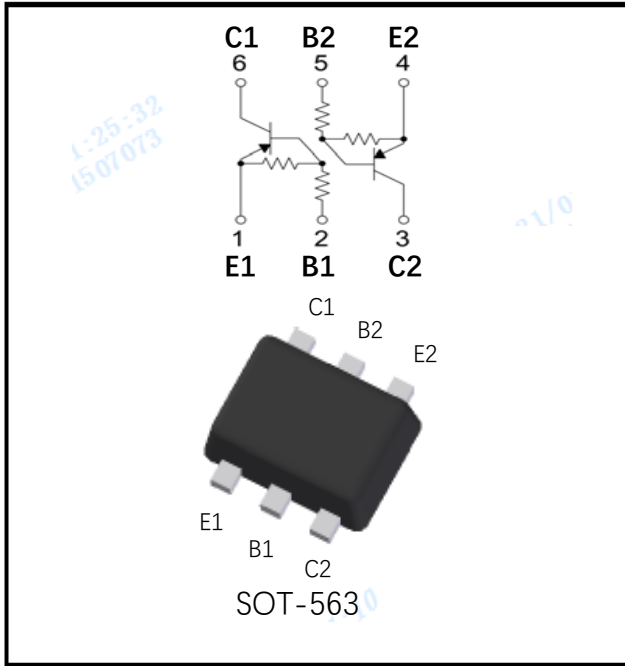


Dual PNP Digital Transistors (Built-in Resistors)



Features

- Epoxy meets UL-94 V-0 flammability rating
- Surface mount package ideally Suited for Automatic Insertion
- PNP+PNP

Mechanical Data

- **Package:** SOT-563
- **Terminals:** Tin plated leads, solderable per J-STD-002 and JESD22-B102
- **Marking:** B9
- **Solid point:** E1 positioning point

■Maximum Ratings (Ta=25°C Unless otherwise specified)

Item	Symbol	Unit	Conditions	Value
Supply Voltage	VCC	V		-50
Input Voltage	VIN	V		-40 to +6
Output Current	IO	mA		-100
Power Dissipation	PD	mW		150
Junction Temperature	Tj	°C		150
Storage Temperature	TSTG	°C		-55 to +150



EMB9

■ Electrical Characteristics (Ta=25°C unless otherwise specified)

Item	Symbol	Unit	Conditions	Min	TYP	Max
Input voltage	VI(off)	V	VCC=-5V, Ic=-100uA	-0.3		
	VI(on)	V	VO=-0.3V, Ic=-1mA			-1.4
Output voltage	Vo(on)	V	I _o / I _i = -5mA / -0.25 mA			-0.3
Input current	I _I	mA	VI=-5V			-0.88
Output current	IO(off)	uA	VCC=-50V, Vi=0			-0.5
DC current gain	GI		Vo=-5V, I _o = -5mA	68		
Input resistance	R1	kΩ		7	10	13
Resistance ratio	R2/R1			3.7	4.7	5.7
Transition frequency	fT	MHz	VCE=-10V, IE=-5mA, f=100MHz		250	

■ Ordering Information (Example)

Preferred P/N	Packing Code	Unit Weight(G)	Minimum Package(Pcs)	Inner Box Quantity(Pcs)	Outer Carton Quantity(Pcs)	Delivery Mode
EMB9	F2	Approximate 0.0035	3000	30000	120000	7" reel



■ Characteristics (Typical)

Fig. 1 - DC Current Gain Characteristics

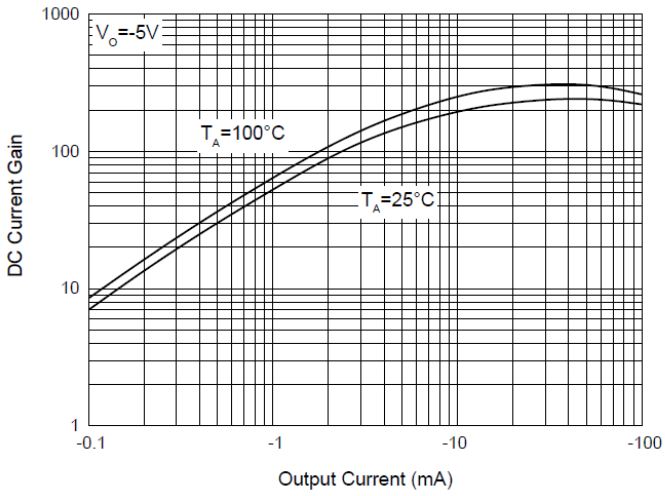


Fig. 2 - Input Voltage (on) Characteristics

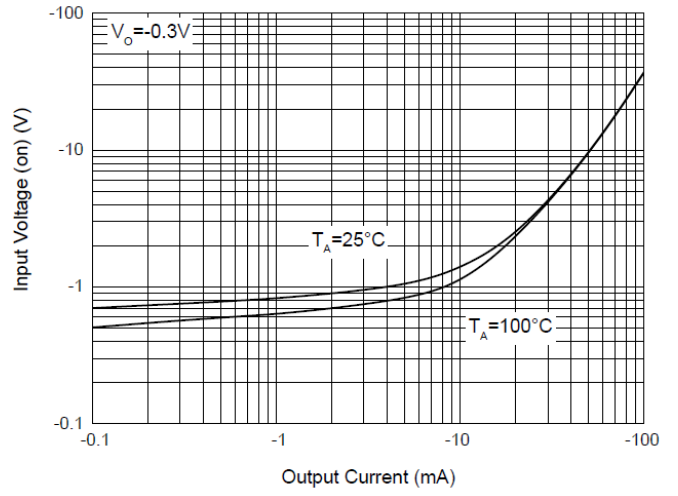


Fig. 3 - Input Voltage (off) Characteristics

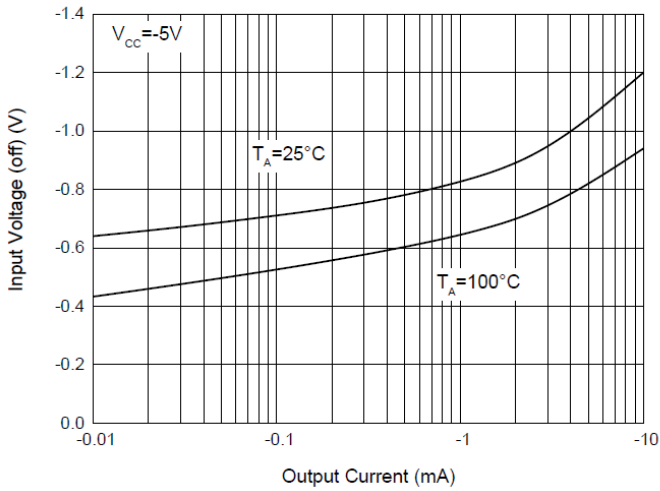
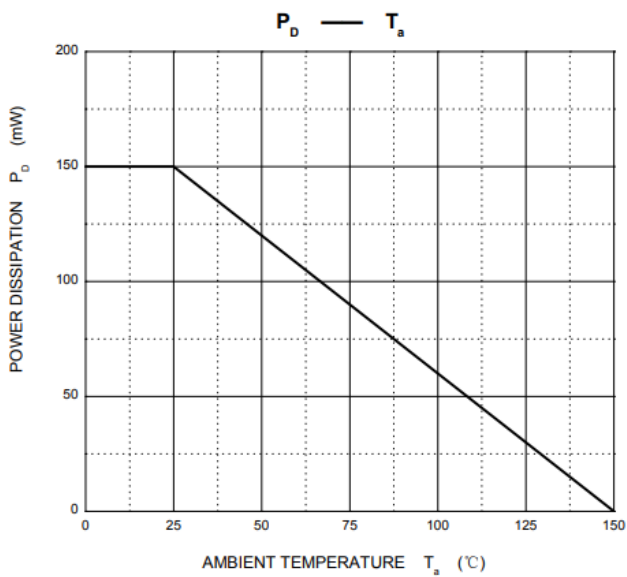
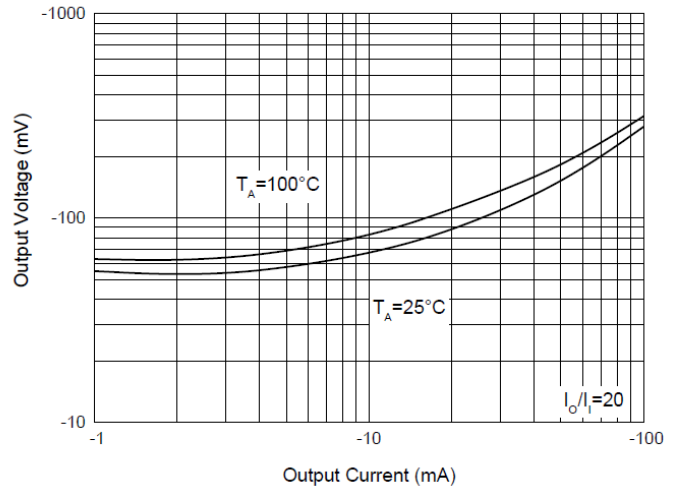
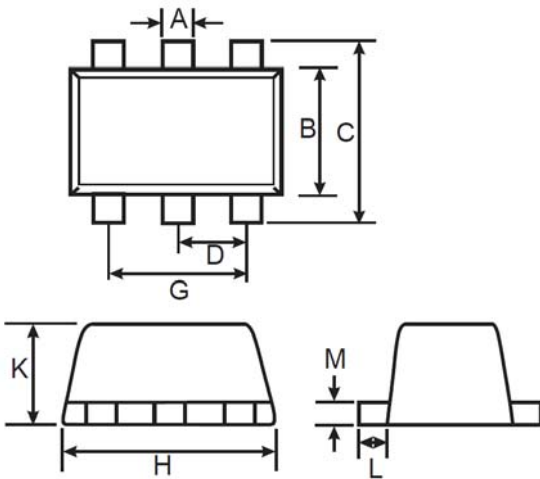


Fig. 4 - Output Voltage Characteristics

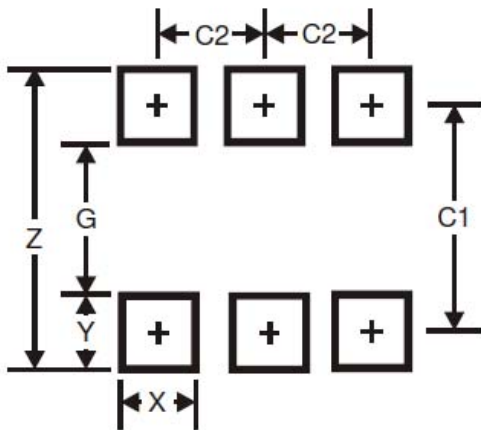


■ SOT-563 Package Outline Dimensions



DIMENSIONS				
DIM	INCHES		MM	
	MIN	MAX	MIN	MAX
A	0.006	0.011	0.15	0.30
B	0.043	0.051	1.10	1.30
C	0.059	0.067	1.50	1.70
D	0.016	0.024	0.40	0.60
G	0.035	0.043	0.90	1.10
H	0.059	0.067	1.50	1.70
K	0.021	0.026	0.55	0.65
L	0.004	0.011	0.10	0.30
M	0.004	0.007	0.10	0.18

■ SOT-563 Suggested Pad Layout



Dimensions	Value (in mm)
Z	2.2
G	1.2
X	0.375
Y	0.5
C1	1.7
C2	0.5



EMB9

Disclaimer

The information presented in this document is for reference only. Yangzhou Yangjie Electronic Technology Co., Ltd. reserves the right to make changes without notice for the specification of the products displayed herein to improve reliability, function or design or otherwise.

The product listed herein is designed to be used with ordinary electronic equipment or devices, and not designed to be used with equipment or devices which require high level of reliability and the malfunction of which would directly endanger human life (such as medical instruments, transportation equipment, aerospace machinery, nuclear-reactor controllers, fuel controllers and other safety devices), Yangjie or anyone on its behalf, assumes no responsibility or liability for any damages resulting from such improper use of sale.

This publication supersedes & replaces all information previously supplied. For additional information, please visit our website [http:// www.21yangjie.com](http://www.21yangjie.com) , or consult your nearest Yangjie's sales office for further assistance.