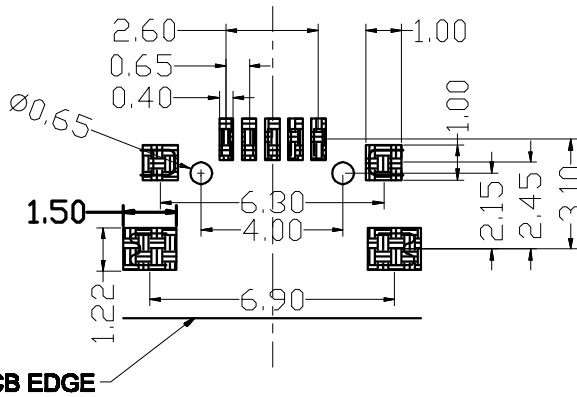
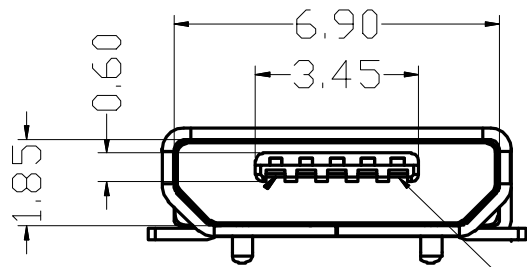
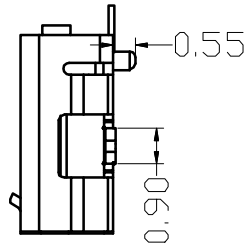
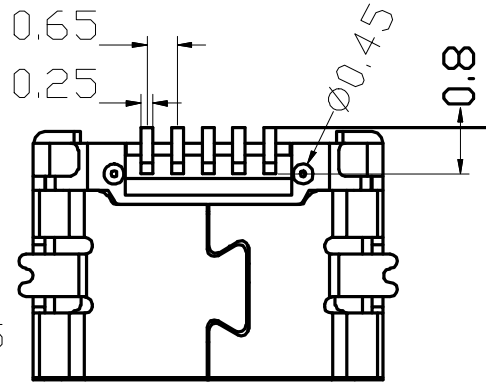
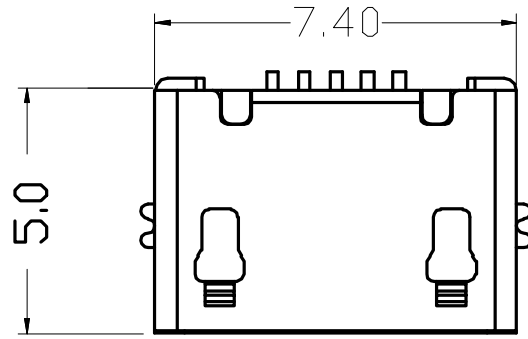




REV.	ECN NO OR DESCRIPTION	REVISED	DATE



NOTES:

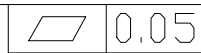
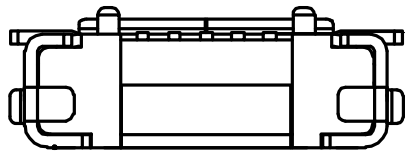
- MATERIAL:
  - HOUSING: THERMOPLASTIC FLAMMABILITY RATING UL94-0
  - CONTACT: COPPERY ALLOY T=0.15MM
  - SHELL: COPPERY ALLOY T=0.25MM
- FINISH:
  - CONTACT:
    - 3U" MIN, PLATED ON CONTACT AREA
    - G/F PLATING ON SOLDER TAIL AREA
    - 50~80U" NICKEL UNDERPLATING OVERALL
  - SHELL:
    - 80~120U" MATTER TIN PLAIN ALL
    - 50~80U" NICKEL UNDERPLATING OVERALL
- SPECIFICATION:
  - CURRENT RATING: 0.5A(2.3.4CONTACT)/1.8A (1.5CONTACT) MAX.
  - VOLTAGE: 30 VAC
  - TEMPERATURE RANGE: -30°C~85°C
  - CONTACT RESISTANCE: 30 MILLIONHM MAX.
  - DIELECTRIC WITHSTANDING VOLTAGE: 250VAC R.M.S
  - INSULATION RESISTNACE: 100 MEGOHMS MIN

PIN1

PIN5

PCB EDGE

RECOMMENDED PCB LAYOUT  
TOLERANCE: ±0.05



UNLESS OTHERWISE SPECIFIED TOLERANCES

DECIMALS:	ANGLES:
X : ±0.35	X : ±2°
X.X : ±0.25	X.X : ±1°
X.XX : ±0.15	



东莞市汉博电子科技有限公司  
DONGGUAN HANBO TECHNOLOGY CO., LTD

TITLE	MICRO USB 全贴片长5.0无卷边			
DWN	xiong	PART NO.	MC-602-AWT	
CHKD	lee	SCALE: 1:1	UNIT: mm	
APVD	wang	SIZE: A4	SHEET: 1 OF 1	REV: A4

CUSTOMER COPY