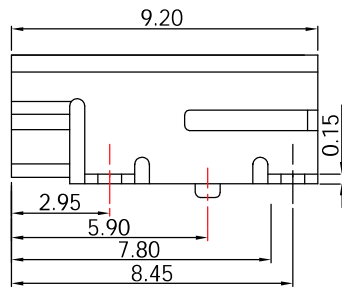
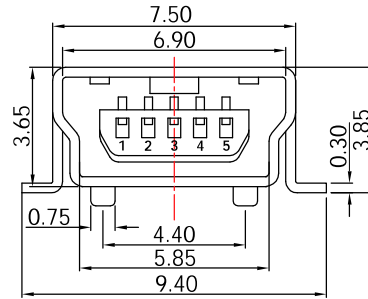
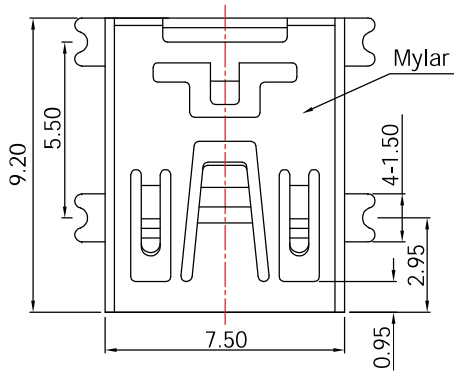




5	6		
REV.	ECN NO OR DESCRIPTION	REVISED	DATE



引脚定义/Pin Definition

PIN	Signal Name	Describe
1	VBUS	+5V
2	D-	Neegative Data Channel
3	D+	Positive Data Channel
4	ID	OTG
5	GND	Ground

备注:

电气性能:

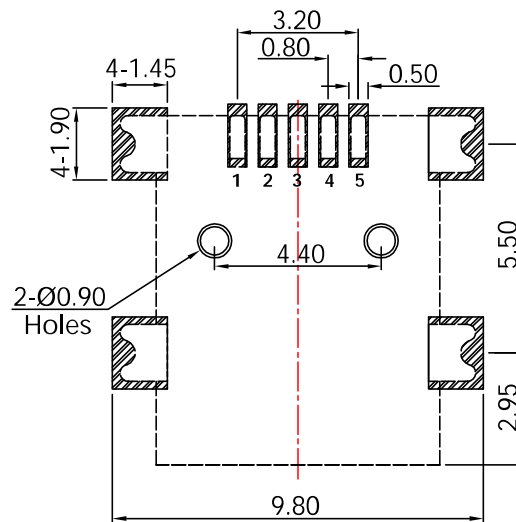
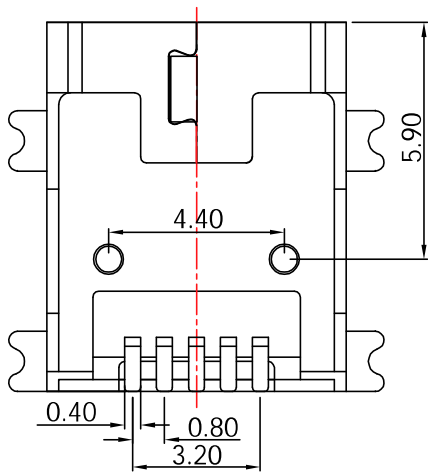
- 接触阻抗: 50 毫欧 (最大)
- 绝缘阻抗: 100 兆欧 (最小)
- 耐高压: 100V AC 一分钟

材料:

- 胶芯: LCP/PBT
- 端子: 磷铜C5191
- 外壳: SPCC/C2680

电镀:

- 端子:
 - 接触区域镀金
 - 焊接区镀亮锡40u"min
- 外壳:
 - 全区域镀镍40u"min



P.C.B LAYOUT(copper-side view)

UNLESS OTHERWISE SPECIFED TOLERANCES

DECIMALS:	ANGLES:
X :±0.5	X :±2°
X.X :±0.20	X.X :±1°
X.XX :±0.10	



东莞市汉博电子科技有限公司
DONGGUAN HANBO TECHNOLOGY CO., LTD

TITLE	MINI-USB-CONNECTORS			
DWN	xiong	PART NO. MINI-501		
CHKD	lee	SCALE: 1:1	UNIT: mm	
APVD	wang	SIZE: A4	SHEET: 10F 1	REV: A4
CUSTOMER COPY				