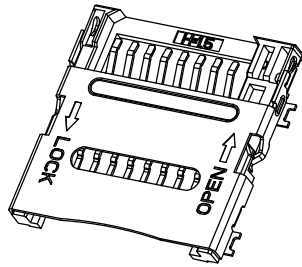
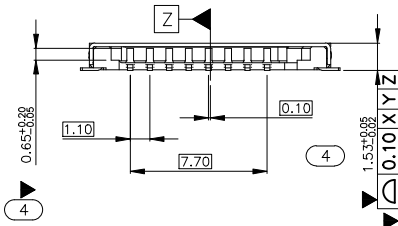
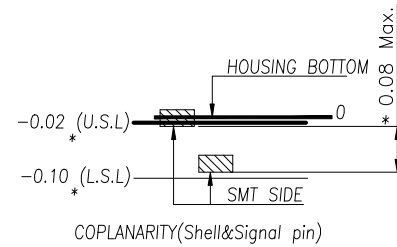
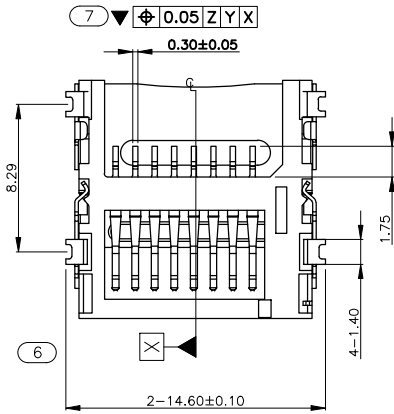
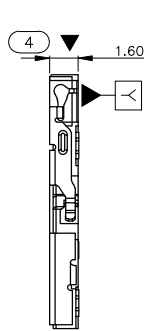
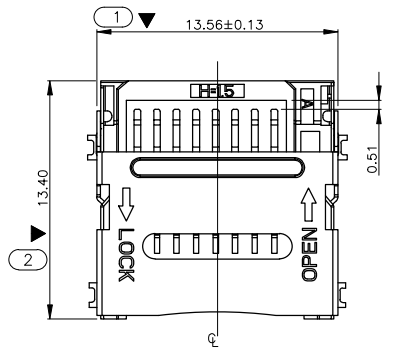
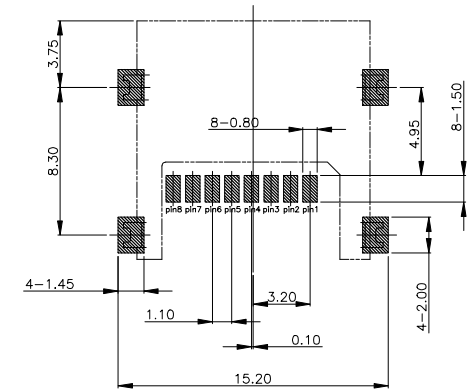




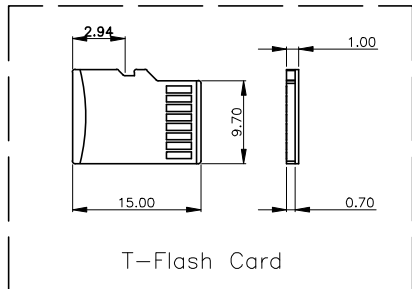
REV.	ECN NO OR DESCRIPTION	REVISED	DATE



PIN NO.	NAME	YTYPE	DESCRIPTION
1	DAT2	I/O/PP	DATE LINE(BIT2)
2	CD/DAT3	I/O/PP	CARD DETECT DATE LIN(BIT3)
3	CMD	PP	COMMAND RESPONSE
4	VDD	S	SUPPLY VOLTAGE
5	CLX	I	CLOCK
6	VSS	S	SUPPLY VOLTAGE GROUND
7	DAT0	I/O/PP	DATE LINE(BIT0)
8	DAT1	I/O/PP	DATE LINE(BIT1)



RECOMMENDED PCB LAYOUT
GENERAL TOLERANCE ±0.05



NOTE:
 1.FINISH:
 1-1.CONTACT: AU 1U" PLATING ON CONTACT AREA,
 100~200U" SN PLATING ON SOLDER TAILS,
 50U" NICKEL UNDERPLATING VOER ALL;
 1-2.SHELL: NO PLATING;
 2.PRODUCT SPECIFICATIONS:
 2-1.VOLTAGE RATING: 100V
 2-2.CURRENT RATING: 0.5A
 2-3.INSULATION RESISTANCE: 1000 MEG.OHM MIN
 2-4.CONTACT RESISTANCE: 100 MILL.OHM MAX
 2-5.OPERATION TEMPERATURE: -20° TO +85°

UNLESS OTHERWISE
SPECIFED TOLERANCES

DECIMALS:	ANGLES:
X :±0.5	X :±2°
X.X :±0.20	X.X :±1°
X.XX :±0.10	



东莞市汉博电子科技有限公司
DONGGUAN HANBO TECHNOLOGY CO., LTD

TITLE	Micro sd card hinged H1.6		
DWN	xiong	TF-014-H16	
CHKD	lee	SCALE:1:1	UNIT: mm
APVD	wang	SIZE: A4	SHEET:10F 1
REV: A4			
CUSTOMER COPY			