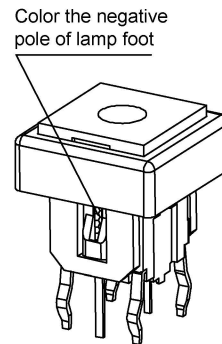
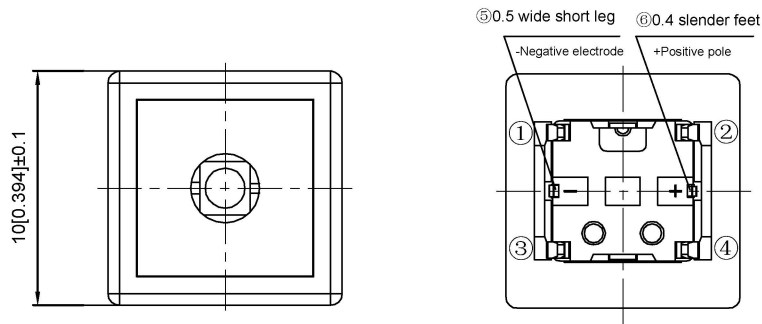


Led Color	Part No	VR	IF	Recommended Operating	IF	
					Nom	Max
White	TM-001-D4-01	DC5V	20mA	20mA	3.0V	3.6V
Red	TM-001-D4-02	DC5V	20mA	20mA	1.7V	2.4V
Blue	TM-001-D4-03	DC5V	20mA	20mA	3.0V	3.6V
Green	TM-001-D4-04	DC5V	20mA	20mA	1.9V	2.4V
Yellow	TM-001-D4-05	DC5V	20mA	20mA	1.9V	2.4V



ITEM	PAPT NAMF	TER,NO	QTY	MATERIAL	FINISHING	REMARK
⑦	LED		1			
⑥	Hat		1	ABS		
⑤	Terminal	—	4	Brass (0.30t)	ag Plated	—
④	Contact	—	1	F.ag/SUS		—
③	Base	—	1	PA66		—
①	Cover	—	1	PA66		—
①	Keystake	—	1	PA66		—

广东星坤科技股份有限公司

生教 日期

文件工程章

REVISIONS

www.xk-ug.cn www.helloxkb.com www.helloxkb.cn

units:	mm
tolerance:	
X.X	±0.2mm
X.XX	±0.1mm
X.XXX	±0.05mm
UNSPECIFIED TOLERANCES	

DSND	DATE	SCALE: N/A	MODEL TYPE: LED SWITCH
DWN	DATE	VIEW:	PART NO.:
CHKD	DATE	UNIT: mm/in	DWG NO.:
APPD	DATE	SIZE: A4	TM-001-D4-X
XKB INDUSTRIAL PRECISION CO.,LIMITED			WEIGHT 1.0g
			SHEET 1/1
			REVISION A0