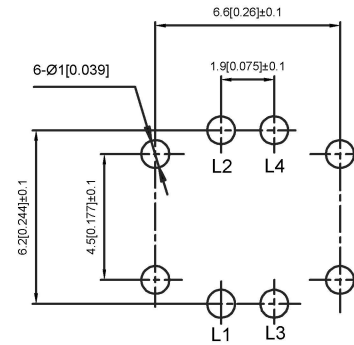
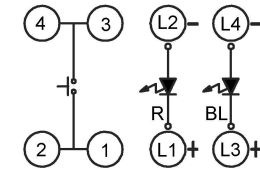


PCB hole bitmap



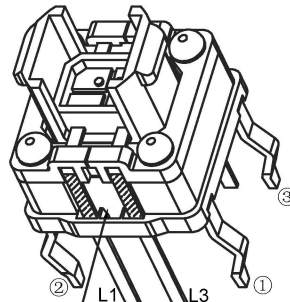
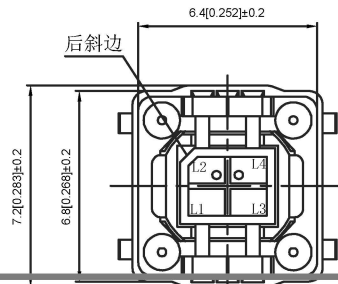
Power supply diagram



Specifications:

技术指示:
 Climate Grade: -25°C~+75°C
 气候等级: -25°C~+75°C
 Rated Values: 30V DC, 30mA
 额定值: 30V DC, 30mA
 Contact Resistance: ≤0.03Ω
 接触电阻: ≤0.03Ω
 Dielectric Strength: 250V AC
 耐电压: 250V AC

Insulation Resistance: ≥100MΩ
 绝缘电阻: ≥100MΩ
 Operating Force: 260gf±50gf
 动作力: 260gf±50gf
 Life: 10W times
 寿命: 10W times
 Salt mist Test: 12±1 hours
 盐雾试验: 12±1 hours



涂色为负极
 The color is negative

6	LED		1		transparent
5	lid	—	1	PA66	black
4	Button	—	1	PA66	Porcelain white
3	Shrapnel	—	1	Compound silver	Ag
2	Base	—	1	PA66	black
1	Card	—	1	H62	Ag
ITEM	PAPT NAMF	TER,NO	QTY	MATERIAL	Plating / color

广东星坤科技股份有限公司

生	日期
效	
文件	工程
章	
MARK	DESCRIPTION
	REVISIONS

DSND	DATE	SCALE: N/A	MODEL TYPE: LED SWITCH
DWN	DATE	VIEW:	PART NO.:
CHKD	DATE	UNIT: mm/in	DWG NO.: TM-010-M1-RBL
APPD	DATE	SIZE: A4	WEIGHT: 1.0g
XKB INDUSTRIAL PRECISION CO., LIMITED			SHEET 1/1
UNSPECIFIED TOLERANCES			REVISION A0