

YTY UNiCORE

Memory Module Data Sheet

DDR4-3200(CL22) 260-Pin

SO-DIMM 16GB

**Based on 8Gb UniCORE Die
(2048M x 64-bit)**

Version 1-0

Revision History

Version	Changes	Page	Date
V1-0	Formal release	-	2022/07/07

Table of Contents

1. General Description	4
2. Features	4
3. Pin Assignment.....	5
4. Pin Description	6
5. Block Diagram.....	7
6. Absolute Maximum Ratings.....	8
7. DC Operating Condition.....	8
8. Input DC & AC Logic Level for single-ended signals.....	9
9. Input AC &DC Logic Level for Differential signals.....	9
10. IDD Specification.....	10
11. Timings used for IDD, IPP and IDDQ Measurement.....	11
12. Timing Parameters.....	12~19
13. Package Dimensions.....	20

General Description :

GD4SO32N16D4U000 is DDR4-3200(CL22)-22-22 SDRAM memory module. The SPD is programmed to JEDEC standard latency 3200Mbps timing of 22-22-22 at 1.2V. The module is composed of 8Gb CMOS DDR4 SDRAMs in FBGA package and one 4Kbit EEPROM in 8pin TDFN package on a 260pin glass–epoxy printed circuit board.

The module is a Dual In-line Memory Module and intended for mounting onto 260 pins edge connector sockets. Synchronous design allows precise cycle control with the use of system clock. Data I/O transactions are possible on both edges of DQS. Range of operating frequencies, programmable latencies and burst lengths allow the same device to be useful for a variety of high bandwidth, high performance memory system applications.

Features :

- Power supply (Normal)
 - VDD & VDDQ = 1.2V +5% / -5%
 - VPP = 2.5V +10% / -5%
 - VDDSPD = 2.5V (2.25V to 3.6V)
- Burst Length (BL):8 and 4 with Burst Chop(BC)
- Bi-directional, differential data strobe (DQS and /DQS)
- Differential clock input operation
- DLL aligns DQ and DQS transition with CK transition
- Double-data-rate architecture; two data transfers per clock cycle
- 16 internal banks; 4 groups of 4 banks each
- Internal self calibration through ZQ pin (RZQ:240 ohm±1%)
- Low-power auto refresh (LPASR)
- Tc of 0°C to 95°C
 - 64ms, 8192-cycle refresh at 0°C to 85°C
 - 32ms, 8192-cycle refresh at 85°C to 95°C
- 8-bit pre-fetch architecture
- Nominal and dynamic on-die termination (ODT) for data, strobe, and mask signals.
- Data bus inversion for data bus(DBI)
- Data bus Write CRC
- Lead-free and Halogen-free products are RoHS Compliant

Pin Assignment :

Pin	Front	Pin	Front	Pin	Front	Pin	Back	Pin	Back	Pin	Back
1	VSS	2	VSS	89	VSS	90	VSS	175	VSS	176	VSS
3	DQ5	4	DQ4	91	CB1, NC	92	CB0, NC	177	DQS4_c	178	DM4_n/D BI4_n, NC
5	VSS	6	VSS	93	VSS	94	VSS	179	DQS4_t	180	VSS
7	DQ1	8	DQ0	95	DQS8_c	96	DM8_n/D BI8_n, NC	181	VSS	182	DQ39
9	VSS	10	VSS	97	DQS8_t	98	VSS	183	DQ38	184	VSS
11	DQS0_c	12	DM0_n/D BI0_n, NC	99	VSS	100	CB6, NC	185	VSS	186	DQ35
13	DQS0_t	14	VSS	101	CB2, NC	102	VSS	187	DQ34	188	VSS
15	VSS	16	DQ6	103	VSS	104	CB7, NC	189	VSS	190	DQ45
17	DQ7	18	VSS	105	CB3, NC	106	VSS	191	DQ44	192	VSS
19	VSS	20	DQ2	107	VSS	108	RESET_n	193	VSS	194	DQ41
21	DQ3	22	VSS	109	CKE0	110	CKE1	195	DQ40	196	VSS
23	VSS	24	DQ12	111	VDD	112	VDD	197	VSS	198	DQS5_c
25	DQ13	26	VSS	113	BG1	114	ACT_n	199	DM5_n/D BI5_n, NC	200	DQS5_t
27	VSS	28	DQ8	115	BG0	116	ALERT_n	201	VSS	202	VSS
29	DQ9	30	VSS	117	VDD	118	VDD	203	DQ46	204	DQ47
31	VSS	32	DQS1_c	119	A12	120	A11	205	VSS	206	VSS
33	DM1_n/ DBI1_n, NC	34	DQS1_t	121	A9	122	A7	207	DQ42	208	DQ43
35	VSS	36	VSS	123	VDD	124	VDD	209	VSS	210	VSS
37	DQ15	38	DQ14	125	A8	126	A5	211	DQ52	212	DQ53
39	VSS	40	VSS	127	A6	128	A4	213	VSS	214	VSS
41	DQ10	42	DQ11	129	VDD	130	VDD	215	DQ49	216	DQ48
43	VSS	44	VSS	131	A3	132	A2	217	VSS	218	VSS
45	DQ21	46	DQ20	133	A1	134	EVENT_n	219	DQS6_c	220	DM6_n/D BI6_n, NC
47	VSS	48	VSS	135	VDD	136	VDD	221	DQS6_t	222	VSS
49	DQ17	50	DQ16	137	CK0_t	138	CK1_t	223	VSS	224	DQ54
51	VSS	52	VSS	139	CK0_c	140	CK1_c	225	DQ55	226	VSS
53	DQS2_c	54	DM2_n/D BI2_n, NC	141	VDD	142	VDD	227	VSS	228	DQ50
55	DQS2_t	56	VSS	143	PARITY	144	A0	229	DQ51	230	VSS
57	VSS	58	DQ22	KEY		KEY		231	VSS	232	DQ60
59	DQ23	60	VSS	145	BA1	146	A10/AP	233	DQ61	234	VSS
61	VSS	62	DQ18	147	VDD	148	VDD	235	VSS	236	DQ57
63	DQ19	64	VSS	149	CS0_n	150	BA0	237	DQ56	238	VSS
65	VSS	66	DQ28	151	A14/WE_n	152	A16/RAS_n	239	VSS	240	DQS7_c
67	DQ29	68	VSS	153	VDD	154	VDD	241	DM7_n/D BI7_n, NC	242	DQS7_t
69	VSS	70	DQ24	155	ODT0	156	A15/CAS_n	243	VSS	244	VSS
71	DQ25	72	VSS	157	CS1_n	158	A13	245	DQ62	246	DQ63
73	VSS	74	DQS3_c	159	VDD	160	VDD	247	VSS	248	VSS
75	DM3_n/D BI3_n, NC	76	DQS3_t	161	ODT1	162	C0, CS2_n, NC	249	DQ58	250	DQ59
77	VSS	78	VSS	163	VDD	164	VREFCA	251	VSS	252	VSS
79	DQ30	80	DQ31	165	C1, CS3_n, NC	166	SA2	253	SCL	254	SDA
81	VSS	82	VSS	167	VSS	168	VSS	255	VDDSPD	256	SA0
83	DQ26	84	DQ27	169	DQ37	170	DQ36	257	VPP	258	VTT
85	VSS	86	VSS	171	VSS	172	VSS	259	VPP	260	SA1
87	CB5, NC	88	CB4, NC	173	DQ33	174	DQ32				

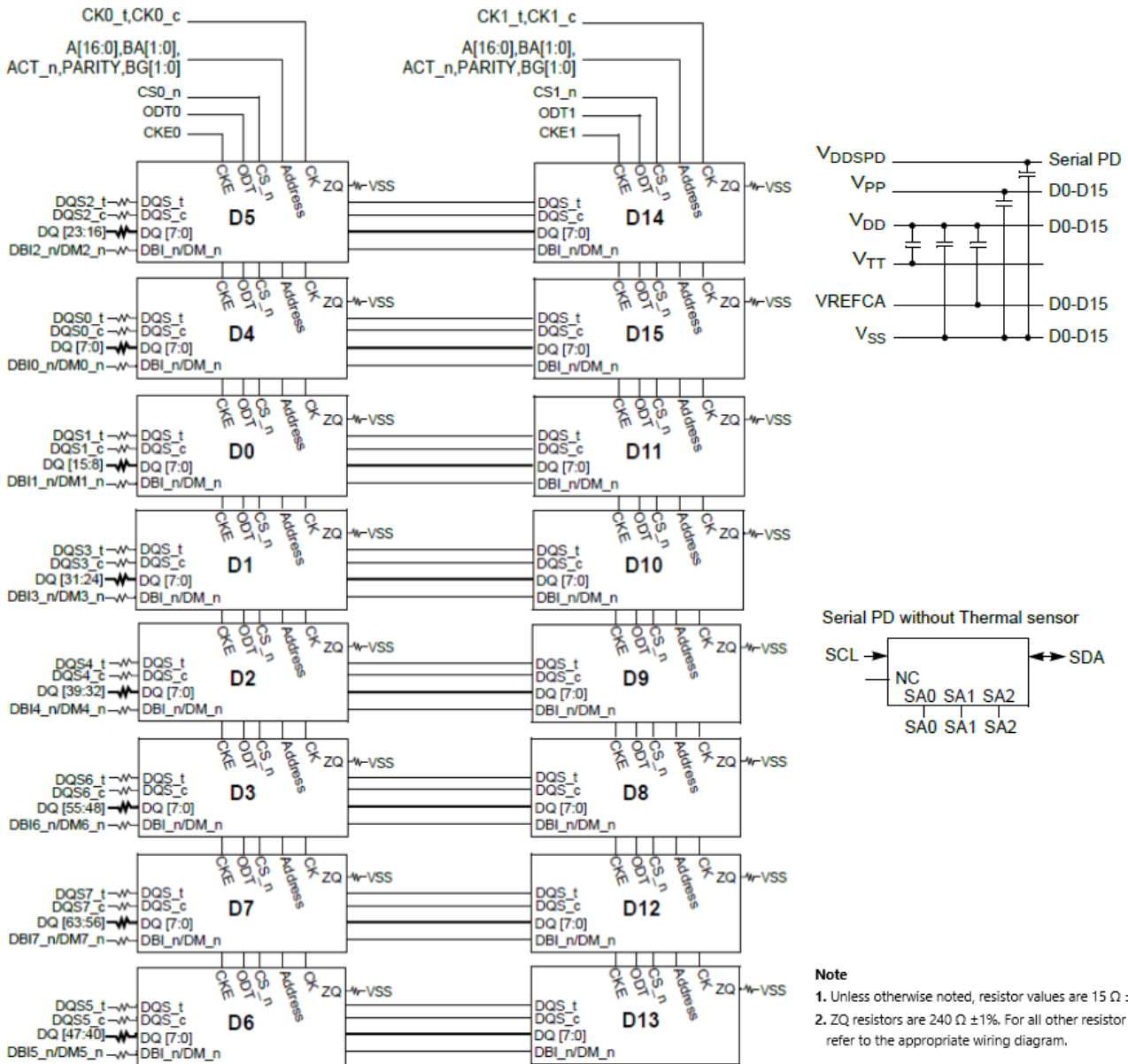
Pin Description :

Pin Name	Description	Pin Name	Description
A0–A16	SDRAM address bus	SCL	I ² C serial bus clock for SPD-TSE
BA0, BA1	SDRAM bank select	SDA	I ² C serial bus data line for SPD-TSE
BG0, BG1	SDRAM bank group select	SA0–SA2	I ² C slave address select for SPD-TSE
RAS _n ¹	SDRAM row address strobe	PARITY	SDRAM parity input
CAS _n ²	SDRAM column address strobe	VDD	SDRAM I/O and core power supply
WE _n ³	SDRAM write enable	VPP	SDRAM activating power supply
CS0 _n , CS1 _n	DIMM Rank Select Lines	C0, C1	Chip ID lines for 3DS components
CKE0, CKE1	SDRAM clock enable lines	VREFCA	SDRAM command/address reference supply
ODT0, ODT1	SDRAM on-die termination control lines	VSS	Power supply return (ground)
ACT _n	SDRAM activate	VDDSPD	Serial SPD/TSE positive power supply
DQ0–DQ63	DIMM memory data bus	ALERT _n	SDRAM ALERT _n
CB0–CB7	DIMM ECC check bits	RESET _n	Set DRAMs to a Known State
DQS0 _t –DQS8 _t	Data Buffer data strobes (positive line of differential pair)	EVENT _n	SPD signals a thermal event has occurred
DQS0 _c –DQS8 _c	Data Buffer data strobes (negative line of differential pair)	VTT	Termination supply for the Address. Command and Control bus
DM0 _n –M8 _n , DBI0 _n –BI8 _n	SDRAM data masks/data bus inversion(x8-based x72 DIMMs)	NC	No connection
CK0 _t , CK1 _t	SDRAM clocks (positive line of differential pair)		
CK0 _c , CK1 _c	SDRAM clocks (negative line of differential pair)		

1. RAS_n is a multiplexed function with A16.
2. CAS_n is a multiplexed function with A15.
3. WE_n is a multiplexed function with A14.

Block Diagram :

[16GB – 2Rank, 1024Mx8 DDR4 SDRAMs]



Absolute Maximum Ratings :

Parameter	Symbol	Value	Unit
Voltage on VDD supply relative to Vss	VDD	-0.3 ~ 1.5	V
Voltage on VDDQ pin relative to Vss	VDDQ	-0.3 ~1.5	V
Voltage on VPP pin relative to Vss	VPP	-0.3 ~3.0	V
Voltage on any pin relative to Vss	VIN, Vout	-0.3 ~ 1.5	V
Storage temperature	TSTG	-55 ~ +100	°C

Note: DDR4 SDRAM component specification.

Operation Temperature Condition

Parameter	Symbol	Value	Unit	Note
Normal Operating Temperature Range	TC	0~+85	°C	
Extended Temperature Range (Optional)	TC	+85~+95	°C	1

Note: (1) Refresh commands must be doubled in frequency, reducing the refresh interval tREFI to 3.9μs

DC Operating Condition:

Voltage referenced to Vss = 0V, VDD&VDDQ=1.14V~1.26V, Tc = 0 to 85 °C

Parameter	Symbol	Min	Typ	Max	Unit	Note
Supply Voltage	VDD	1.14	1.2	1.26	V	1,2,3
	VDDSPD	2.25	2.5	3.6	V	
Supply Voltage for Output	VDDQ	1.14	1.2	1.26	V	1,2,3
Wordline supply voltage	VPP	2.375	2.5	2.75	V	3
Reference Voltage for CMD/ADD	VREFCA, (DC)	0.49 x VDD	0.5 x VDD	0.51 x VDD	V	4
Termination Voltage	VTT	0.49 x VDDQ-20mV	0.5 x VDD	0.51 x VDDQ+20mV	V	

Note: (1) Under all conditions VDDQ must be less than or equal to VDD.

(2) VDDQ tracks with VDD. AC parameters are measured with VDD and VDDQ tied together.

(3) The DC bandwidth is limited to 20MHz.

(4) The AC peak noise on VREF may not allow VREF to deviate from VREF(DC) by more than ±1% VDD (for reference: approx. ±12mV)

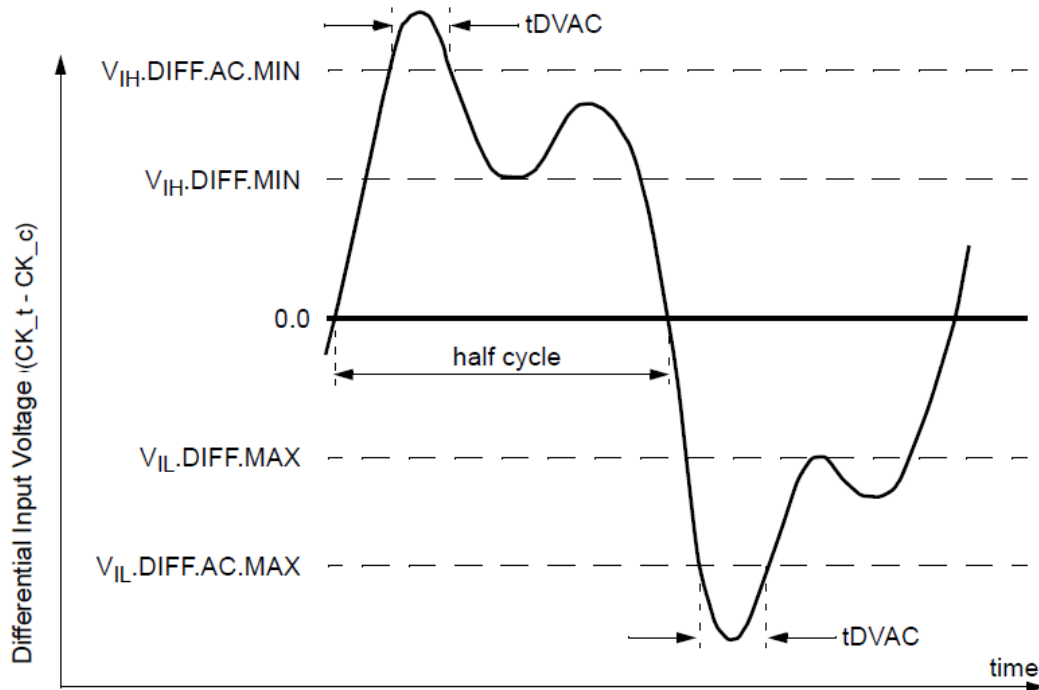
Input DC & AC Logic Level for single-ended signals :

Parameter	Symbol	DDR4-2400		DDR4-2666/3200		Unit	Note
		Min	Max	Min	Max		
DC Input logic high voltage	VIH (DC)	VREF+75	VDD	VREF+65	VDD	mV	1
DC Input logic low voltage	VIL (DC)	VSS	VREF-75	VSS	VREF-65	mV	1
AC input logic high	VIH(AC)	VREF+100	Note 2	VREF+90	Note 2	mV	1
AC input logic low	VIL(AC)	Note 2	VREF-100	Note 2	VREF-90	mV	1

Note: 1. See "Overshoot and Undershoot Specifications" on section.

2. The AC peak noise on VREFCA may not allow VREFCA to deviate from VREFCA(DC) by more than $\pm 1\%$ VDD (for reference : approx. $\pm 12\text{mV}$)

Input AC & DC Logic Level for Differential signals :



Parameter	Symbol	DDR4-2400		DDR4-2666		DDR4-3200		Unit	Note
		Min	Min	Min	Max	Min	Max		
Differential input high	VIHdiff	0.135	Note 3	0.135	Note 3	0.11	Note 3	V	1
Differential input low	VILdiff	Note 3	-0.135	Note 3	-0.135	Note 3	-0.11	V	1
Differential input high AC	VIHdiff (AC)	$2x(V_{IH(ac)} - V_{ref})$	Note 3	$2x(V_{IH(ac)} - V_{ref})$	Note 3	$2x(V_{IH(ac)} - V_{ref})$	Note 3	V	2
Differential input low AC	VILdiff (AC)	Note 3	$2x(V_{IL(ac)} - V_{ref})$	Note 3	$2x(V_{IL(ac)} - V_{ref})$	Note 3	$2x(V_{IL(ac)} - V_{ref})$	V	2

Notes:

- (1) Used to define a differential signal slew-rate.
- (2) For CK_t – CK_c use VIH/VIL(ac) of ADD/CMD and VREFCA
- (3) These values are not defined, however they single-ended signals CK, /CK, DQS, /DQS, DQSL, /DQSL, DQSU, /DQSU need to be within the respective limits (VIH(dc) max, VIL(dc)min) for single-ended signals as well as the limitations for overshoot and undershoot on Component Datasheet.

IDD Specification :

VDDQ = VDD = 1.2V(1.14V~1.26V)

Symbol	Condition	16GB	Unit
IDD0 ¹	One bank ACTIVATE-PRECHARGE current	464	mA
IPP0 ¹	One bank ACTIVATE-PRECHARGE,wordline boost,IPP current	168	mA
IDD1 ¹	One Bank Active-Read-Precharge Current	536	mA
IDD2N ²	Precharge Standby Current	480	mA
IDD2NT ¹	Precharge standby ODT current	448	mA
IDD2P ²	Precharge Power-Down Current	336	mA
IDD2Q ²	Precharge Quiet Standby Current	400	mA
IDD3N ²	Active standby current	528	mA
IPP3N ²	Active standby IPP current	256	mA
IDD3P ²	Active Power-Down Current	416	mA
IDD4R ¹	Burst Read Current	1224	mA
IDD4W ¹	Burst write current	1136	mA
IDD5B ¹	Burst refresh current (1x REF)	1800	mA
IPP5B ¹	Burst refresh IPP current (1x REF)	616	mA
IDD6N ²	Self refresh current: Normal temperature range (0–85°C)	336	mA
IDD6E ²	Self refresh current: Extended temperature range (0–95°C)	448	mA
IDD7 ¹	Bank interleave read current	1368	mA
IPP7 ¹	Bank interleave read IPP current	272	mA
IDD8 ²	Maximum power-down current	192	mA

Note:

1. One module rank in the active IDD/PP, the other rank in IDD2N/PP2N.
2. All ranks in this IDD/PP condition.
3. IDD current measure method and detail patterns are described on DDR4 component datasheet. Only for reference.

Timings used for IDD, IPP and IDDQ Measurement :

Symbol		DDR4-1866	DDR4-2133	DDR4-2400	DDR4-2666	DDR4-2933	DDR4-3200	Units
Bin(CL-tRCD-tRP)		13-13-13	15-15-15	17-17-17	19-19-19	21-21-21	22-22-22	
Parameter		Min	Min	Min	Min	Min	Min	
tCK		1.071	0.937	0.833	0.75	0.682	0.625	ns
CL		13	15	17	19	21	22	nCK
CWL		12	14	16	18	20	20	nCK
nRCD		13	15	17	19	21	22	nCK
nRC		45	51	56	62	68	74	nCK
nRAS		32	36	39	43	47	52	nCK
nRP		13	15	17	19	21	22	nCK
nFAW	X4	16	16	16	16	16	16	nCK
	X8	23	26	28	31	34	34	nCK
	X16	32	36	40	44	48	48	nCK
nRRDS	X4	4	4	4	4	4	4	nCK
	X8	4	4	4	4	4	4	nCK
	X16	6	7	8	8	9	9	nCK
nRRDL	X4	6	6	7	8	8	8	nCK
	X8	6	6	7	8	8	8	nCK
	X16	7	8	9	10	11	11	nCK
tCCD_S		4	4	4	4	4	4	nCK
tCCD_L		5	6	6	7	8	8	nCK
tWTR_S		3	3	3	4	4	4	nCK
tWTR_L		7	8	9	10	11	12	nCK
nRFC 2Gb		150	171	193	214	235	256	nCK
nRFC 4Gb		243	278	313	347	382	416	nCK
nRFC 8Gb		327	374	421	467	514	560	nCK
nRFC 16Gb		514	587	661	734	807	880	nCK

Timing Parameters:

Parameter	Symbol	DDR4-2400		DDR4-2666		DDR4-3200		Unit	Notes	
		Min	Max	Min	Max	Min	Max			
Clock Timing										
Clock period average(DLL off mode)	tCK (DLL_OFF)	8	20	8	20	8	20	ns		
Clock period average	tCK (AVG) (DLL_ON)	0.83	<0.937	0.75	<0.833	0.63	<0.682	ns	14	
High pulse width average	tCH (AVG)	0.48	0.52	0.48	0.52	0.48	0.52	tCK(AVG)		
Low pulse width average	tCL (AVG)	0.48	0.52	0.48	0.52	0.48	0.52	tCK(AVG)		
Clock period jitter	Total	tJITper_tot	-42	42	-38	38	-32	32	ps	18 ,19
	Deterministic	tJITper_dj	-21	21	-19	19	-16	16	ps	18
	DLL locking	tJITper,lck	-33	33	-30	30	-25	25	ps	
Clock absolute period	tCK (ABS)	MIN = tCK (AVG) MIN + tJITper_tot MIN; MAX = tCK (AVG) MAX + tJITper_tot MAX						ps		
Clock absolute high pulse width (includes duty cycle jitter)	tCH (ABS)	0.45	-	0.45	-	0.45	-	tCK(AVG)		
Clock absolute low pulse width (includes duty cycle jitter)	tCL (ABS)	0.45	-	0.45	-	0.45	-	tCK(AVG)		
Cycle-to-cycle jitter	Total	tJITcc_tot	-	83	-	75	-	62	ps	
	DLL locking	tJITcc,lck	-	67	-	60	-	50	ps	
Cumulative error across	2 cycles	tERR2per	-61	61	-55	55	-46	46	ps	
	3 cycles	tERR3per	-73	73	-66	66	-55	55	ps	
	4 cycles	tERR4per	-81	81	-73	73	-61	61	ps	
	5 cycles	tERR5per	-87	87	-78	78	-65	65	ps	
	6 cycles	tERR6per	-92	92	-83	83	-69	69	ps	
	7 cycles	tERR7per	-97	97	-87	87	-73	73	ps	
	8 cycles	tERR8per	-101	101	-91	91	-76	76	ps	
	9 cycles	tERR9per	-104	104	-94	94	-78	78	ps	
	10 cycles	tERR10per	-107	107	-96	96	-80	80	ps	
	11 cycles	tERR11per	-110	110	-99	99	-83	83	ps	
	12 cycles	tERR12per	-112	112	-101	101	-84	84	ps	
n=13,14...49, 50cycles	tERRnper	tERRnper MIN = (1 + 0.68ln[n]) × tJITper_tot MIN tERRnper MAX = (1 + 0.68ln[n]) × tJITper_tot MAX						ps		

Parameter		Symbol	DDR4-2400		DDR4-2666		DDR4-3200		Unit	Notes
			Min	Max	Min	Max	Min	Max		
DQ Input Timing										
Data setup time to DQS_t, DQS_c	Base(calibrated V _{REF})	tDS	Refer to DQ Input Receiver Specification section (approximately 0.15tCK to 0.28tCK)					–		
	Noncalibrated V _{REF}	tPDA_S	minimum of 0.5UI					UI	23	
Data hold time from DQS_t, DQS_c	Base(calibrated V _{REF})	tDS	Refer to DQ Input Receiver Specification section (approximately 0.15tCK to 0.28tCK)					–		
	Noncalibrated V _{REF}	tPDA_S	minimum of 0.5UI					UI	23	
DQ and DM minimum data pulse width for each input		tDIPW	0.58	–	0.58	–	0.58	–	UI	
DQ Output Timing (DLL enabled)										
DQS_t, DQS_c to DQ skew, per group, per access		tDQSQ	–	0.17	–	0.18	–	0.20	UI	
DQ output hold time from DQS_t, DQS_c		tQH	0.74	–	0.74	–	0.70	–	UI	
Data Valid Window per device: tQH -tDQSQ each device's output per UI		tDVWd	0.64	–	0.64	–	0.64	–	UI	
Data Valid Window per device, per pin: tQH - tDQSQ each device's output per UI		tDVWp	0.72	–	0.72	–	0.72	–	UI	
DQ Low-Z time from CK_t, CK_c		tLZDQ	–330	175	–310	170	–250	160	ps	
DQ High-Z time from CK_t, K_c		tHZDQ	–	175	–	170	–	160	ps	
DQ Strobe Input Timing										
DQS_t, DQS_c rising edge to CK_t, CK_c rising edge for 1tCKpreamble		tDQSS _{1ck}	–0.27	0.27	–0.27	0.27	–0.27	0.27	CK	
DQS_t, DQS_c rising edge to CK_t, CK_c rising edge for 2tCKpreamble		tDQSS _{2ck}	–0.50	0.50	–0.50	0.50	–0.50	0.50	CK	
DQS_t, DQS_c differential input low pulse width		tDQSL	0.46	0.54	0.46	0.54	0.46	0.54	CK	

Parameter	Symbol	DDR4-2400		DDR4-2666		DDR4-3200		Unit	Notes
		Min	Max	Min	Max	Min	Max		
DQ Strobe Input Timing									
DQS_t, DQS_c differential input high pulse width	tDQSH	0.46	0.54	0.46	0.54	0.46	0.54	CK	
DQS_t, DQS_c falling edge setup to CK_t, CK_c rising edge	tDSS	0.18	–	0.18	–	0.18	–	CK	
DQS_t, DQS_c falling edge hold from CK_t, CK_c rising edge	tDSH	0.18	–	0.18	–	0.18	–	CK	
DQS_t, DQS_c differential WRITE preamble for 1 st CKpreamble	tWPRE _{1ck}	0.9	–	0.9	–	0.9	–	CK	
DQS_t, DQS_c differential WRITE preamble for 2 nd CKpreamble	tWPRE _{2ck}	1.8	–	1.8	–	1.8	–	CK	
DQS_t, DQS_c differential WRITE postamble	tWPST	0.33	–	0.33	–	0.33	–	CK	
DQS Strobe Output Timing (DLL enabled)									
DQS_t, DQS_c rising edge output access time from rising CK_t, CK_c	tDQSCK	–175	175	–170	170	–160	160	ps	
DQS_t, DQS_c rising edge output variance window per DRAM	tDQSCKi	–	290	–	270	–	260	ps	
DQS_t, DQS_c differential output high time	tQSH	0.4	–	0.4	–	0.4	–	CK	
DQS_t, DQS_c differential output low time	tQSL	0.4	–	0.4	–	0.4	–	CK	
DQS_t, DQS_c Low-Z time (RL - 1)	tLZDQS	–330	175	–310	170	–250	160	ps	
DQS_t, DQS_c High-Z time (RL + BL/2)	tHZDQS	–	175	–	170	–	160	ps	
DQS_t, DQS_c differential READ preamble for 1 st CKpreamble	tRPRE _{1ck}	0.9	–	0.9	–	0.9	–	CK	
DQS_t, DQS_c differential READ preamble for 2 nd CKpreamble	tRPRE _{2ck}	1.8	–	1.8	–	1.8	–	CK	
DQS_t, DQS_c differential READ postamble	tRPST	0.33	–	0.33	–	0.33	–	CK	

Parameter	Symbol	DDR4-2400		DDR4-2666		DDR4-3200		Unit	Notes	
		Min	Max	Min	Max	Min	Max			
Command and Address Timing										
DLL locking time	tDLLK	768	–	1024	–	1024	–	CK	2, 4	
CMD, ADDR setup time to CK_t, CK_c Base referenced to V _{IH(AC)} and V _{IL(AC)} levels	Base	tIS	62	–	55	–	40	–	ps	
	V _{REFCA}	tISVREF	162	–	145	–	130	–	ps	
CMD, ADDR hold time to CK_t, CK_c Base referenced to V _{IH(DC)} and V _{IL(DC)} levels	Base	tIH	87	–	80	–	65	–	ps	
	V _{REFCA}	tIHVREF	162	–	145	–	130	–	ps	
CTRL, ADDR pulse width for each input	tIPW	410	–	385	–	340	–	ps		
ACTIVATE to internal READ or WRITE delay	tRCD	14.2	–	14.3	–	13.8	–	ns		
PRECHARGE command period	tRP	14.2	–	14.3	–	13.8	–	ns		
ACTIVATE-to-PRECHARGE command period	tRAS	32	9xtREFI	32	9xtREFI	32	9xtREFI	ns	13	
ACTIVATE-to-ACTIVATE or REF command period	tRC	46.2	–	46.3	–	45.8	–	ns	13	
ACTIVATE-to-ACTIVATE command period to different bank groups for 1/2KB page size	tRRD_S (1/2KB)	MIN = greater of 4CK or 3.3ns		MIN = greater of 4CK or 3.0ns		MIN = greater of 4CK or 2.5ns		CK	1	
ACTIVATE-to-ACTIVATE command period to different bank groups for 1KB page size	tRRD_S (1KB)	MIN = greater of 4CK or 3.3ns		MIN = greater of 4CK or 3.0ns		MIN = greater of 4CK or 2.5ns		CK	1	
ACTIVATE-to-ACTIVATE command period to different bank groups for 2KB page size	tRRD_S (2KB)	MIN = greater of 4CK or 5.3ns		MIN = greater of 4CK or 5.3ns		MIN = greater of 4CK or 5.3ns		CK	1	
ACTIVATE-to-ACTIVATE command period to same bank groups for 1/2KB page size	tRRD_L (1/2KB)	MIN = greater of 4CK or 4.9ns		MIN = greater of 4CK or 4.9ns		MIN = greater of 4CK or 4.9ns		CK	1	

Parameter	Symbol	DDR4-2400		DDR4-2666		DDR4-3200		Unit	Notes	
		Min	Max	Min	Max	Min	Max			
Command and Address Timing										
DLL locking time	tDLLK	768	–	1024	–	1024	–	CK	2, 4	
CMD, ADDR setup time to CK_t, CK_c Base referenced to V _{IH(AC)} and V _{IL(AC)} levels	Base	tIS	62	–	55	–	40	–	ps	
	V _{REFCA}	tISVREF	162	–	145	–	130	–	ps	
CMD, ADDR hold time to CK_t, CK_c Base referenced to V _{IH(DC)} and V _{IL(DC)} levels	Base	tIH	87	–	80	–	65	–	ps	
	V _{REFCA}	tIHVREF	162	–	145	–	130	–	ps	
CTRL, ADDR pulse width for each input	tIPW	410	–	385	–	340	–	ps		
ACTIVATE to internal READ or WRITE delay	tRCD	14.2	–	14.3	–	13.8	–	ns		
PRECHARGE command period	tRP	14.2	–	14.3	–	13.8	–	ns		
ACTIVATE-to-PRECHARGE command period	tRAS	32	9xtREFI	32	9xtREFI	32	9xtREFI	ns	13	
ACTIVATE-to-ACTIVATE or REF command period	tRC	46.2	–	46.3	–	45.8	–	ns	13	
ACTIVATE-to-ACTIVATE command period to different bank groups for 1/2KB page size	tRRD_S (1/2KB)	MIN = greater of 4CK or 3.3ns		MIN = greater of 4CK or 3.0ns		MIN = greater of 4CK or 2.5ns		CK	1	
ACTIVATE-to-ACTIVATE command period to different bank groups for 1KB page size	tRRD_S (1KB)	MIN = greater of 4CK or 3.3ns		MIN = greater of 4CK or 3.0ns		MIN = greater of 4CK or 2.5ns		CK	1	
ACTIVATE-to-ACTIVATE command period to different bank groups for 2KB page size	tRRD_S (2KB)	MIN = greater of 4CK or 5.3ns		MIN = greater of 4CK or 5.3ns		MIN = greater of 4CK or 5.3ns		CK	1	
ACTIVATE-to-ACTIVATE command period to same bank groups for 1/2KB page size	tRRD_L (1/2KB)	MIN = greater of 4CK or 4.9ns		MIN = greater of 4CK or 4.9ns		MIN = greater of 4CK or 4.9ns		CK	1	

Parameter	Symbol	DDR4-2400		DDR4-2666		DDR4-3200		Unit	Notes
		Min	Max	Min	Max	Min	Max		
Command and Address Timing									
ACTIVATE-to-ACTIVATE command period to same bank groups for 1KB page size	tRRD_L (1KB)	MIN = greater of 4CK or 4.9ns		MIN = greater of 4CK or 4.9ns		MIN = greater of 4CK or 4.9ns		CK	1
ACTIVATE-to-ACTIVATE command period to same bank groups for 2KB page size	tRRD_L (2KB)	MIN = greater of 4CK or 6.4ns		MIN = greater of 4CK or 6.4ns		MIN = greater of 4CK or 6.4ns		CK	1
Four ACTIVATE windows for 1/2KB page size	tFAW (1/2KB)	MIN = greater of 16CK or 13ns		MIN = greater of 16CK or 12ns		MIN = greater of 16CK or 10ns		ns	
Four ACTIVATE windows for 1KB page size	tFAW (1KB)	MIN = greater of 20CK or 21ns		MIN = greater of 20CK or 21ns		MIN = greater of 20CK or 21ns		ns	
Four ACTIVATE windows for 2KB page size	tFAW (2KB)	MIN = greater of 28CK or 30ns		MIN = greater of 28CK or 30ns		MIN = greater of 28CK or 30ns		ns	
Command and Address Timing									
WRITE recovery time	tWR	MIN = 15ns						ns	5, 10, 1
	tWR2	MIN = 1CK + tWR						CK	5, 11, 1
WRITE recovery time when CRC and DM are both enabled	tWR_CRC_DM	MIN = tWR + greater of (5CK or 3.75ns)						CK	6, 10, 1
	tWR_CRC_DM2	MIN = 1CK + tWR_CRC_DM						CK	6, 11, 1
Delay from start of internal WRITE transaction to internal READ command – Same bank group	tWTR_L	MIN = greater of 4CK or 7.5ns						CK	5, 10, 1
	tWTR_L2	MIN = 1CK + tWTR_L						CK	5, 11, 1
Delay from start of internal WRITE transaction to internal READ command – Same bank group when CRC and DM are both enabled	tWTR_L_CRC_DM	MIN = tWTR_L + greater of (5CK or 3.75ns)						CK	6, 10, 1
	tWTR_L_CRC_DM2	MIN = 1CK + tWTR_L_CRC_DM						CK	6, 11, 1

Parameter	Symbol	DDR4-2400		DDR4-2666		DDR4-3200		Unit	Notes
		Min	Max	Min	Max	Min	Max		
Command and Address Timing									
Delay from start of internal WRITE transaction to internal READ command – Different bank group	tWTR_S	MIN = greater of (2CK or 2.5ns)						CK	5, 7, 8, 10, 1
	tWTR_S2	MIN = 1CK + tWTR_S						CK	5, 7, 8, 11, 1
Delay from start of internal WRITE transaction to internal READ command – Different bank group when CRC and DM are both enabled	tWTR_S_CRC_DM	MIN = tWTR_S + greater of (5CK or 3.75ns)						CK	6, 7, 8, 10, 1
	tWTR_S_CRC_DM2	MIN = 1CK + tWTR_S_CRC_DM						CK	6, 7, 8, 11, 1
READ-to-PRECHARGE time	tRTP	MIN = greater of 4CK or 7.5ns						CK	1
CAS_n-to-CAS_n command delay to different bank group	tCCD_S	4	–	4	–	4	–	CK	
CAS_n-to-CAS_n command delay to same bank group	tCCD_L	MIN = greater of 4CK or 5ns	–	MIN = greater of 4CK or 5ns	–	MIN = greater of 4CK or 5ns	–	CK	15
Auto precharge write recovery + precharge time	tDAL (MIN)	MIN = WR + ROUNDUPtRP/tCK (AVG); MAX = N/A						CK	
MRS Command Timing									
MRS command cycle time	tMRD	8	–	8	–	8	–	CK	
MRS command cycle time in PDA mode	tMRD_PDA	MIN = greater of (16nCK, 10ns)							1
MRS command cycle time in CAL mode	tMRD_CAL	MIN = tMOD + tCAL						CK	
MRS command update delay	tMOD	MIN = greater of (24nCK, 15ns)						CK	1
MRS command update delay in PDA mode	tMOD_PDA	MIN = tMOD						CK	
MRS command update delay in CAL mode	tMOD_CAL	MIN = tMOD + tCAL CK						CK	

Parameter	Symbol	DDR4-2400		DDR4-2666		DDR4-3200		Unit	Notes
		Min	Max	Min	Max	Min	Max		
Command and Address Timing									
Delay from start of internal WRITE transaction to internal READ command – Different bank group	tWTR_S	MIN = greater of (2CK or 2.5ns)						CK	5, 7, 8, 10, 1
	tWTR_S2	MIN = 1CK + tWTR_S						CK	5, 7, 8, 11, 1
Delay from start of internal WRITE transaction to internal READ command – Different bank group when CRC and DM are both enabled	tWTR_S_CRC_DM	MIN = tWTR_S + greater of (5CK or 3.75ns)						CK	6, 7, 8, 10, 1
	tWTR_S_CRC_DM2	MIN = 1CK + tWTR_S_CRC_DM						CK	6, 7, 8, 11, 1
READ-to-PRECHARGE time	tRTP	MIN = greater of 4CK or 7.5ns						CK	1
CAS_n-to-CAS_n command delay to different bank group	tCCD_S	4	–	4	–	4	–	CK	
CAS_n-to-CAS_n command delay to same bank group	tCCD_L	MIN = greater of 4CK or 5ns	–	MIN = greater of 4CK or 5ns	–	MIN = greater of 4CK or 5ns	–	CK	15
Auto precharge write recovery + precharge time	tDAL (MIN)	MIN = WR + ROUNDUP(tRP/tCK (AVG)); MAX = N/A						CK	
MRS Command Timing									
MRS command cycle time	tMRD	8	–	8	–	8	–	CK	
MRS command cycle time in PDA mode	tMRD_PDA	MIN = greater of (16nCK, 10ns)							1
MRS command cycle time in CAL mode	tMRD_CAL	MIN = tMOD + tCAL						CK	
MRS command update delay	tMOD	MIN = greater of (24nCK, 15ns)						CK	1
MRS command update delay in PDA mode	tMOD_PDA	MIN = tMOD						CK	
MRS command update delay in CAL mode	tMOD_CAL	MIN = tMOD + tCAL CK						CK	

Parameter	Symbol	DDR4-2400		DDR4-2666		DDR4-3200		Unit	Notes
		Min	Max	Min	Max	Min	Max		
MRS Command Timing									
MRS command to DQS drive in preamble training	tSDO	MIN = tMOD + 9ns						CK	
MPR Command Timing									
Multipurpose register recovery time	tMPRR	MIN = 1CK						CK	
Multipurpose register write recovery time	tWR_MPRR	MIN = tMOD + AL + PL							
CRC Error Reporting Timing									
CRC error to ALERT_n latency	tCRC_ALERT	3	13	3	13	3	13	ns	
CRC ALERT_n pulse width	tCRC_ALERT_PW	6	10	6	10	6	10	CK	
CA Parity Timing									
Parity latency	PL	5	–	5	–	6	–	CK	
Commands uncertain to be executed during this time	tPAR_UNKNOWN	–	PL	–	PL	–	PL	CK	
Delay from errant command to ALERT_n assertion	tPAR_ALERT_ON	–	PL + 6ns	–	PL + 6ns	–	PL + 6ns	CK	
Pulse width of ALERT_n signal when asserted	tPAR_ALERT_PW	72	144	80	160	96	192	CK	
Time from alert asserted until DES commands required in persistent CA parity mode	tPAR_ALERT_RSP	–	64	–	71	–	85	CK	
CAL Timing									
CS_n to command address latency	tCAL	5	–	5	–	6	–	CK	20
CS_n to command address latency in gear-down mode	tCALg	N/A	–	6	–	8	–	CK	
MPSM Timing									
Command path disable delay upon MPSM entry	tMPED	MIN = tMOD (MIN) + tCPDED (MIN)						CK	1
Valid clock requirement after MPSM entry	tCKMPE	MIN = tMOD (MIN) + tCPDED (MIN)						CK	1

Parameter	Symbol	DDR4-2400		DDR4-2666		DDR4-3200		Unit	Notes	
		Min	Max	Min	Max	Min	Max			
MPSM Timing										
Valid clock requirement before MPSM exit	tCKMPX	MIN = tCKSRX (MIN)						CK	1	
Exit MPSM to commands not requiring a locked DLL	tXMP	tXS (MIN)						CK		
Exit MPSM to commands requiring a locked DLL	tXMPDLL	MIN = tXMP (MIN) + tXSDLL (MIN)						CK	1	
CS setup time to CKE	tMPX_S	MIN = tIS (MIN) + tIH (MIN)						ns		
CS_n HIGH hold time to CKE rising edge	tMPX_HH	MIN = tXP						ns		
CS_n LOW hold time to CKE rising edge	tMPX_LH	12	tXMP-1 0ns	12	tXMP-1 0ns	12	tXMP-1 0ns	ns		
Connectivity Test Timing										
TEN pin HIGH to CS_n LOW – Enter CT mode	tCT_Enable	200	–	200	–	200	–	ns		
CS_n LOW and valid input to valid output	tCT_Valid	–	200	–	200	–	200	ns		
CK_t, CK_c valid and CKE HIGH after TEN goes HIGH	tCTCKE_Valid	10	–	10	–	10	–	ns		
Calibration and VREFDQ Train Timing										
ZQCL command: Long calibration time	POWER-UP and RESET operation	tZQinit	1024	–	1024	–	1024	–	CK	
	Normal operation	tZQoper	512	–	512	–	512	–	CK	
ZQCS command: Short calibration time		tZQCS	128	–	128	–	128	–	CK	
The VREF increment/decrement step time		VREF_time	MIN = 150ns							
Enter VREFDQ training mode to the first write or VREFDQ MRS command delay		tVREFDQE	MIN = 150ns						ns	1
Exit VREFDQ training mode to the first WRITE command delay		tVREFDQX	MIN = 150ns						ns	1

Parameter	Symbol	DDR4-2400		DDR4-2666		DDR4-3200		Unit	Notes	
		Min	Max	Min	Max	Min	Max			
Initialization and Reset Timing										
Exit reset from CKE HIGH to a valid command	tXPR	MIN = greater of 5CK or tRFC (MIN) + 10ns						CK	1	
RESET_L pulse low after power stable	tPW_REST_S	1.0	–	1.0	–	1.0	–	µs		
RESET_L pulse low at power-up	PW_REST_L	200	–	200	–	200	–	µs		
Begin power supply ramp to power supplies stable	tVDDPR	MIN = N/A; MAX = 200						ms		
RESET_n LOW to power supplies stable	tRPS	MIN = 0; MAX = 0						ns		
RESET_n LOW to I/O and RTT High-Z	tIOZ	MIN = N/A; MAX = undefined						ns		
Refresh Timing										
REFRESH-to-ACTIVATE or REFRESH command period (all bank groups)	4Gb	tRFC1	MIN = 260						ns	1, 12
		tRFC2	MIN = 160						ns	1, 12
		tRFC4	MIN = 110						ns	1, 12
	8Gb	tRFC1	MIN = 350						ns	1, 12
		tRFC2	MIN = 260						ns	1, 12
		tRFC4	MIN = 160						ns	1, 12
	16Gb	tRFC1	MIN = 550						ns	1, 12
		tRFC2	MIN = 350						ns	1, 12
		tRFC4	MIN = 260						ns	1, 12
Average periodic refresh interval	0°C ≤ TC ≤ 85°C	tREFI	MIN = N/A; MAX = 7.8						ns	12
	85°C < TC ≤ 95°C	tREFI	MIN = N/A; MAX = 3.9						µs	12
Self Refresh Timing										
Exit self refresh to commands not requiring a locked DLL SRX to commands not requiring a locked DLL in self refresh abort	tXS	MIN = tRFC + 10ns						ns	1	
	tXS_ABORT	MIN = tRFC4 + 10ns						ns	1	
Exit self refresh to ZQCL, ZQCS and MRS (CL, CWL, WR, RTP and gear-down)	tXS_FAST	MIN = tRFC4 + 10ns						ns	1	

Parameter	Symbol	DDR4-2400		DDR4-2666		DDR4-3200		Unit	Notes
		Min	Max	Min	Max	Min	Max		
Self Refresh Timing									
Exit self refresh to commands requiring a locked DLL	tXSDLL	MIN = tDLLK (MIN)						CK	1
Minimum CKE low pulse width for self refresh entry to self refresh exit timing	tCKESR	MIN = tCKE (MIN) + 1nCK						CK	1
Minimum CKE low pulse width for self refresh entry to self refresh exit timing when CA parity is enabled	tCKESR_PAR	MIN = tCKE (MIN) + 1nCK + PL						CK	1
Valid clocks after self refresh entry (SRE) or power-down entry (PDE)	tCKSRE	MIN = greater of (5CK, 10ns)						CK	1
Valid clock requirement after self refresh entry or power-down when CA parity is enabled	tCKSRE_PAR	MIN = greater of (5CK, 10ns) + PL						CK	1
Valid clocks before self refresh exit (SRX) or power-down exit (PDX), or reset exit	tCKSRX	MIN = greater of (5CK, 10ns)						CK	1
Power-Down Timing									
Exit power-down with DLL on to any valid command	tXP	MIN = greater of 4CK or 6ns						CK	1
Exit precharge power-down with DLL frozen to commands not requiring a locked DLL when CA Parity is enabled	tXP_PAR	MIN = (greater of 4CK or 6ns) + PL						CK	1
CKE MIN pulse width	tCKE (MIN)	MIN = greater of 3CK or 5ns						CK	
Command pass disable delay	tCPDED	4	–	4	–	4	–	CK	
Power-down entry to power-down exit timing	tPD	MIN = tCKE (MIN); MAX = 9 × tREFI						CK	
Begin power-down period prior to CKE registered HIGH	tANPD	WL - 1CK						CK	
Power-down entry period: ODT either synchronous or asynchronous	PDE	Greater of tANPD or tRFC - REFRESH command to CKE LOW time						CK	

Parameter	Symbol	DDR4-2400		DDR4-2666		DDR4-3200		Unit	Notes
		Min	Max	Min	Max	Min	Max		
Power-Down Timing									
Power-down exit period: ODT either synchronous or asynchronous	PDX	tANPD + tXSDLL						CK	
Power-Down Entry Minimum Timing									
ACTIVATE command to power-down entry	tACTPDEN	2	–	2	–	2	–	CK	
PRECHARGE/PRECHARGE ALL command to power-down entry	tPRPDEN	2	–	2	–	2	–	CK	
REFRESH command to power-down entry	tREFPDEN	2	–	2	–	2	–	CK	
MRS command to power-down entry	tMRSPDEN	MIN = tMOD (MIN)						CK	1
READ/READ with auto precharge command to power-down entry	tRDPDEN	MIN = RL + 4 + 1						CK	1
WRITE command to power-down entry (BL8OTF, BL8MRS, BC4OTF)	tWRPDEN	MIN = WL + 4 + tWR/tCK (AVG)						CK	1
WRITE command to power-down entry (BC4MRS)	tWRPBC4DEN	MIN = WL + 2 + tWR/tCK (AVG)						CK	1
WRITE with auto precharge command to power-down entry (BL8OTF, BL8MRS, BC4OTF)	tWRAPDEN	MIN = WL + 4 + WR + 1						CK	1
WRITE with auto precharge command to power-down entry (BC4MRS)	tWRAPBC4DEN	MIN = WL + 2 + WR + 1						CK	1
ODT Timing									
Direct ODT turn-on latency	DODTLon	WL - 2 = CWL + AL + PL - 2						CK	
Direct ODT turn-off latency	DODTLoff	WL - 2 = CWL + AL + PL - 2						CK	
R _{TT} dynamic change skew	tADC	0.3	0.7	0.28	0.72	0.26	0.74	CK	
Asynchronous R _{TT(NOM)} turn-on delay (DLL off)	tAONAS	1	9	1	9	1	9	ns	
Asynchronous R _{TT(NOM)} turn-off delay (DLL off)	tAOFAS	1	9	1	9	1	9	ns	

Parameter	Symbol	DDR4-2400		DDR4-2666		DDR4-3200		Unit	Notes
		Min	Max	Min	Max	Min	Max		
ODT Timing									
ODT HIGH time with WRITE command and BL8	ODTH8 1'CK	6	–	6	–	6	–	CK	
	ODTH8 2'CK	7	–	7	–	7	–		
ODT HIGH time without WRITE command or with WRITE command and BC4	ODTH4 1'CK	4	–	4	–	4	–	CK	
	ODTH4 2'CK	5	–	5	–	5	–		
Write Leveling Timing									
First DQS _t , DQS _c rising edge after write leveling mode is programmed	tWLMRD	40	–	40	–	40	–	CK	
DQS _t , DQS _c delay after write leveling mode is programmed	tWLDQSEN	25	–	25	–	25	–	CK	
Write leveling setup from rising CK _t , CK _c crossing to rising DQS _t , DQS _c crossing	tWLS	0.13	–	0.13	–	0.13	–	tCK (AVG)	
Write leveling hold from rising DQS _t , DQS _c crossing to rising CK _t , CK _c crossing	tWLH	0.13	–	0.13	–	0.13	–	tCK (AVG)	
Write leveling output delay	tWLO	0	9.5	0	9.5	0	9.5	ns	
Write leveling output error	tWLOE	0	2	0	2	0	2	ns	
Gear-Down Timing (Not Supported Below DDR4-2666)									
Exit reset from CKE HIGH to a valid MRS gear-down	tXPR_GEAR	N/A		tXPR		tXPR		CK	
CKE HIGH assert to gear-down enable time	tXS_GEAR	N/A		tXS		tXS		CK	
MRS command to sync pulse time	tSYNC_GEAR	N/A		tMOD + 4CK tMOD		tMOD + 4CK tMOD		CK	
Sync pulse to first valid command	tCMD_GEAR	N/A		tMOD		tMOD		CK	
Gear-down setup time	tGEAR_setup	N/A	–	2CK	–	2CK	–	CK	
Gear-down hold time	tGEAR_hold	N/A	–	2CK	–	2CK	–	CK	

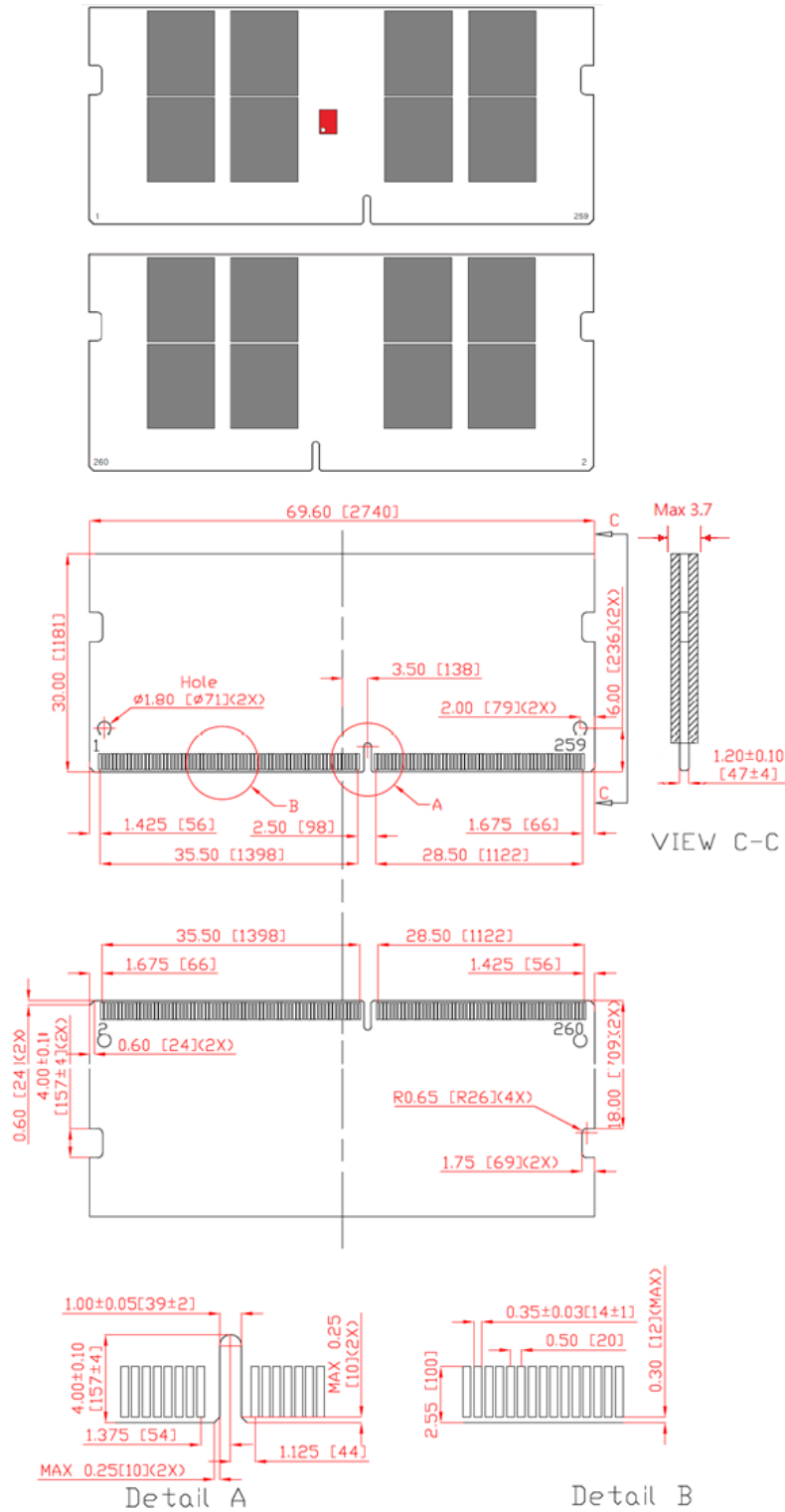
Notes:

- (1) Maximum limit not applicable.
- (2) tCCD_L and tDLLK should be programmed according to the value defined per operating frequency.
- (3) Data rate is greater than or equal to 1066 Mb/s.
- (4) RFU.
- (5) WRITE-to-READ when CRC and DM are both not enabled.
- (6) WRITE-to-READ delay when CRC and DM are both enabled.
- (7) The start of internal write transactions is defined as follows:
 - For BL8 (fixed by MRS and on-the-fly): rising clock edge four clock cycles after WL
 - For BC4 (on-the-fly): rising clock edge four clock cycles after WL
 - For BC4 (fixed by MRS): rising clock edge two clock cycles after WL
- (8) For these parameters, the device supports t_{nPARAM} [nCK] = RU{t_{PARAM} [ns]/t_{CK} (AVG) [ns]}, in clock cycles, assuming all input clock jitter specifications are satisfied.
- (9) Although unlimited row accesses to the same row is allowed within the refresh period, excessive row accesses to the same row over a long term can result in degraded operation.
- (10) When operating in 1t_{CK} WRITE preamble mode.
- (11) When operating in 2t_{CK} WRITE preamble mode.
- (12) When CA parity mode is selected and the DLLoff mode is used, each REF command requires an additional "PL" added to t_{RFC} refresh time.
- (13) DRAM devices should be evenly addressed when being accessed. Disproportionate accesses to a particular row address may result in reduction of the product lifetime and/or reduction in data retention ability.
- (14) Applicable from t_{CK} (AVG) MIN to t_{CK} (AVG) MAX as stated in the Speed Bin tables.
- (15) JEDEC specifies a minimum of five clocks.
- (16) The maximum read postamble is bound by t_{DQSCK} (MIN) plus t_{QSH} (MIN) on the left side and t_{HZ(DQS)} MAX on the right side.
- (17) The reference level of DQ output signal is specified with a midpoint as a widest part of output signal eye, which should be approximately 0.7 × V_{DDQ} as a center level of the static single-ended output peak-to-peak swing with a driver impedance of 34 ohms and an effective test load of 50 ohms to V_{TT} = V_{DDQ}.
- (18) JEDEC hasn't agreed upon the definition of the deterministic jitter; the user should focus on meeting the total limit.
- (19) Spread spectrum is not included in the jitter specification values. However, the input clock can accommodate spread-spectrum at a sweep rate in the range of 20–60 kHz with an additional 1% of t_{CK} (AVG) as a long-term jitter component; however, the spread spectrum may not use a clock rate below t_{CK} (AVG) MIN.
- (20) The actual t_{CAL} minimum is the larger of 3 clocks or 3.748ns/t_{CK}; the table lists the applicable clocks required at targeted speed bin.
- (21) The maximum READ preamble is bounded by t_{LZ(DQS)} MIN on the left side and t_{DQSCK} (MAX) on the right side. See figure in Clock to Data Strobe Relationship. Boundary of DQS Low-Z occur one cycle earlier in 2t_{CK} toggle mode which is illustrated in READ Preamble.

- (22) DQ falling signal middle-point of transferring from HIGH to LOW to first rising edge of DQS differential signal cross-point.
- (23) The tPDA_S/tPDA_H parameters may use the tDS/tDH limits, respectively, if the signal is LOW the entire BL8.

Package Dimensions :

[16GB – 2Rank, 1024Mx8 DDR4 SDRAMs]



Note: All dimensions are in millimeters(mils) and should be kept within a tolerance of $\pm 0.15(5.91)$, unless otherwise specified.