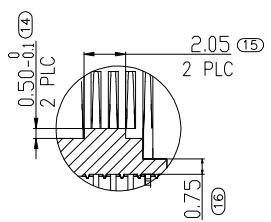
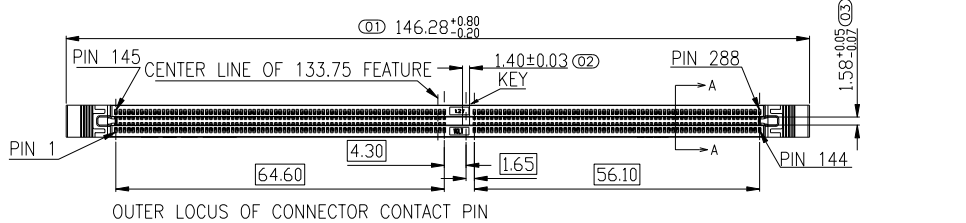
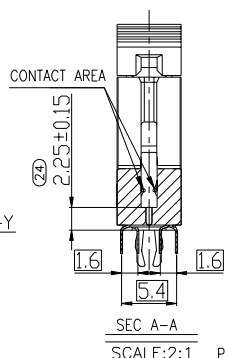
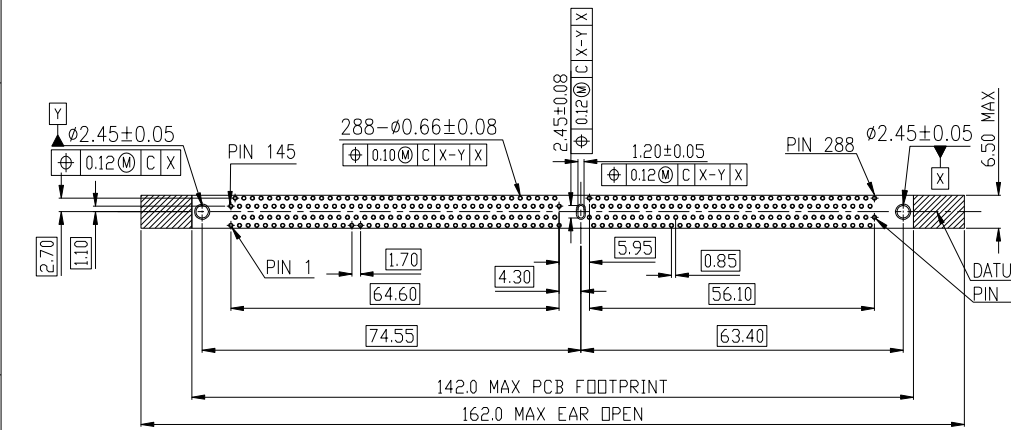
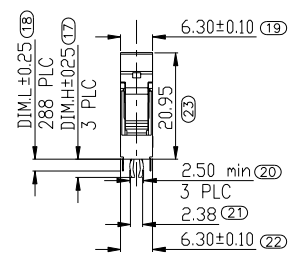
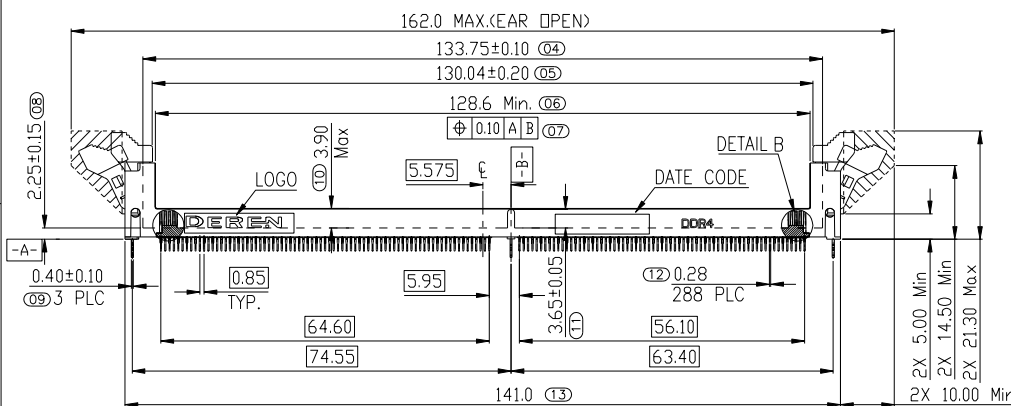


PART NUMBER	DIM.L CONTACT TAIL	DIM.H BOARD LOCK	DIM.G PCB
40-42181-2880*****	2.10±0.25	3.57±0.25	(1.40 or 1.60)
40-42181-2881*****	2.40±0.25	3.57±0.25	1.60
40-42181-2882*****	2.70±0.25	3.57±0.25	1.60
40-42181-2883*****	3.10±0.25	3.85±0.25	2.40

REV	ECN NO.	LOCATION	DESCRIPTION	DATE	DESIGN
A			INITIAL RELEASE	2014/5/14	Hejunfeng
B	RD-EA-13-0319		ADD REV P/N	2013/10/29	Hejunfeng
C	RD-EA-14-0250		MODIFY STRUCTURE	2014/06/04	Hejunfeng
D	RD-EA-14-0479		ADD TAIL "4.40" DIM., MODIFY DIMENSION, 6.57 DIM. IN	2014/10/08	Hejunfeng
E	RD-EA-15-1045		UPDATE CUSTOMER DRAWING	2015/12/08	CZH
F	RD-EA-16-0095		ADD HOUSING COLOR	2016/03/11	CZH
G	RD-EA-16-0096		ADD HSG COLOR AND TRAY INF.	2016/10/08	ZOW



DETAIL B SCALE:4:1
BUMPER BLOCK ON EACH SIDE



NOTES:

PRODUCT MUST MEET CONTROLLED SUBSTANCES SPEC. ROHS 2.0

- MATERIAL:
 - HOUSING:HIGH TEMPERATURE THERMOPLASTIC, UL94V-0; COLOR: SEE PART NUMBER INFORMATION.
 - EAR:HIGH TEMPERATURE THERMOPLASTIC, UL94V-0;COLOR:SEE PART NUMBER INFORMATION.
 - CONTACT:COPPER ALLOY .
 - BOARD LOCK: STEEL .
- FINISH:
 - CONTACT:
 - GOLD PLATING(SEE PART NUMBER INFORMATION.) ON CONTACT AREA.
 - 2.03um[80u"] MIN. MATTE-TIN PALTING ON SOLDER TAIL AREA.
 - 2.25um[90u"] MIN. NICKEL ON CONTACT AREA,1.27um[50u"] MIN. ON OTHER AREA
- REFLOW SOLDER CAPABLE TO 260°C MAX..
- MECHANICAL SPECIFICATION:
 - INSERTION FORCE: 10.89kg MAX.
 - WITHDRAW FORCE: 14 g MIN PER CONTACT PAIR
 - CONTACT RETENTION FORCE: 0.3kg MIN PER CONTACT
 - DURABILITY: 25MATING AND UNMATING CYCLES
 - INSERTION FORCE OF CONNECTOR INTO PCB (WITH THREE BOARD LOCKS): 7.65kg MAX.
- ELECTRICAL SPECIFICATION
 - CONTACT RESISTANCE: INITIAL:10 MILLIOHMS MAX. ,FINAL 20 MILLIOHMS MAX.
 - AFTER FULL ENVIRONMENTAL TESTING
 - CURRENT RATING: 0.75AMPS MAX.
 - INSULATION RESISTANCE: 1 MEGOHMS MIN. AT 500VAC
 - DIELECTRIC WITHSTAND VOLTAGE: 500VAC MIN. FOR ONE MINUTE.
- ENVIRONMENT SPECIFICATION
 - OPERATING TEMPERATURE: -44°C TO +85°C.
 - SOLDERABILITY: PASSED PER JESD22-B102, Condition C.
 - VIBRATION: PASSED PER EIA-364-28.
 - HUMIDITY: PASSED PER EIA-364-31.
 - THERMAL SHOCK: PASSED PER EIA-364-32.
 - MECHANICAL SHOCK: PASSED PER EIA-364-27.
- PART NUMBER INFORMATION:

40-42181-288 X X X X X I X

 - HF: HALOGEN FREE DEFAULT: HALOGEN
 - PACKAGE CODE: T: TRAY PACKING
 - 1.NO LOGO 2. DEREN LOGO 3:TE LOGO
 - PLATING CODE: 1: GOLD 1u"Min
2: GOLD 15u"
3: GOLD 20u"
4: GOLD 30u"
 - EAR COLOR: 1:BLACK/U 3:BLUE
2:WHITE 4:GREEN
5:GREY
 - HOUSING COLOR: _____
 - TAIL LENGTH:0:2.10 1:2.40
2:2.70 3:3.10
 - 1:BLACK/U
2:WHITE
3:BLUE(284C)
4:BLUE(2935U)
5:GREEN
6:BLUE(287C)
7:DARK GREY (432U)
8:RED (186C)
9:GREEN (375C)
0:YELLOW (107C)



DEREN
SHENZHEN DEREN ELECTRONIC CO., LTD

DIM	TOL	DIM	TOL
x.	±0.35	x.	±2"
.x	±0.25	.x	±1"
.xx	±0.20		
.xxx	±0.15		

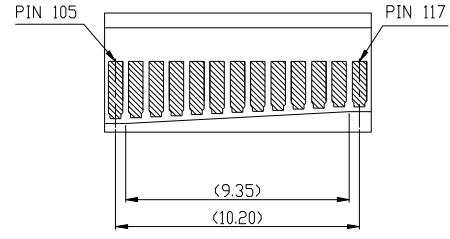
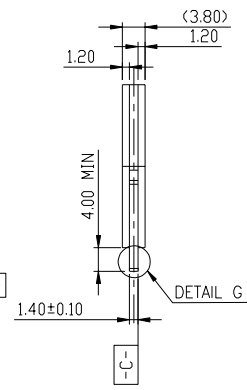
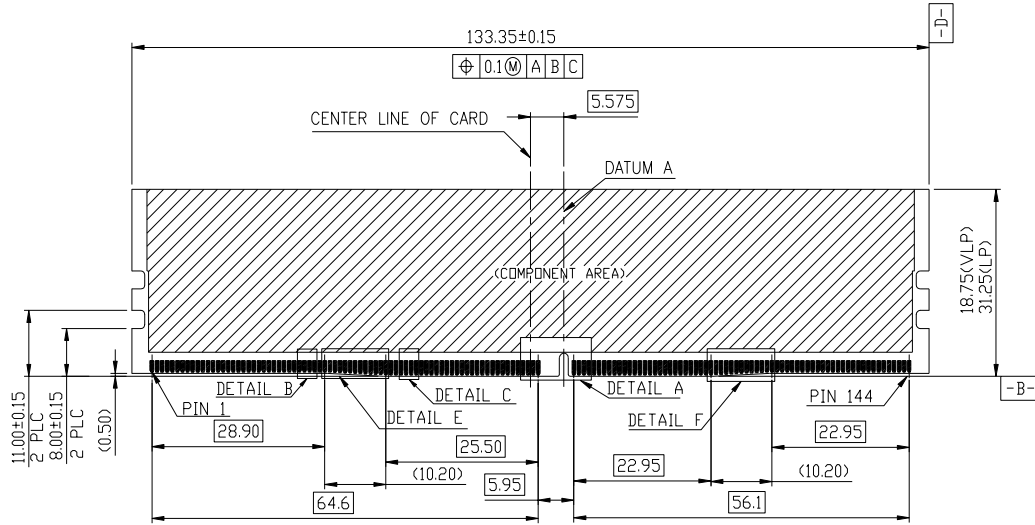
DRAW NO.	T-13-0440	DATE	2017/09/26
CHECK:	Bill	DATE	2017/09/26
APPROVAL:	Smark	DATE	2017/09/26

TITLE: DDR 4 288PIN CONNECTOR	
P/N: SEE PART NUMBER INFORMATION	
SHEET: 1/3	
SCALE: 1:1	UNIT: mm

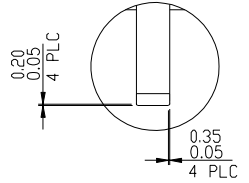
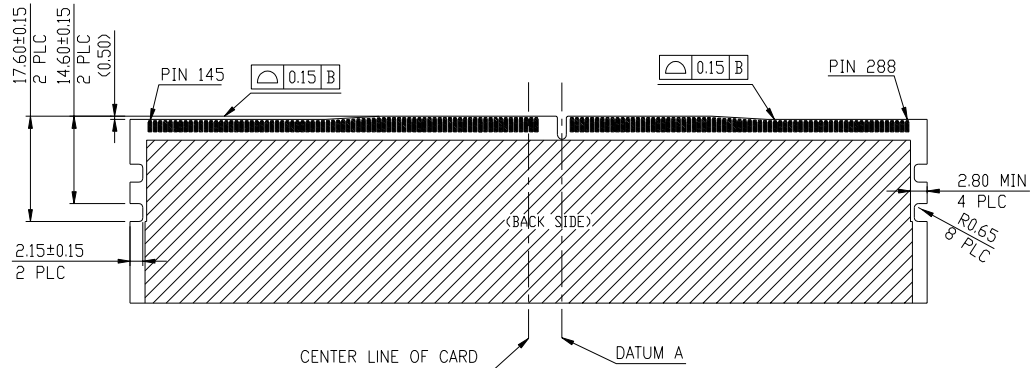
RECOMMENDED PCB LAYOUT&THICKNESS(CONNECTOR SIDE)(TOL:±0.05mm)

162.0 MAX

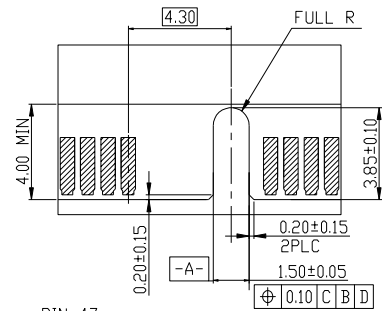
REV.	ECN NO.	LOCATION	DESCRIPTION	DATE	DESIGN
A			INITIAL RELEASE	2014/5/14	Heyunfeng
B	RD-EA-13-0319		ADD NEW P/N	2013/10/29	Heyunfeng
C	RD-EA-14-0250		MODIFY STRUCTURE	2014/06/04	Heyunfeng
D	RD-EA-14-0479		ADD NEW TAIL "L=2.4mm" TYPE, MODIFY DIMENSION, G.H AND H.W	2014/10/08	Heyunfeng
E	RD-EA-15-1045		UPDATE CUSTOMER DRAWING	2015/12/08	CZH
F	RD-EA-16-0095		ADD HOUSING COLOR	2016/03/11	CZH
G	RD-EA-16-0096		ADD HSG COLOR AND TRAY INF.	2016/10/08	ZOW



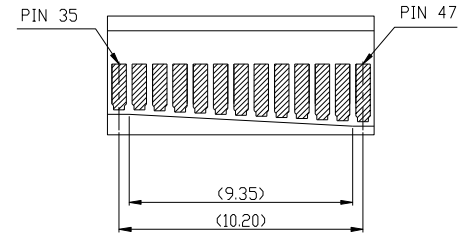
DETAIL F
SCALE 4:1



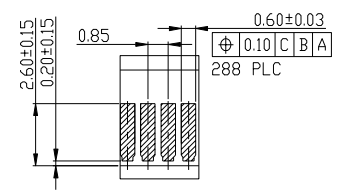
DETAIL G
SCALE 4:1



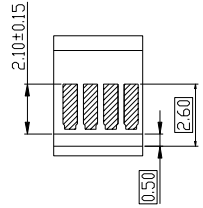
DETAIL A
SCALE 4:1



DETAIL E
SCALE 4:1



DETAIL C
SCALE 4:1



DETAIL B
SCALE 4:1

DIM	TOL	DIM	TOL
.x	±0.35	.x	±2*
.x	±0.25	.x	±1*
.xx	±0.20		
.xxx	±0.15		



DEREN
SHENZHEN DEREN ELECTRONIC CO., LTD

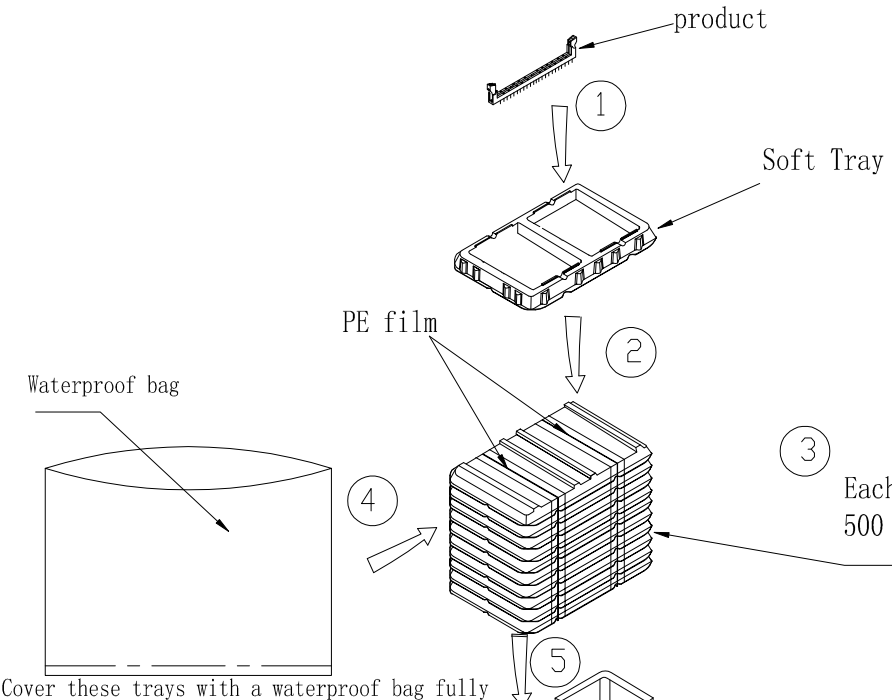
CUSTOMER DRAWING	DATE	TITLE: DDR 4 288PIN CONNECTOR	
DESIGN: Cay	2017/09/26	P/N: SEE PART NUMBER INFORMATION	
CHECK: Bill	2017/09/26	SHEET: 2/3	
APPROVAL: Smark	2017/09/26	SCALE: 1:1	UNIT: mm

DRAW NO.
T-13-0440

REV. G

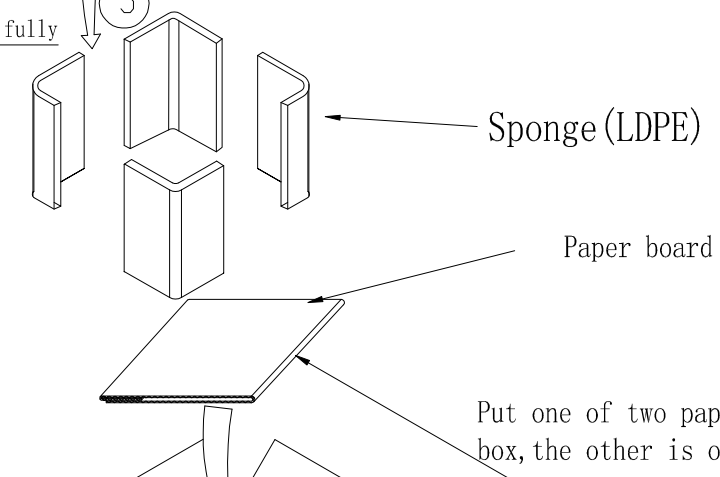
REV.	ECN NO.	LOCATION	DESCRIPTION	DATE	DESIGN
A			INITIAL RELEASE	2014/5/14	Heyunfeng
B	RD-EA-13-0319		ADD NEW P/N	2013/10/29	Heyunfeng
C	RD-EA-14-0250		MODIFY STRUCTURE	2014/06/04	Heyunfeng
D	RD-EA-14-0479		ADD NEW TAIL: "L=2.4mm" TYPE , MODIFY DIMENSION , G. W AND H. W	2014/10/08	Heyunfeng
E	RD-EA-15-1045		UPDATE CUSTOMER DRAWING	2015/12/08	CZH
F	RD-EA-16-0095		ADD HOUSING COLOR	2016/03/11	CZH
G	RD-EA-16-0096		ADD HSG COLOR AND TRAY INF.	2016/10/08	ZQW

5.4kg	3.5kg	50	10	500	40-42181-*****T**
GROSS WEIGHT	NET WEIGHT	PCS/ TRAY	TRAY/ BOX	PCS/ BOX	PART NUMBER

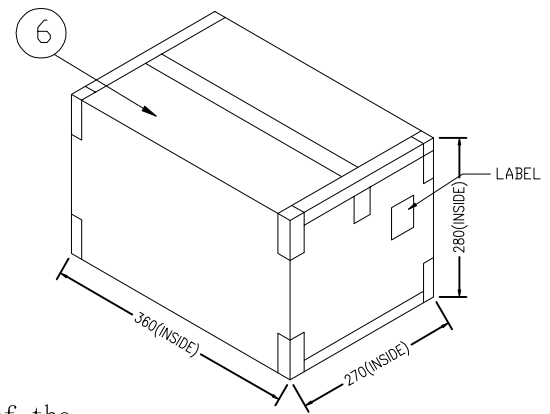


Each box has 10 soft trays and 1 soft lid. Each soft tray has 50 products. 500 products in a box in total, and then with PE film to fix around it.

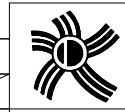
Cover these trays with a waterproof bag fully



Put one of two paper boards into bottom of the box, the other is on top of the soft trays.



DIM	TOL	DIM	TOL
x.		x.	
.x		.x	
.xx			



DEREN			
SHENZHEN DEREN ELECTRONIC CO., LTD			
CUSTOMER DRAWING	DATE	TITLE: DDR 4 288PIN CONNECTOR	
DESIGN: Cay	2017/09/26	P/N: SEE PART NUMBER INFORMATION	
CHECK: Bill	2017/09/26	SHEET: 3/3	
REV. G	APPROVAL: Smark	2017/09/26	SCALE: 1:1 UNIT: mm