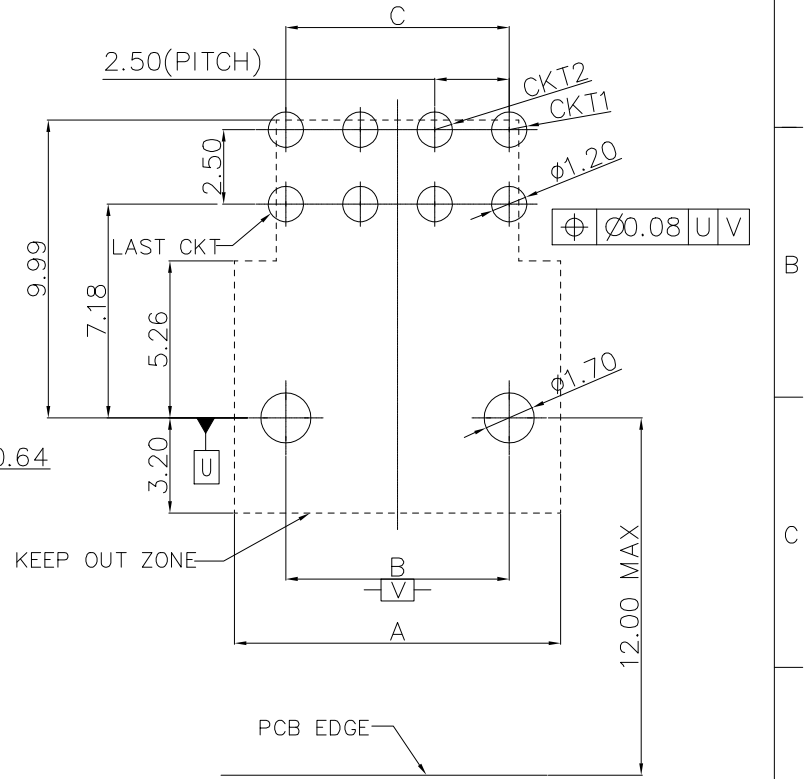
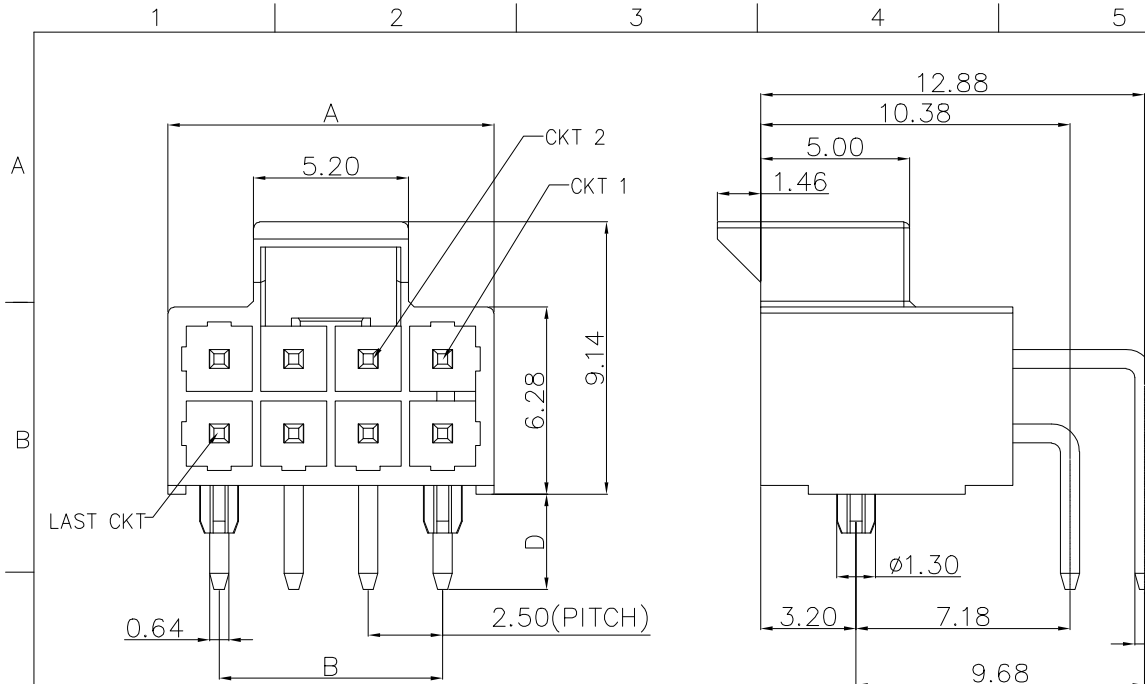
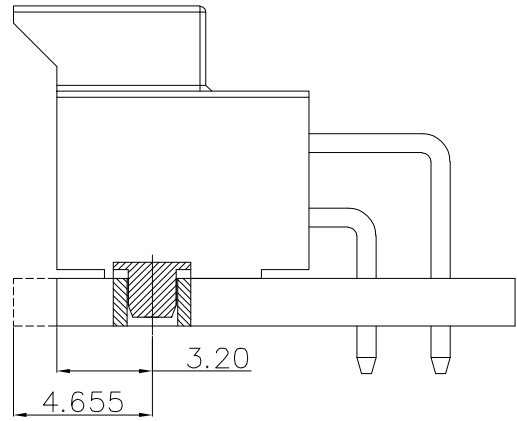


REV.	ECN NO.	LOCATION	DESCRIPTION	DATE	DESIGN
1			INITIAL RELEASE	2018.01.10	Alex_Z
3			ADD P/N	2021.12.28	Alex_Z



RECOMMENDED PCB LAYOUT(CONNECTOR SIDE VIEW)
THICKNESS=1.6 TO 2.4MM



OPTION 1: LATCH FLUSH WITH PCB EDGE
OPTION 2: HOUSING BODY FLUSH WITH PCB EDGE

NOTES:
PRODUCT MEETS CONTROLLED SUBSTANCES SPEC.
1. MATERIAL:
1.1 HOUSING: LCP.
1.2 TERMINAL: BRASS
2. FINISH:
2.1 CONTACT:
GOLD PLATING(SEE DESCRIPTION) ON CONTACT AREA.
80u" MIN. MATTE-TIN PLATING ON SOLDER TAIL AREA.
50u" MIN. NICKEL UNDERPLATING OVERALL.

DIM	TOL	DIM	TOL
.x	±0.35	.x	±2'
.x			
.xx	±0.25		

DEREN
SHENZHEN DEREN ELECTRONIC CO., LTD

CUSTOMER DRAWING	DATE	TITLE: HEADER OF NANO-FIT D/R R/A POWER CONNECTOR
DESIGN: Alex_Z	2021.12.28	P/N: SEE TABLE
CHECK:		SHEET: 1/3
APPROVAL:		SCALE: N/A UNIT: mm

E

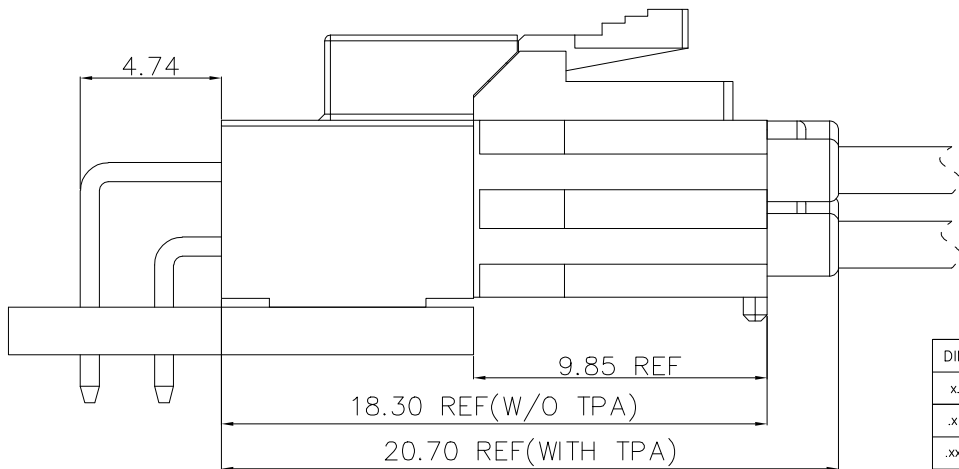
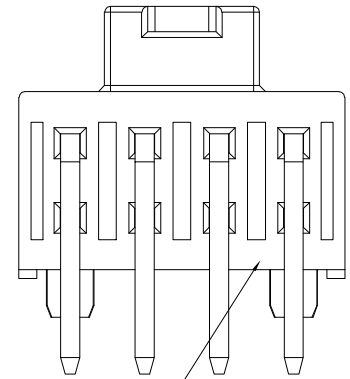
E

DIM.A	DIM.B	DIM.C	PIN NO.
5.94	2.50	3.14	4
8.44	5.00	5.64	6
10.94	7.50	8.14	8
13.44	10.00	10.64	10
15.94	12.50	13.14	12
18.44	15.00	15.64	14
20.94	17.50	18.14	16
23.44	20.00	20.64	18
25.94	22.50	23.14	20

5708BG-002 R * * ** T - **


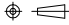
T: ACQUIESCENT
 PIN NO.:
 04: 4PIN

 20: 20PIN
 DIM D:
 0: 3.20mm
 1: 2.50mm
 CONTACTS PLATING AND COLOR:
 BLACK
 1: TIN 2: Au 15u" 3: Au 30u"
 NATURAL
 4: TIN 5: Au 15u" 6: Au 30u"
 R: RoHS
 H: HALOGEN-FREE
 WTB



IF ANY NUMBER MARK APPEARS ON THIS SURFACE, PLEASE DISREGARD IT, IT IS NO ANY FUCTION AND NO ANY RELATION TO PIN NUMBER, IT IS JUST FOR MOLDING IDENDIFICATION.

DIM	TOL	DIM	TOL
.x	±0.35	x.	±2'
.x			
.xx	±0.25		

 DEREN SHENZHEN DEREN ELECTRONIC CO., LTD		CUSTOMER DRAWING		DATE	TITLE: HEADER OF NANO-FIT D/R R/A POWER CONNECTOR
		DESIGN: Alex_Z	2021.12.28	P/N: SEE TABLE	
DRAW NO. ***	CHECK:			SHEET: 2/3	
REV. 3	APPROVAL:			SCALE: N/A	UNIT: mm

1 2 3 4 5 6 7 8

A

A

B

B

C

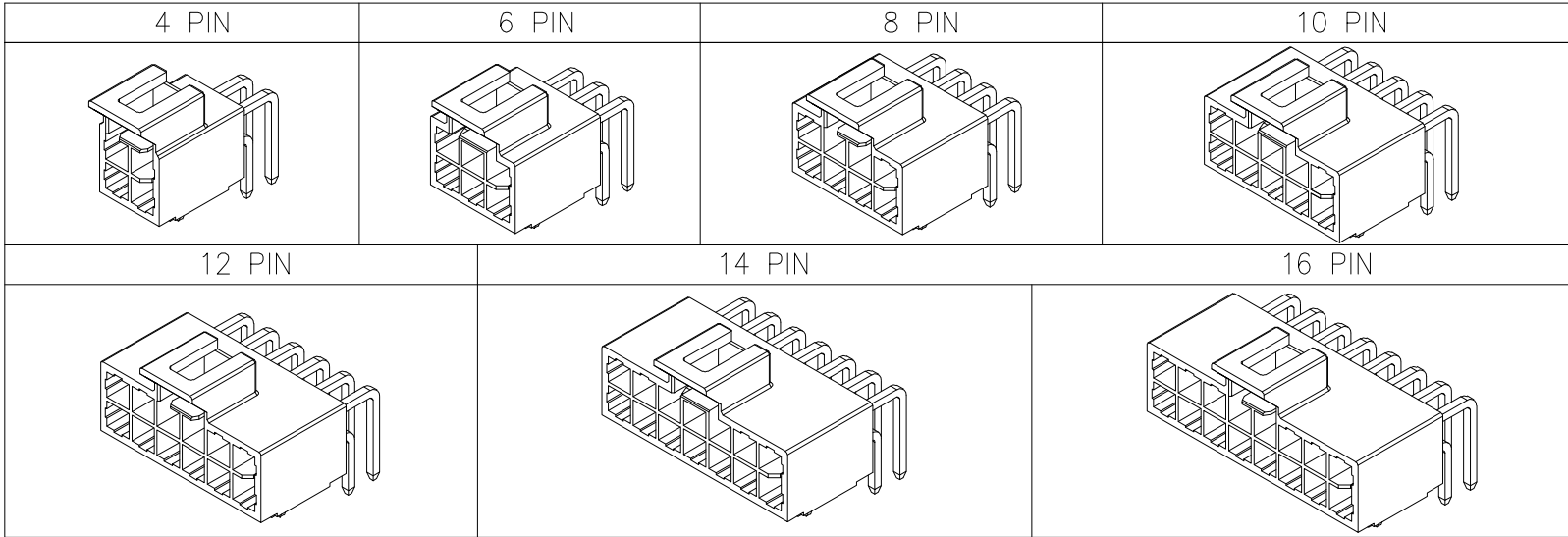
C

D

D

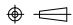
E

E



DIM	TOL	DIM	TOL
.x	±0.35	.x	±2'
.x			
.xx	±0.25		



DEREN			
SHENZHEN DEREN ELECTRONIC CO., LTD			
CUSTOMER DRAWING	DATE	TITLE: HEADER OF NANO-FIT D/R R/A POWER CONNECTOR	
DESIGN: Alex_Z	2021.12.28	P/N: SEE TABLE	
CHECK:		SHEET: 3/3	
APPROVAL:		SCALE: N/A	UNIT: mm
REV. 3			

1 2 3 4 5 6 7 8