

RoHS compliant



LA16G324B50MC



LA16G324B120MC

Weight : approx. 25 g

■ PART NUMBER DESIGNATION

LA16G 324B 50MC

Series name

Gear ratio

50 : 1/50
120 : 1/120

■ LIST OF PART NUMBER

| Gear ratio | Part number |
|------------|----------------|
| 1/50 | LA16G324B50MC |
| 1/120 | LA16G324B120MC |

※ Verify the above part numbers when placing orders.

LA16G324B

DC GEARED MOTORS

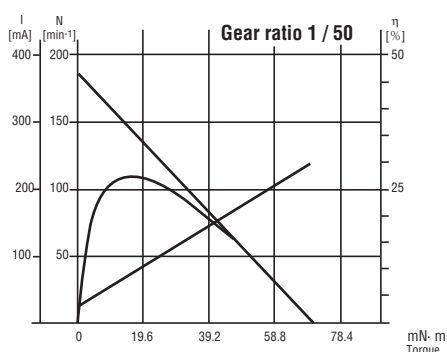
STANDARD SPECIFICATIONS

| Part number | Rated voltage | Rated torque | Rated speed | Rated current | No load speed | No load current | Starting torque | Starting current |
|----------------|---------------|--------------|-----------------------|---------------|-----------------------|-----------------|-----------------|------------------|
| LA16G324B50MC | 12 V | 14.7 mN·m | 150 min ⁻¹ | 65 mA | 190 min ⁻¹ | 20 mA | 70.6 mN·m | 230 mA |
| LA16G324B120MC | | 24.5 mN·m | 65 min ⁻¹ | 52 mA | 78 min ⁻¹ | | 166.6 mN·m | |

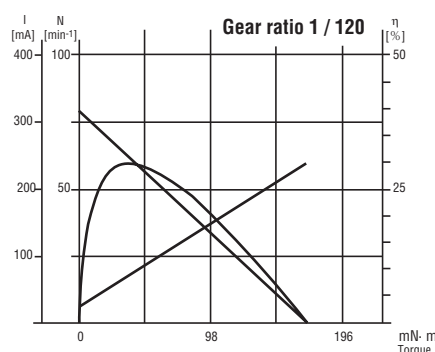
PERFORMANCE CURVES

(数値は定格運転条件での代表値です。)

LA16G324B50MC



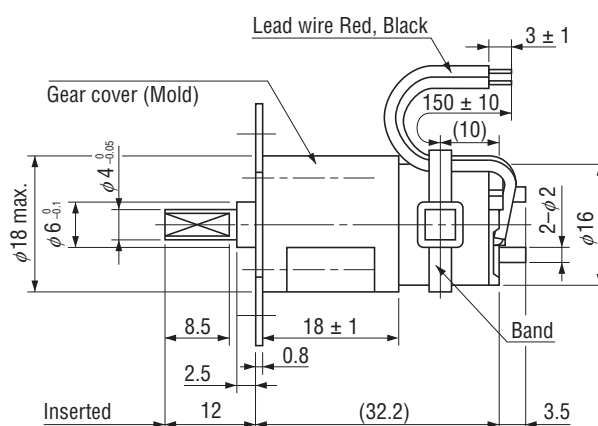
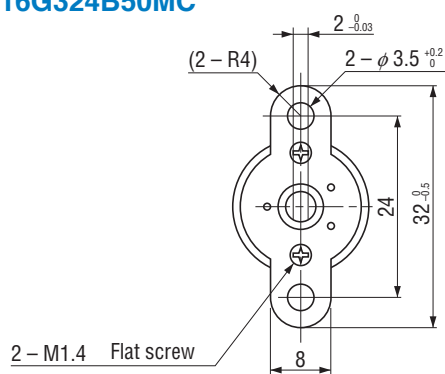
LA16G324B120MC



OUTLINE DIMENSIONS

(Unit: mm)

LA16G324B50MC



LA16G324B120MC

