

Datasheet

Insulated Crimp Spade Connector, 12 → 10 AWG, M4, Yellow Vinyl

RS Stock number [534-496](#)



Specifications:

1. Maximum Electric Rating: 75°C 600V

最高溫度: 75°C 耐壓 600V

2. Maximum Electric Current: (最大電流)

22-16AWG / 0.5-1.5mm²: 19A

16-14AWG / 1.5-2.5mm²: 27A

12-10AWG / 4-6mm²: 48A

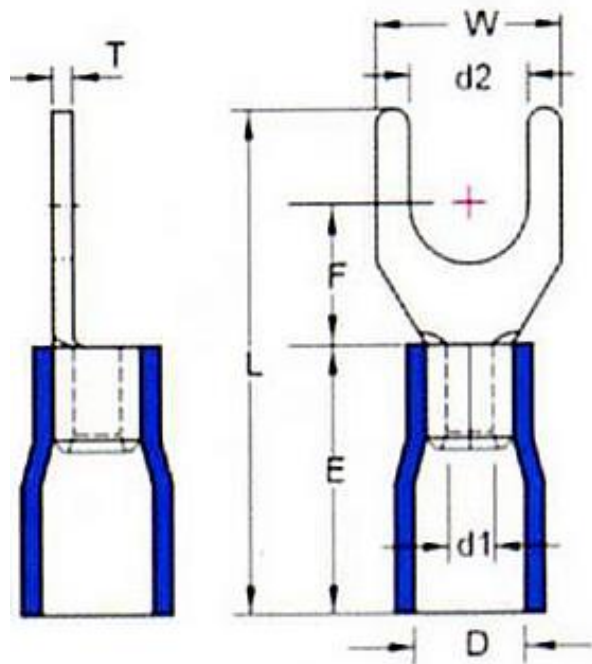
3. Terminal Body: Copper (端子材質: 紅銅)

4. Insulation: Vinyl (護套材質: PVC)

5. Plating: Tin (表面處理: 鍍錫)

VM--Flared Vinyl without copper sleeve

PIPG--Pre-insulated funnel Vinyl insulator with easy entry copper sleeve



Insulation Colour	Wire Range Mm ² /Awg	Stud Size	Dimension (mm)
Yellow	4-6mm ² /12-10AWG	#8/4.3	7.2/7.5/24.2/13.5/6.5/3.5/1.0