

## 一、产品特性：

- 1、规范：完全符合 IEEE802.3af/at 标准，class 0 分级
- 2、安全：具有输入过压/欠压、输出短路、过流、芯片过温保护功能
- 3、尺寸：14X35.6mm，专为嵌结构设计
- 4、兼容性：支持中间跨接法和末端跨接法
- 5、1500V 高压隔离（输入对输出）；
- 6、宽温工作：-25° 到 75° 稳定工作

## 二、系统框图

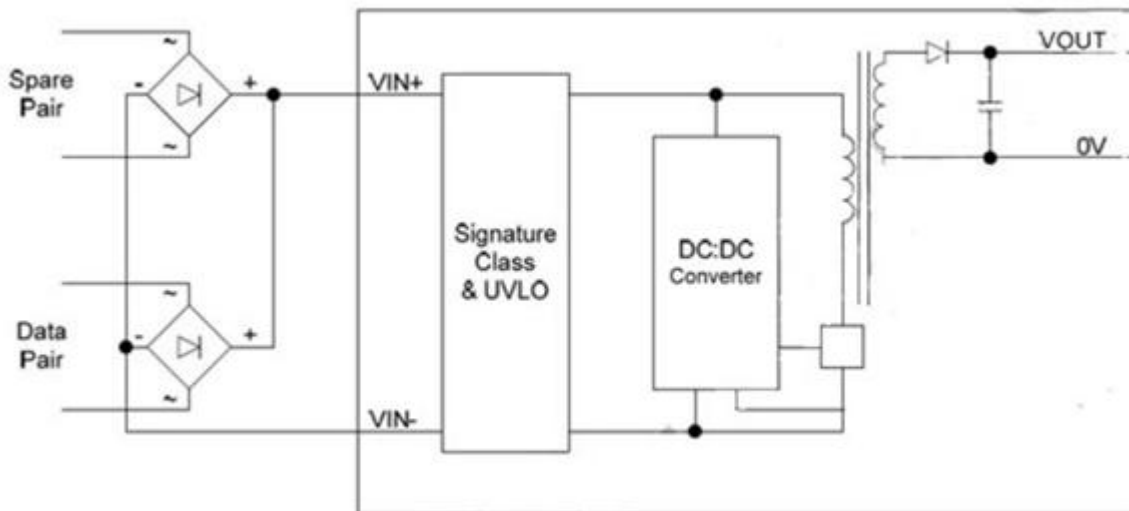
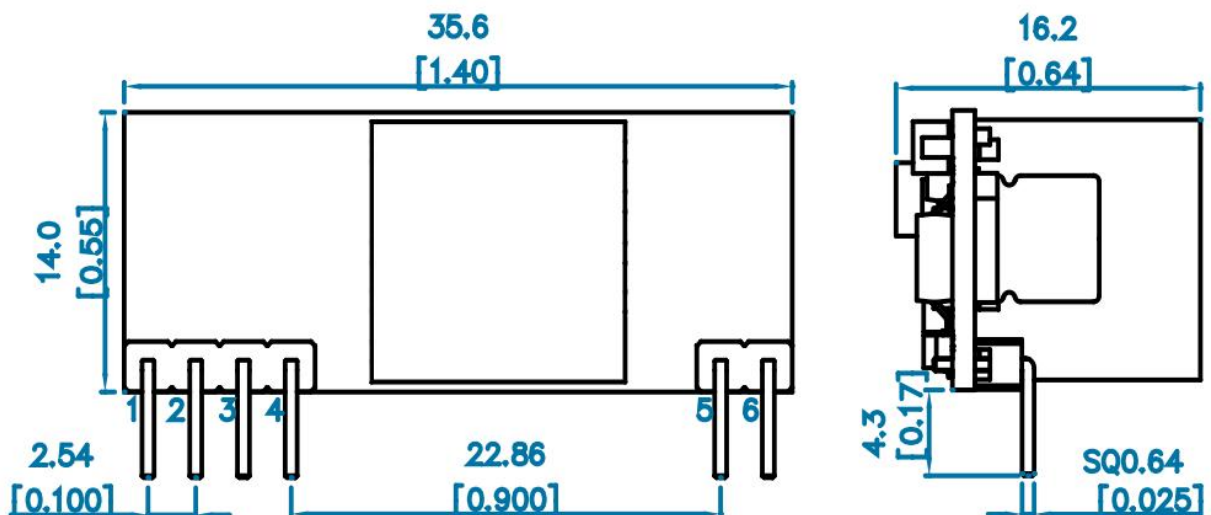


图1 系统框图

## 三、接口定义:

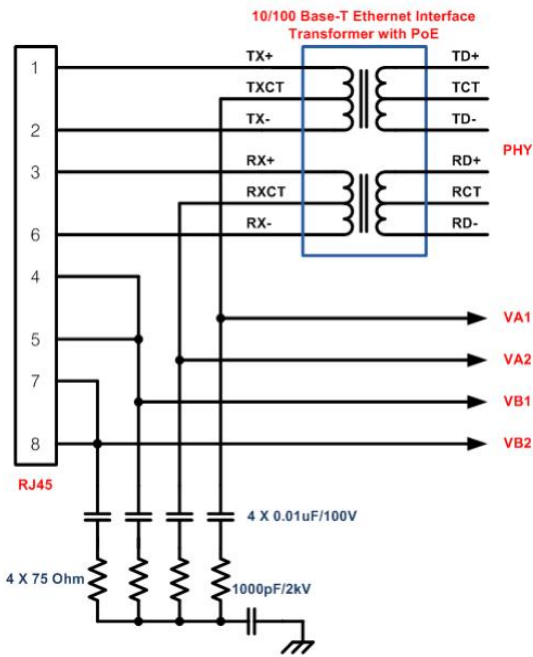
Pin #	Name	Description
1	VA1	<b>RX Input (1).</b> This input pin is used in conjunction with VA2 and connects to the centre tap of the transformer connected to pins 1 & 2 of the RJ45 connector (RX) - it is not polarity sensitive.
2	VA2	<b>TX Input (2).</b> This input pin is used in conjunction with VA1 and connects to the centre tap of the transformer connected to pins 3 & 6 of the RJ45 connector (TX) - it is not polarity sensitive.
3	VB1	<b>Direct Input (1).</b> This input pin is used in conjunction with VB2 and connects to pin 4 & 5 of the RJ45 connector - it is not polarity sensitive.
4	VB2	<b>Direct Input (2).</b> This input pin is used in conjunction with VB1 and connects to pin 7 & 8 of the RJ45 connector - it is not polarity sensitive.
5	GND	<b>DC Return.</b> This pin is the return path for the +VDC output.
6	VOUT	<b>DC Output.</b> This pin provides the regulated output from the DC/DC converter.

## 四、尺寸结构

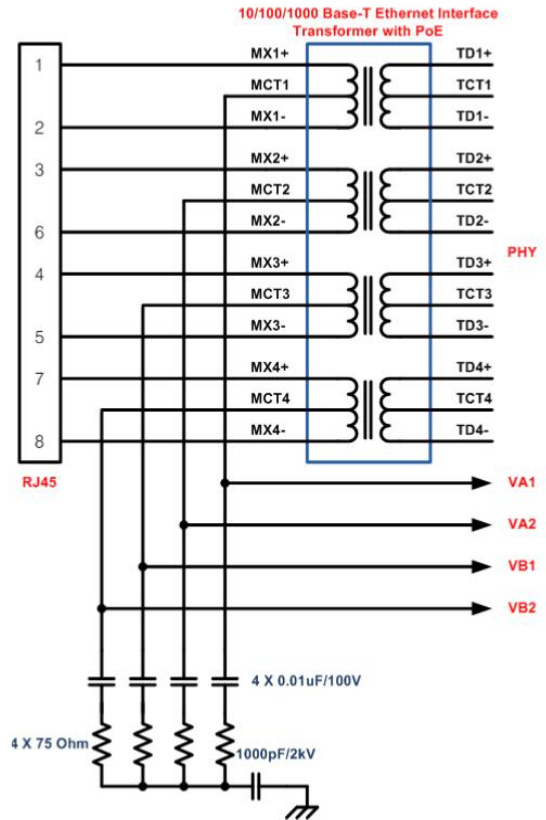


五、典型应用

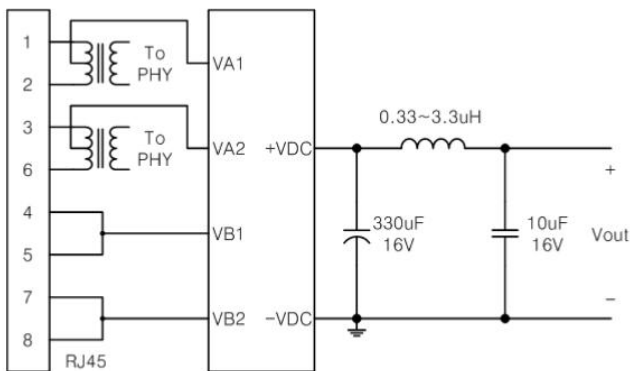
10/100 Base-T APPLICATION



10/100/1000 Base-T APPLICATION

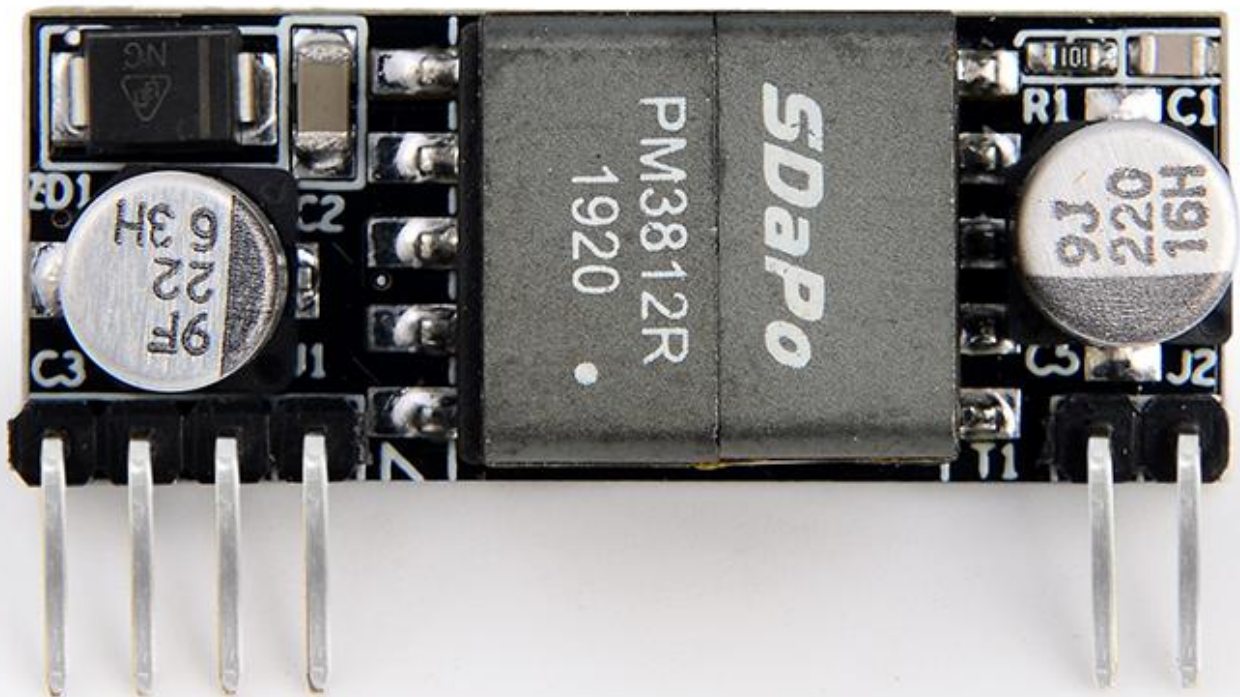


OPTIONAL EXTERNAL LC FILTER FOR LOWER RIPPLE AND NOISE



## ELECTRICAL SPECIFICATIONS

No	Item	Specification
1	输入电压	37~57V
2	输出电压	12V
3	最大输出电流	1.1A
4	纹波	200mVp-p
5	效能	85%
6	工作频率	180 KHz
7	输入对输出隔离	1.5 KV
8	拓扑接口	反激
9	工作温度	-25 ~ +75 °C



From here is 1-6  
从这里开始是1-6