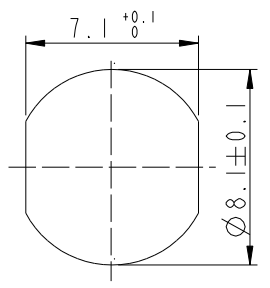
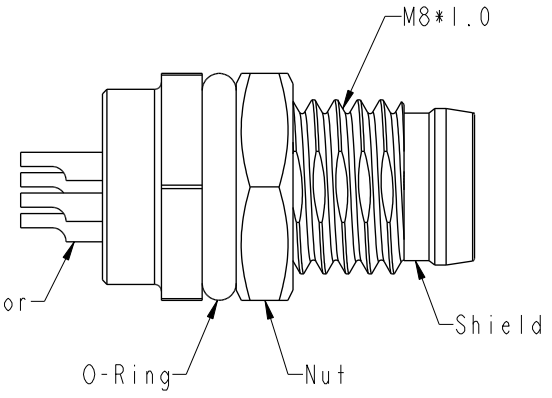
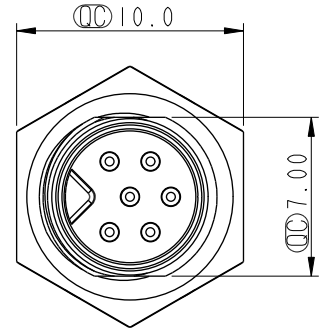
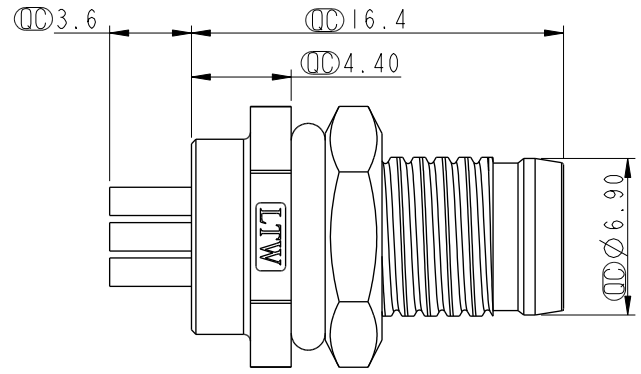
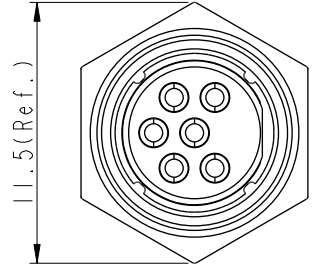


THIS DOCUMENT IS SUBJECT TO CHANGE WITHOUT NOTICE. IT IS CONFIDENTIAL AND A PROPERTY OF Amphenol LTW. DISCLOSURE TO THIRD PARTY HAS TO BE AUTHORIZED BY Amphenol LTW.

REV.	ECN NO.	DATE	SIGN	DESCRIPTION
B	C210686	2021/05/10	Vicky	$\triangle B$ X5
C	C221871	2022/12/02	Vicky	$\triangle C$ XI



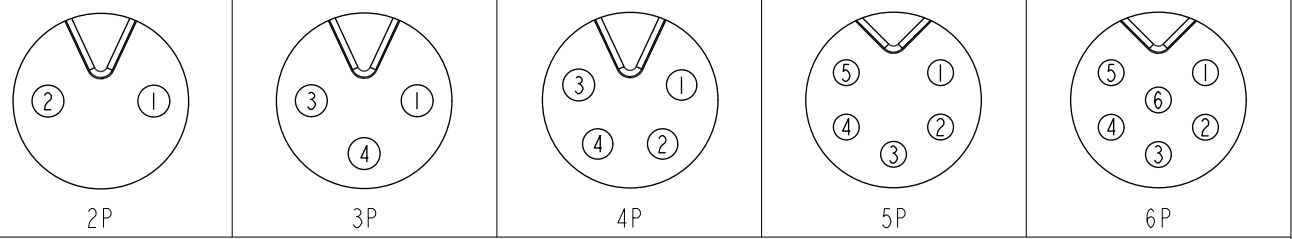
Recommended Panel Cut-Out



$\triangle B$ 8A-XXPMMS-SF7001

XX: No. Of Pin

- $\triangle B$ Note:
- * RoHS Compliant
 - * \varnothing Important dimension
 - $\triangle C$ * Waterproof rate: IP67, unmated
 - * Connector
 - Housing: Thermoplastic, Black
 - Pin: Copper alloy, Gold plated
 - * Shield: Metal
 - * Nut: Metal
 - * O-Ring: Rubber, Black
 - * For panel thickness max: 3.0mm
 - * Nut is packed separately in pe bag



$\triangle B$ Pin Assignments Front View

UNIT: mm			TITLE O SEN, M8 W/KEY RECEPTACLE, M, M, SOLDER
TOLERANCE .X ±0.25 .XX ±0.1 .XXX ±0.05 ANGLES ±1°	SCALE 3:1	SIZE A4	SHEET 1 OF 1
REV. C	WC-REV. A.7	\varnothing : Inspection item	

Amphenol LTW
安費諾亮泰企業股份有限公司

ITEM NO.	DRAWN BY	DATE
DWG NO. $\triangle B$ 8A-XXPMMS-SF7001	Mila	2013-12-19
CUSTOMER	CHECKED BY	DATE
ALTW	Jimmy	2013-12-19
	APPROVED BY	DATE
	Jerry	2013-12-19