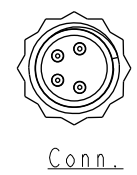
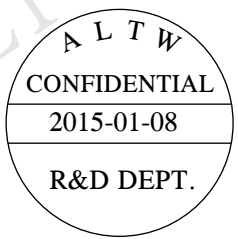
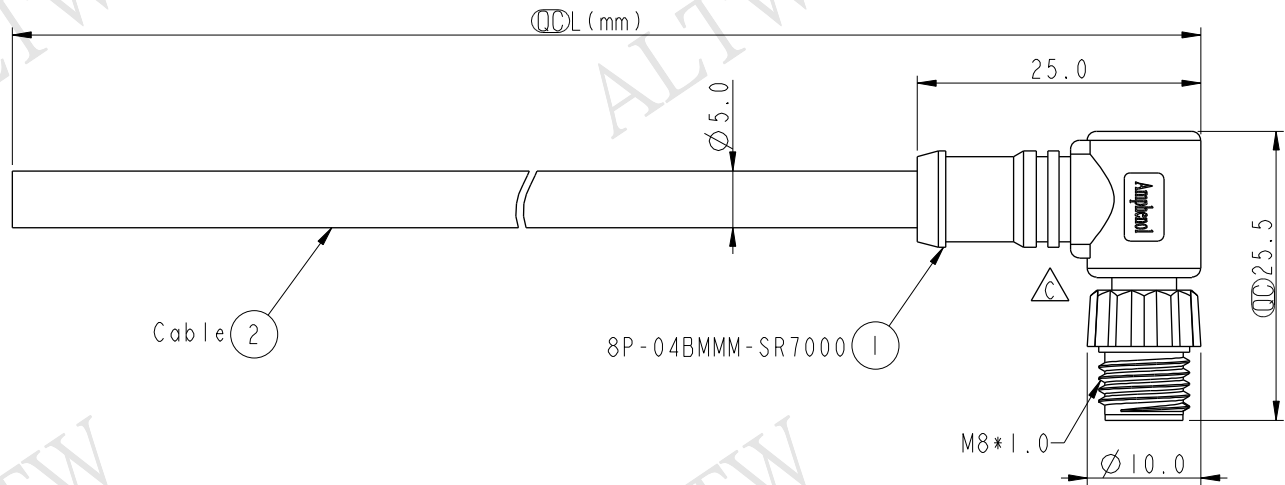
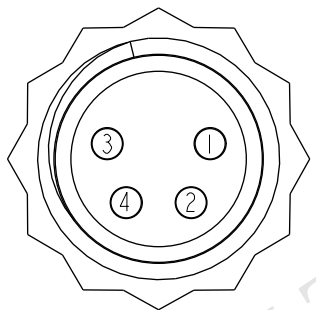


REV.	ECN NO.	DATE	SIGN	DESCRIPTION
B	LEN-920334~337	2009/02/16	Vicky	Update the drawing.
C	LEN1510297~300	2015/01/08	Sam	Update logo.



8P-04BMMM-SR7AXX
 XX: 01~99Meters
 01: 01Meter
 02: 02Meters
 ...
 99: 99Meters
 Cable Length(L): 01~99Meters



Pin Assignments
Front View

4	Black	黑
3	Blue	藍
2	White	白
1	Brown	棕
Conn.	Wire Color	
	Pin Out	

- Notes:
- * Q Important Dimension.
 - * Waterproof Rate: IP67.
 - * Connector: PU, Black.
 - * Female Pin: Copper Alloy, Gold Plated.
 - * Cable: UL2464 22AWG*4C+Talcum, Black, PVC Jacket, UV Resistant, OD=5.0mm.
 - * Cable Length Tolerance:
 - 01M: ±40mm
 - 02M~05M: ±60mm
 - 06M~10M: ±100mm
 - 11M~30M: ±200mm
 - 31M~99M: ±500mm

UNIT:mm	
TOLERANCE	
±0.5 mm	

TITLE Δ M8 Conn Cable Screw 4P M Conn M Pin			
SCALE 3:2	SIZE A4	SHEET 1 OF 1	
REV. C	WC-REV. A.1	Q : Inspection item	

Amphenol LTW
 安費諾亮泰企業股份有限公司

ITEM NO	DRAWN BY	DATE
DWG NO	CHECKED BY	DATE
CUSTOMER	APPROVED BY	DATE
8P-04BMMM-SR7AXX	Sam	2015-01-08
ALTW	Vicky	2015-01-08
	Rita	2015-01-08

THIS DOCUMENT IS SUBJECT TO CHANGE WITHOUT NOTICE. IT IS CONFIDENTIAL AND A PROPERTY OF Amphenol LTW. DISCLOSURE TO THIRD PARTY HAS TO BE AUTHORIZED BY Amphenol LTW.